



ACCURATE
MANUFACTURED
PRODUCTS
GROUP

 **Left-Handed
Thread Fasteners**



Visit us online at ampg.com or email sales@ampg.com

8090 Woodland Drive
Indianapolis, IN 46278

p: 317.472.9000
f: 317.472.9010

Longevity

AMPG is a privately-owned family business started by current management in 1987. With the second generation in the business, already for many years, we are realizing a future of serving our customers, collaborating with our employees, and contributing to a vibrant domestic manufacturing economy.

Philosophy

We're proud to be an American manufacturer dedicated to innovating, designing, and providing solutions for our diverse customer base. Our philosophy is simple...

...to provide unparalleled customer service, produce beautiful, precise parts and keep inventory levels high to ship at a moment's notice.

We are committed to our customers and our products.

Stock & Custom...**FAST**

As a precision manufacturer of specialized fasteners, architectural hardware, mechanical components and industrial accessories, AMPG stocks over 35,000 products. We also offer custom manufacturing supported by design, product testing and engineering services. To see the latest and most complete catalog of our over 35,000 different items, visit www.ampg.com.



How to Buy Our Products

We go to market in partnership with the largest domestic and international distributors in the world, and we thank them for their continued support. To find a distributor near you, visit www.ampg.com/distributors.

Contact Us



www.ampg.com



sales@ampg.com



317-472-9000



317-472-9010



@AMPG.USA



@AMPG_USA



@ampg_design



@AMPG

Left Hand Catalog Index

Page	Description
i	About Our Materials
1-2	Shoulder Screws – Inch
3	Button Head Machine Screws – Inch
4	82° Flat Head Screws – Inch
5	90° Flat Head Screws – Metric
6-9	Rod End Bolts – Inch & Metric
10-13	External Thread Turnbuckle Rods – Inch & Metric
14-17	Internal Thread Turnbuckle Rod – Inch & Metric
18-20	Thin Hex Nuts – Inch & Metric

About Our Materials



Aluminum

- Aluminum has the strength of mild steel with one third the weight.
- Resists corrosion in wet environments.
- Lightweight material used for fittings, hardware and fasteners.
- Nonmagnetic.

Brass

- Brass is a softer material approximately two-thirds copper and one-third zinc.
- Provides good resistance to rust and atmospheric corrosion.
- Friction-resistant material used for gears, bearings, fasteners and valves.
- Nonmagnetic.

Stainless Steel 18-8 (303)

- Type 303 stainless offers excellent corrosion resistance.
- Resists chemicals, most dyes, food and nitric acid.
- Corrosion-resistant material used for screws, bushings, nuts and hardware.
- May be mildly magnetic.

Stainless Steel 316 (316/316L)

- Type 316 stainless offers superior corrosion resistance than Type 303 stainless.
- Resists salt water, acids, chlorides, alkalis and other industrial solvents.
- Low-maintenance material used in commercial kitchens and food processing.
- May be mildly magnetic.

**AMPG uses dual certified Type 316/316L stainless material. Meets all 316 stainless properties but has lower carbon content, making it more suitable for welding.*

Steel Alloy 4140/41L40 (Alloy Steel)

- Alloy 4140 is a primary material used high strength fasteners and components.
- Material requires a finish to resist rust, such as black-oxide treatment or zinc plating.
- High-strength material that exceed Grade 8 used for socket screws, studs and components, only after heat treatment.
- Magnetic.

Material Specifications

Some guidelines for choosing between the materials we produce are shown below.

Material Type	Specification	Tensile, psi	Yield, psi	Estimated Shear, psi	Elongation	Brinell Hardness	Rockwell Hardness
Aluminum 6061-T6	ASTM B211	45,000	40,000	22,500	17%	BHN 95	B56
Brass 360	ASTM B16	58,000	45,000	29,000	25%	BHN 143	B78
Nickel Alloy 405 (Monel)	ASTM B164	85,000	60,000	42,500	24%	BHN 163	B85
Stainless Steel 18-8 (303)	ASTM A582	90,000	35,000	45,000	50%	BHN 160	B83
Stainless Steel 316 (316/316L)	ASTM A276	75,000	30,000	37,500	45%	BHN 160	B83
Steel 12L14	ASTM A108	78,000	60,000	39,000	15%	BHN 160	B84
Steel Alloy C4140/41L40 (Alloy)	ASTM A108 Cold ASTM A108 Thru Hard	105,000 140,000	85,000 n/a	52,500 70,000	15% n/a	BHN 187 BHN 300	B91 C32

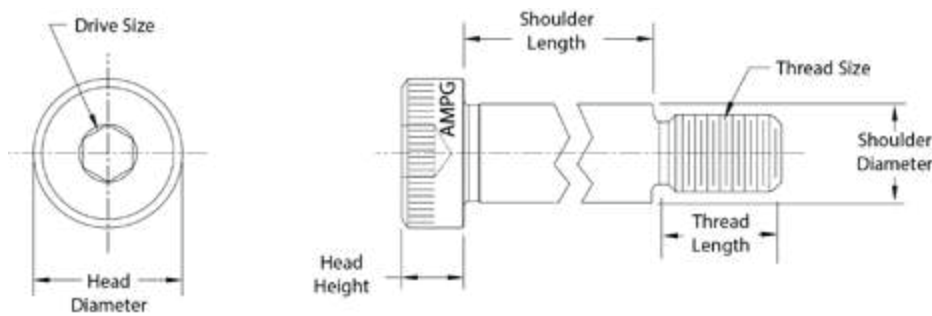
Note: Listed Mechanical Properties are obtained from various suppliers and is intended for comparison of materials, only. Values are based on raw material specifications. AMPG assumes no obligation and liability for the accuracy of this information. For critical applications, product testing may be appropriate.

AMPG 303, AMPG 316, AMPG 661, AMPG 360 are ® Registered Trademarks of AMPG (Accurate Manufactured Products Group) and may not be used or reproduced without our permission.

Left-Hand Threaded Knurled Head Shoulder Screws — Inch

Also known as stripper bolts, they're commonly used as a stationary guide for stripper plates, as a pivot point for moving parts, and as a shaft for rolling parts. Shoulder screws have an unthreaded shoulder made with an undersized tolerance to fit most machinery and equipment. The unthreaded shoulder is held to a precise diameter and length. Screws are machined with a precision hex socket for maximum wrenching strength, knurled heads for sure finger grip, and an undercut portion between the thread and shoulder, allowing a close fit. The shoulder diameter tolerance is $-.002$ to $-.004$ inches and the shoulder length tolerance is $\pm .005$ inches. ASME tolerance shoulder screws have a Class 3A thread fit. *Heads are knurled, stamped, or both to provide finger grip.

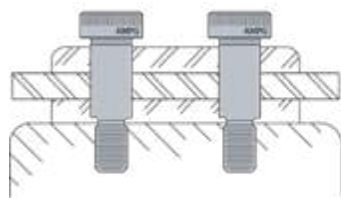
Tighten these shoulder screws by turning them to the left; once fastened, they resist loosening from counterclockwise motion and vibration. These fasteners are made in the USA with DFARS compliant material. Shoulder diameters of 1/8, 5/32 and 3/16 meet our internal specification AMPG 2013 LH.01. Shoulder diameters of 1/4 and larger meet or exceed ANSI/ASME B18.3.



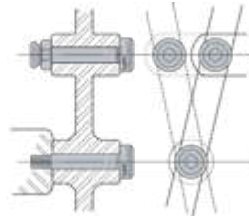
Dimensions and Tolerance Table — Inch

Shoulder Diameter	Shoulder Diameter Min. to Max	Head Diameter	Head Height	Drive Size	*Head Appearance
1/8	.121 to .123	1/4	1/8	5/64	Knurl Only (Screws produced prior to 2/1/2021 may have finger-grip AMPG Mark only)
5/32	.152 to .154	9/32	1/8	3/32	
3/16	.183 to .185	5/16	5/32	3/32	
1/4	.246 to .248	3/8	3/16	1/8	Head Mark and Knurl
5/16	.308 to .310	7/16	7/32	5/32	
3/8	.371 to .373	9/16	1/4	3/16	
1/2	.496 to .498	3/4	5/16	1/4	

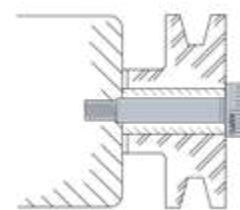
Head appearance may be knurled and/or head marked. 18-8 Stainless Steel is manufactured from Type 303 Stainless Steel Bar.



Shoulder Screw as a Guide



Shoulder Screw as a Pivot Point



Shoulder Screw as a Shaft

Left Hand Threaded Knurled Head Shoulder Screw – Inch

18-8 Stainless Steel – Hex Drive



STR78818C02

1/8 Shoulder Diameter

Shoulder Dia. x Lg.	Thread Size x Lg.	18-8 SS Part Number
1/8 x 1/8		STR78818C02
1/8 x 3/16	4-40 x 5/32	STR78818C03
1/8 x 1/4		STR78818C04
1/8 x 3/8		STR78818C06
1/8 x 1/2	4-40 x 5/32	STR78818C08



STR78853C02

5/32 Shoulder Diameter

Shoulder Dia. x Lg.	Thread Size x Lg.	18-8 SS Part Number
5/32 x 1/8		STR78853C02
5/32 x 3/16	6-32 x 3/16	STR78853C03
5/32 x 1/4		STR78853C04
5/32 x 3/8		STR78853C06
5/32 x 1/2	6-32 x 3/16	STR78853C08



STR78831C02

3/16 Shoulder Diameter

Shoulder Dia. x Lg.	Thread Size x Lg.	18-8 SS Part Number
3/16 x 1/8		STR78831C02
3/16 x 3/16	8-32 x 3/16	STR78831C03
3/16 x 1/4		STR78831C04
3/16 x 3/8		STR78831C06
3/16 x 1/2		STR78831C08
3/16 x 3/4	8-32 x 3/16	STR78831C12
3/16 x 1		STR78831C16



STR78814C04

1/4 Shoulder Diameter

Shoulder Dia. x Lg.	Thread Size x Lg.	18-8 SS Part Number
1/4 x 1/4		STR78814C04
1/4 x 3/8	10-24 x 3/8	STR78814C06
1/4 x 1/2		STR78814C08
1/4 x 5/8		STR78814C10
1/4 x 3/4	10-24 x 3/8	STR78814C12
1/4 x 1		STR78814C16



STR78851C04

5/16 Shoulder Diameter

Shoulder Dia. x Lg.	Thread Size x Lg.	18-8 SS Part Number
5/16 x 1/4		STR78851C04
5/16 x 3/8	1/4-20 x 7/16	STR78851C06
5/16 x 1/2		STR78851C08
5/16 x 5/8		STR78851C10
5/16 x 3/4	1/4-20 x 7/16	STR78851C12
5/16 x 1		STR78851C16



STR78838C08

3/8 Shoulder Diameter

Shoulder Dia. x Lg.	Thread Size x Lg.	18-8 SS Part Number
3/8 x 1/2		STR78838C08
3/8 x 3/4	5/16-18 x 1/2	STR78838C12
3/8 x 1		STR78838C16
3/8 x 1-1/2		STR78838C24
3/8 x 2	5/16-18 x 1/2	STR78838C32

1/2 Shoulder Diameter



STR78812C08

Shoulder Dia. x Lg.	Thread Size x Lg.	18-8 SS Part Number
1/2 x 1/2		STR78812C08
1/2 x 3/4	3/8-16 x 5/8	STR78812C12
1/2 x 1		STR78812C16
1/2 x 1-1/2		STR78812C24
1/2 x 2	3/8-16 x 5/8	STR78812C32

CATVer.01.A

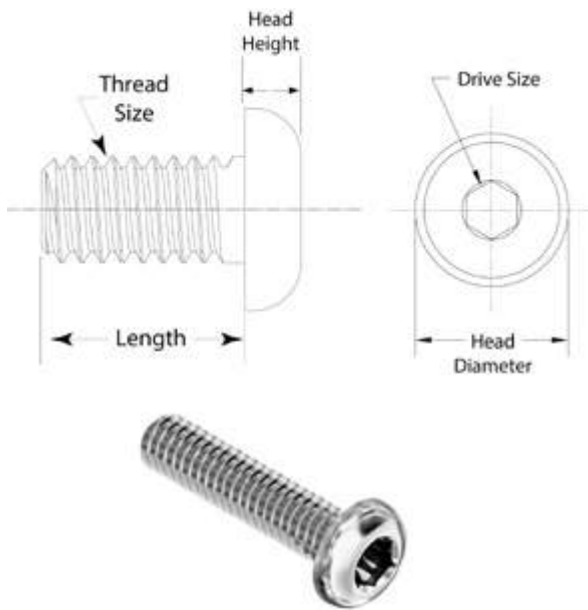
Left-Hand Button Head Machine Screw – Inch

18-8 & 316 SS– Hex Drive

Product Information

Tighten these screws by turning them to the left; once fastened, they prevent loosening from counterclockwise motion. These high-performance fasteners are made from 18-8 and 316 stainless steel. 18-8 stainless steel has excellent corrosion resistance and may be mildly magnetic. The 316 stainless steel is our most corrosion resistant stainless steel that withstands solvents and pitting caused by chloride and sulfur. May be mildly magnetic. Screws have a Class 2A thread fit and are fully threaded. Length is measured from under the head.

- AMPG products are made in the USA, precision machined from DFARS compliant material, and lot traceable.
- Screws meet AMPG's internal specifications of AMPG 2016 ZBM.01
- All stainless steel screws adhere to environmental regulations established by European Union RoHS directive.



Dimensions Table – Inch			
Thread Size	Head Diameter (Max. to Min.)	Head Height (Max. to Min.)	Drive Size
4-40	.213 - .201	.059 - .051	1/16
6-32	.262 - .250	.073 - .063	5/64
8-32	.312 - .298	.087 - .077	3/32
10-32	.361 - .347	.101 - .091	1/8
1/4-20	.437 - .419	.132 - .122	5/32

8-32 Thread Size

Length	18-8 SS Part Number	316 SS Part Number
3/8	ZBM176LH	ZBM176-316LH
1/2	ZBM178LH	ZBM178-316LH
3/4	ZBM181LH	ZBM181-316LH
1	ZBM183LH	ZBM183-316LH

10-32 Thread Size

Length	18-8 SS Part Number	316 SS Part Number
3/8	ZBM276LH	ZBM276-316LH
1/2	ZBM278LH	ZBM278-316LH
3/4	ZBM281LH	ZBM281-316LH
1	ZBM283LH	ZBM283-316LH

4-40 Thread Size

Length	18-8 SS Part Number	316 SS Part Number
1/4	ZBM106LH	ZBM106-316LH
3/8	ZBM108LH	ZBM108-316LH
1/2	ZBM110LH	ZBM110-316LH
3/4	ZBM113LH	ZBM113-316LH

6-32 Thread Size

Length	18-8 SS Part Number	316 SS Part Number
3/8	ZBM126LH	ZBM126-316LH
1/2	ZBM128LH	ZBM128-316LH
3/4	ZBM131LH	ZBM131-316LH
1	ZBM133LH	ZBM133-316LH

1/4-20 Thread Size

Length	18-8 SS Part Number	316 SS Part Number
3/8	ZBM386LH	ZBM386-316LH
1/2	ZBM388LH	ZBM388-316LH
3/4	ZBM391LH	ZBM391-316LH
1	ZBM393LH	ZBM393-316LH

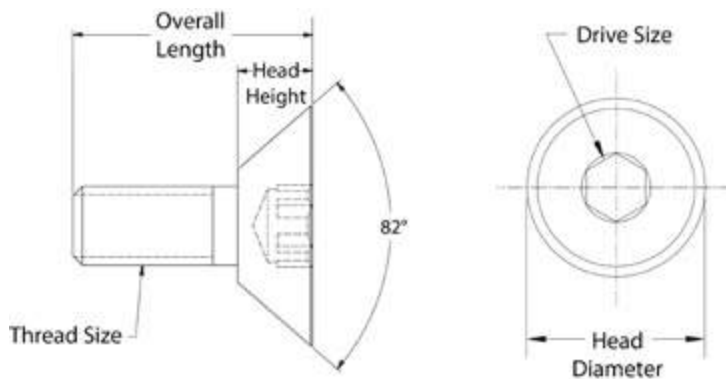
CAT.Ver.02.A

Left-Hand 82° Flat Head Screw – Inch 18-8 SS – Hex Drive

Product Information

Flat head screws are designed for light-duty fastening applications. They're angled under the head to sit flush within countersunk holes. Flat head screws have a standard 82° bevel. Passivated stainless steel screws provide added protection against oxidation and corrosion. Class 3A thread fit. Length is measured from the top of the head.

- AMPG products are made in the USA, precision machined from DFARS compliant material, and lot traceable.
- 18-8 SS screws meet AMPG's internal specifications specifications of AMPG 2013.ZF.01
- Made from stainless steel, these screws have good chemical resistance and maybe mildly magnetic.



Dimensions Table – Inch

Thread Size	Head Diameter	Head Height	Drive Size
4-40	.255	.083	1/16
6-32	.307	.097	5/64
8-32	.359	.112	3/32
10-32	.411	.127	1/8
1/4-20	.531	.161	5/32

18-8 Stainless Steel is manufactured from Type 303 Stainless Steel Bar.



4-40 Thread Size

Length	18-8 SS Part Number
1/4	ZFLH60104C04
1/2	ZFLH60104C08

8-32 Thread Size

Length	18-8 SS Part Number
1/2	ZFLH60108C08
3/4	ZFLH60108C12

6-32 Thread Size

Length	18-8 SS Part Number
1/4	ZFLH60106C04
1/2	ZFLH60106C08

10-32 Thread Size

Length	18-8 SS Part Number
1/2	ZFLH60110F08
3/4	ZFLH60110F12

1/4-20 Thread Size

Length	18-8 SS Part Number
1/2	ZFLH60114C08
1	ZFLH60114C16

CATVer.01.A

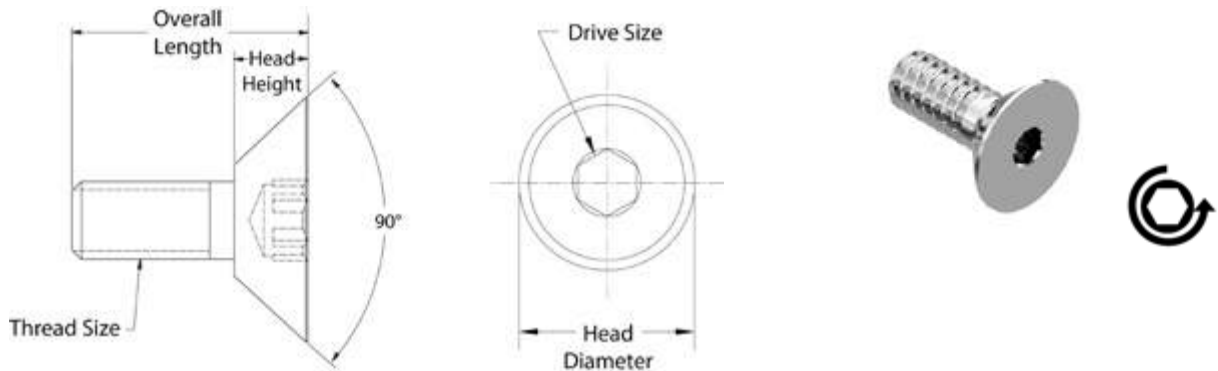
90° Flat Head Left Hand Socket Screws – Metric

18-8 SS– Hex Drive

Product Information

Prevent loosening in parts subject to counterclockwise motion. These screws tighten when turned to the left. Flat head screws are designed for light-duty fastening applications. They're angled under the head to sit flush within countersunk holes. Metric flat head screws have a standard 90° bevel. Passivated stainless steel screws provide added protection against oxidation and corrosion. Class 6g thread fit. Length is measured from the top of the head.

- AMPG products are made in the USA, precision machined from DFARS compliant material, and lot traceable.
- Screws meet AMPG's internal specifications specifications 18-8 SS (A2) hex drive meets the AMPG 2017 ZF.02.
- Made from stainless steel, these screws have good chemical resistance and maybe mildly magnetic.



Dimensions Table – Metric, mm

Thread Size	Head Diameter	Head Height	Drive Size
M3 x 0.5mm	6.00	1.70	2
M4 x 0.7mm	8.00	2.30	2.5
M5 x 0.8mm	10.00	2.80	3
M6 x 1mm	12.00	3.30	4
M8 x 1.25mm	16.00	4.40	5

18-8 Stainless Steel is manufactured from Type 303 Stainless Steel Bar.

M3 x 0.5mm Thread Size

Length	18-8 SS Part Number
6	ZFLH601M3X6
10	ZFLH601M3X10

M4 x 0.7mm Thread Size

Length	18-8 SS Part Number
8	ZFLH601M4X8
12	ZFLH601M4X12

M5 x 0.8mm Thread Size

Length	18-8 SS Part Number
10	ZFLH601M5X10
16	ZFLH601M5X16

M6 x 1mm Thread Size

Length	18-8 SS Part Number
12	ZFLH601M6X12
20	ZFLH601M6X20

M8 x 1.25mm Thread Size

Length	18-8 SS Part Number
16	ZFLH601M8X16
25	ZFLH601M8X25

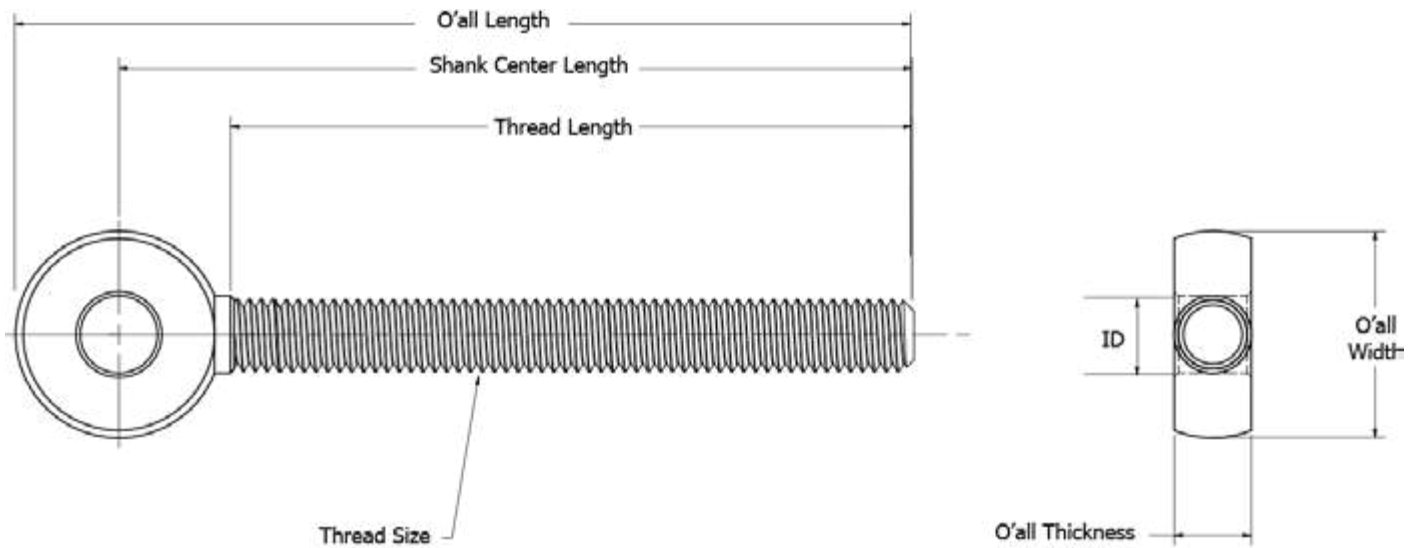
CAT.Ver.01.A

Left Hand Rod End Bolts — Inch & Metric

18-8 SS, Steel

Product Information

Rod End Bolts also known as swing blots, pivoting bolts and hinge eyebolts. These threaded bolts can be cut to length to fit your application. Left-hand threads tightens when turned counterclockwise. Class 2A-UNC. Made from DFARS & RoHs compliant materials.



CAT.Ver.01.A

18-8 SS

Left Hand Rod End Bolts — Inch

18-8 SS



Thread Size	Shank Center Lg.	ID	Thread Lg.	O'all Length	O'all Wd.	O'all Thickness	18-8 SS Part Number
6-32	3/4	1/8	1/2	29/32	5/16	5/32	ZEB10-LH
	1	1/8	3/4	1-5/32	5/16	5/32	ZEB12-LH
	1-1/2	1/8	1-1/4	1-21/32	5/16	5/32	ZEB14-LH
	2	1/8	1-3/4	2-5/32	5/16	5/32	ZEB16-LH
8-32	1	5/32	3/4	1-5/32	5/16	3/16	ZEB20-LH
	1-1/2	5/32	1-1/4	1-21/32	5/16	3/16	ZEB22-LH
	2	5/32	1-3/4	2-5/32	5/16	3/16	ZEB24-LH
10-32	1-1/2	3/16	1	1-3/4	1/2	5/16	ZEB30-LH
	2	3/16	1-1/2	2-1/4	1/2	3/16	ZEB32-LH
	3	3/16	2-1/2	3-1/4	1/2	3/16	ZEB34-LH
1/4-20	2	3/16	1-1/2	2-5/16	5/8	1/4	ZEB40-LH
	3	3/16	2-1/2	3-5/16	5/8	1/4	ZEB42-LH
	1-1/2	1/4	1-1/8	1-27/32	5/8	1/4	ZEB50-LH
	2	1/4	1-1/2	2-5/16	5/8	1/4	ZEB52-LH
1/4-20	3	1/4	2-1/2	3-5/16	5/8	1/4	ZEB54-LH
	3-1/2	1/4	3	3-13/16	5/8	1/4	ZEB56-LH
	5	1/4	4.5	5-5/16	5/8	1/4	ZEB58-LH
	6	1/4	5-5/8	6-5/16	5/8	1/4	ZEB60-LH
1/4-28	2	1/4	1-1/2	2-5/16	5/8	1/4	ZEB66-LH
	3	1/4	2-1/2	3-5/16	5/8	1/4	ZEB68-LH
	3-1/2	1/4	3	3-13/16	5/8	1/4	ZEB70-LH
5/16-18	2	1/4	1-1/2	2-11/32	11/16	5/16	ZEB76-LH
	3	1/4	2-1/2	3-11/32	11/16	5/16	ZEB78-LH
	1-1/2	5/16	1-1/16	1-27/32	11/16	5/16	ZEB84-LH
5/16-18	3-1/2	5/16	3-1/16	3-27/32	11/16	5/16	ZEB86-LH
	6	5/16	5-9/16	6-11/32	11/16	5/16	ZEB88-LH
5/16-24	2	1/4	1-1/2	2-11/32	11/16	5/16	ZEB90-LH
	3	1/4	2-1/2	3-11/32	11/16	5/16	ZEB92-LH
3/8-16	3	5/16	2-1/2	3-13/32	13/16	3/8	ZEB94-LH
	4	5/16	3-1/2	4-13/32	13/16	3/8	ZEB96-LH
	2	3/8	1-1/2	2-13/32	13/16	3/8	ZEB104-LH

Chart continued on next page

Left Hand Rod End Bolts — Inch 18-8 SS



Thread Size	Shank Center Lg.	ID	Thread Lg.	O'all Length	O'all Wd.	O'all Thickness	18-8 SS Part Number
3/8-16	3-1/2	3/8	3	3-29/32	13/16	3/8	ZEB106-LH
	5	3/8	4-1/2	5-13/32	13/16	3/8	ZEB108-LH
	6	3/8	5-1/2	6-13/32	13/16	3/8	ZEB110-LH
3/8-24	3-1/2	3/8	3	3-29/32	13/16	3/8	ZEB116-LH
	5	3/8	4-1/2	5-13/32	13/16	3/8	ZEB118-LH
1/2-13	2-1/2	1/2	1-7/8	ZEB126-LH	1-1/32	1/2	ZEB126-LH
	3-1/2	1/2	2-7/8	ZEB128-LH	1-1/32	1/2	ZEB128-LH
	5	1/2	4-3/16	ZEB130-LH	1-1/32	1/2	ZEB130-LH
	6	1/2	5-3/8	ZEB132-LH	1-1/32	1/2	ZEB132-LH
1/2-20	3-1/2	1/2	2-7/8	ZEB138-LH	1-1/32	1/2	ZEB138-LH
	5	1/2	4-3/16	ZEB140-LH	1-1/32	1/2	ZEB140-LH
5/8-11	3-1/2	5/8	2-3/4	ZEB146-LH	1-5/16	5/8	ZEB146-LH
	5	5/8	4-1/4	ZEB148-LH	1-5/16	5/8	ZEB148-LH
	6	5/8	5-1/4	ZEB150-LH	1-5/16	5/8	ZEB150-LH
5/8-24	3-1/2	5/8	2-3/4	ZEB156-LH	1-5/16	5/8	ZEB156-LH
	5	5/8	4-1/4	ZEB158-LH	1-5/16	5/8	ZEB158-LH
3/4-10	3-1/2	3/4	2-5/8	ZEB164-LH	1-9/16	3/4	ZEB164-LH
	5	3/4	4-1/8	ZEB166-LH	1-9/16	3/4	ZEB166-LH
	6	3/4	5-1/8	ZEB168-LH	1-9/16	3/4	ZEB168-LH
3/4-16	5	3/4	4-1/8	ZEB174-LH	1-9/16	3/4	ZEB174-LH
	6	3/4	5-1/8	ZEB176-LH	1-9/16	3/4	ZEB176-LH
7/8-9	5	7/8	3-13/16	ZEB180-LH	1-7/8	7/8	ZEB180-LH
	6	7/8	4-13/16	ZEB182-LH	1-7/8	7/8	ZEB182-LH
1-8	6	1	4-3/4	ZEB186-LH	2-3/32	1	ZEB186-LH
	8	1	6	ZEB188-LH	2-3/32	1	ZEB188-LH
1-1/4-7	6	1-1/4	4-1/4	ZEB192-LH	2-21/32	1-1/4	ZEB192-LH
	8	1-1/4	6	ZEB194-LH	2-21/32	1-1/4	ZEB194-LH
1-1/2-6	6	1-1/2	4	ZEB198-LH	3-3/32	1-1/2	ZEB198-LH
	8	1-1/2	6	ZEB200-LH	3-3/32	1-1/2	ZEB200-LH

Left Hand Rod End Bolts – Metric

18-8 SS, Steel

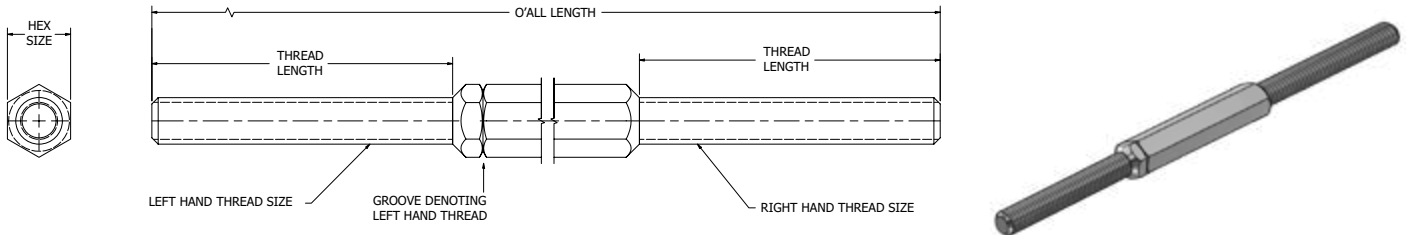


Thread Size	Shank Center Lg.	ID	Thread Length	O'all Length	O'all Width	O'all Thickness	18-8 SS Part Number	Steel, Black Oxide Part Number
M5 x 0.8	25	5	16	31	12	6	ZEBM5X25LH	ZEBM5X25LH-STL-BX
	30	5	16	36	12	6	ZEBM5X30LH	ZEBM5X30LH-STL-BX
	35	5	21	41	12	6	ZEBM5X35LH	ZEBM5X35LH-STL-BX
	40	5	26	46	12	6	ZEBM5X40LH	ZEBM5X40LH-STL-BX
M5 x 0.8	45	5	31	51	12	6	ZEBM5X45LH	ZEBM5X45LH-STL-BX
	50	5	36	56	12	6	ZEBM5X50LH	ZEBM5X50LH-STL-BX
	60	5	46	66	12	6	ZEBM5X60LH	ZEBM5X60LH-STL-BX
M6 x 1	30	6	18	37	14	7	ZEBM6X30LH	ZEBM6X30LH-STL-BX
	35	6	22	42	14	7	ZEBM6X35LH	ZEBM6X35LH-STL-BX
	40	6	26	47	14	7	ZEBM6X40LH	ZEBM6X40LH-STL-BX
	45	6	31	52	14	7	ZEBM6X45LH	ZEBM6X45LH-STL-BX
M6 x 1	50	6	36	57	14	7	ZEBM6X50LH	ZEBM6X50LH-STL-BX
	60	6	46	67	14	7	ZEBM6X60LH	ZEBM6X60LH-STL-BX
	70	6	56	77	14	7	ZEBM6X70LH	ZEBM6X70LH-STL-BX
	80	6	66	87	14	7	ZEBM6X80LH	ZEBM6X80LH-STL-BX
M8 x 1.25	30	8	22	39	18	9	ZEBM8X30LH	ZEBM8X30LH-STL-BX
	35	8	22	44	18	9	ZEBM8X35LH	ZEBM8X35LH-STL-BX
	40	8	24	49	18	9	ZEBM8X40LH	ZEBM8X40LH-STL-BX
	45	8	29	54	18	9	ZEBM8X45LH	ZEBM8X45LH-STL-BX
M8 x 1.25	50	8	34	59	18	9	ZEBM8X50LH	ZEBM8X50LH-STL-BX
	60	8	44	69	18	9	ZEBM8X60LH	ZEBM8X60LH-STL-BX
	70	8	54	79	18	9	ZEBM8X70LH	ZEBM8X70LH-STL-BX
	80	8	64	89	18	9	ZEBM8X80LH	ZEBM8X80LH-STL-BX
M8 x 1.25	90	8	74	99	18	9	ZEBM8X90LH	ZEBM8X90LH-STL-BX
	100	8	84	109	18	9	ZEBM8X100LH	ZEBM8X100LH-STL-BX
M10 x 1.5	40	10	26	50	20	12	ZEBM10X40LH	ZEBM10X40LH-STL-BX
	45	10	26	55	20	12	ZEBM10X45LH	ZEBM10X45LH-STL-BX
	50	10	32	60	20	12	ZEBM10X50LH	ZEBM10X50LH-STL-BX
	60	10	42	70	20	12	ZEBM10X60LH	ZEBM10X60LH-STL-BX
M10 x 1.5	70	10	52	80	20	12	ZEBM10X70LH	ZEBM10X70LH-STL-BX
	75	10	52	85	20	12	ZEBM10X75LH	ZEBM10X75LH-STL-BX
	80	10	62	90	20	12	ZEBM10X80LH	ZEBM10X80LH-STL-BX
	90	10	72	100	20	12	ZEBM10X90LH	ZEBM10X90LH-STL-BX
M10 x 1.5	100	10	82	110	20	12	ZEBM10X100LH	ZEBM10X100LH-STL-BX
	110	10	92	120	20	12	ZEBM10X110LH	ZEBM10X110LH-STL-BX
	120	10	102	130	20	12	ZEBM10X120LH	ZEBM10X120LH-STL-BX

RH/LH External Thread Turnbuckle Rod – Inch & Metric

Product Information

Similar to turnbuckles, these rods have right-hand threads on one end and left-hand threads on the other so you can make a linkage that adjusts for tension. Add right- and left-hand threaded rod ends to build your linkages. Rods have a hex-shaped body so you can adjust them with a wrench. Groove indicates Left-Hand thread side. Thread Class is 6g.



O'all Length	Thread Length	Thread Length	Hex Size	Thread Spacing	18-8 SS Part Number	12L14 Steel Part Number	Aluminum Part Number
2	6-32	1/2	3/16	Coarse	LINKH001-188	LINKH001-STL	LINKH001
	10-32	3/4	1/4	Fine	LINKH004-188	LINKH004-STL	LINKH004
	1/4-28	3/4	1/4	Fine	LINKH006-188	LINKH006-STL	LINKH006
	5/16-24	3/4	5/16	Fine	LINKH010-188	LINKH010-STL	LINKH010
2	3/8-24	3/4	3/8	Fine	LINKH014-188	LINKH014-STL	LINKH014
	1/2-20	3/4	1/2	Fine	LINKH018-188	LINKH018-STL	LINKH018
3	6-32	1/2	3/16	Coarse	LINKH023-188	LINKH023-STL	LINKH023
	10-32	3/4	1/4	Fine	LINKH026-188	LINKH026-STL	LINKH026
	1/4-28	3/4	1/4	Fine	LINKH030-188	LINKH030-STL	LINKH030
	5/16-24	3/4	5/16	Fine	LINKH034-188	LINKH034-STL	LINKH034
3	3/8-24	1	3/8	Fine	LINKH038-188	LINKH038-STL	LINKH038
	1/2-20	1	1/2	Fine	LINKH042-188	LINKH042-STL	LINKH042
	6-32	1/2	3/16	Coarse	LINKH023-188	LINKH023-STL	LINKH023
	10-32	3/4	1/4	Fine	LINKH026-188	LINKH026--STL	LINKH026
3	1/4-28	3/4	1/4	Fine	LINKH030-188	LINKH030--STL	LINKH030
	5/16-24	3/4	5/16	Fine	LINKH034-188	LINKH034-STL	LINKH034
	3/8-24	1	3/8	Fine	LINKH038-188	LINKH038-STL	LINKH038
	1/2-20	1	1/2	Fine	LINKH042-188	LINKH042--STL	LINKH042
4	6-32	1	3/16	Coarse	LINKH047-188	LINKH047-STL	LINKH047
	10-32	1	1/4	Fine	LINKH050-188	LINKH050-STL	LINKH050
	1/4-20	1	1/4	Coarse	—	—	LINKH052
	1/4-28	1	1/4	Fine	LINKH054-188	LINKH054-STL	LINKH054
4	5/16-24	1-1/4	5/16	Fine	LINKH058-188	LINKH058-STL	LINKH058
	3/8-16	1-1/4	3/8	Coarse	—	—	LINKH060
	3/8-24	1-1/4	3/8	Fine	LINKH062-188	LINKH062-STL	LINKH062
	7/16-20	1-1/4	7/16	Fine	LINKH063-188	LINKH063-STL	LINKH063
4	1/2-13	1-1/2	1/2	Coarse	—	—	LINKH064
	1/2-20	1 1/2	1/2	Fine	LINKH066-188	LINKH066-STL	—

CATVer:01A

Chart continued on next page

18-8 SS, Steel,
Aluminum

RH/LH External Thread Turnbuckle Rod – Inch

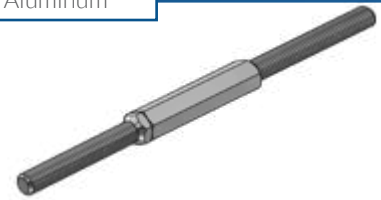
18-8 SS, Steel, Aluminum



O'all Length	Thread Length	Thread Length	Hex Size	Thread Spacing	18-8 SS Part Number	12L14 Steel Part Number	Aluminum Part Number
4	5/8-18	1 3/4	5/8	Fine	LINKH074-188	LINKH074-STL	LINKH174
	3/4-16	1 3/4	3/4	Fine	LINKH070-188	LINKH070-STL	—
6	6-32	1	3/16	Coarse	LINKH092-188	LINKH092-STL	LINKH092
	10-32	1 3/16	1/4	Fine	LINKH102-188	LINKH102-STL	—
	1/4-28	1 1/2	1/4	Fine	LINKH106-188	LINKH106-STL	—
	5/16-24	1 5/8	5/16	Fine	LINKH110-188	LINKH110-STL	—
6	3/8-24	2	3/8	Fine	LINKH114-188	LINKH114-STL	—
	7/16-20	2	7/16	Fine	LINKH115-188	LINKH115-STL	LINKH115
	1/2-20	2	1/2	Fine	LINKH118-188	LINKH118-STL	—
6	5/8-18	2	5/8	Fine	LINKH126-188	LINKH126-STL	LINKH126
	3/4-16	2	3/4	Fine	LINKH122-188	LINKH122-STL	—
12	6-32	1	3/16	Coarse	LINKH140-188	LINKH140-STL	LINKH140
	10-32	1 3/16	1/4	Fine	LINKH150-188	LINKH150-STL	—
	1/4-28	1 3/16	1/4	Fine	LINKH154-188	LINKH154-STL	—
	5/16-24	1 5/8	5/16	Fine	LINKH158-188	LINKH158-STL	—
12	3/8-24	2	3/8	Fine	LINKH162-188	LINKH162-STL	—
	7/16-20	2	7/16	Fine	LINKH163-188	LINKH163-STL	LINKH163
	1/2-20	2	1/2	Fine	LINKH166-188	LINKH166-STL	—
	5/8-18	2	5/8	Fine	LINKH174-188	LINKH174-STL	LINKH174
12	3/4-16	2	3/4	Fine	LINKH170-188	LINKH170-STL	—
18	10-32	1 3/16	1/4	Fine	LINKH200-188	LINKH200-STL	—
	1/4-28	1 1/2	1/4	Fine	LINKH204-188	LINKH204-STL	—
	5/16-24	1 5/8	5/16	Fine	LINKH208-188	LINKH208-STL	—
	3/8-24	2	3/8	Fine	LINKH212-188	LINKH212-STL	—
18	7/16-20	2	7/16	Fine	LINKH213-188	LINKH213-STL	LINKH213
	1/2-20	2	1/2	Fine	LINKH216-188	LINKH216-STL	—
	5/8-18	2	5/8	Fine	LINKH224-188	LINKH224-STL	LINKH224
24	3/4-16	2	3/4	Fine	LINKH220-188	LINKH220-STL	—
	10-32	1 3/16	1/4	Fine	LINKH250-188	LINKH250-STL	—
	1/4-28	1 1/2	1/4	Fine	LINKH254-188	LINKH254-STL	—
	5/16-24	1 5/8	5/16	Fine	LINKH258-188	LINKH258-STL	—
24	3/8-24	2	3/8	Fine	LINKH262-188	LINKH262-STL	—
	7/16-20	2	7/16	Fine	LINKH263-188	LINKH263-STL	LINKH263
	1/2-20	2	1/2	Fine	LINKH266-188	LINKH266-STL	—
	5/8-18	2	5/8	Fine	LINKH274-188	LINKH274-STL	LINKH274
24	3/4-16	2	3/4	Fine	LINKH270-188	LINKH270-STL	—

RH/LH External Thread Turnbuckle Rod – Metric

18-8 SS, Steel, Aluminum



O'all Length	Thread Length	Thread Length	Hex Size	Thread Spacing	18-8 SS Part Number	12L14 Steel Part Number	Aluminum Part Number
50	M5 x 0.8	12	5	Coarse	LINKHM5X50E-188	LINKHM5X50E	LINKHM5X50E-ALUM
	M6 x 1	16	6	Coarse	LINKHM6X50E-188	LINKHM6X50E	LINKHM6X50E-ALUM
	M8 x 1.25	20	8	Coarse	LINKHM8X50E-188	LINKHM8X50E	LINKHM8X50E-ALUM
	M10 x 1.5	20	10	Coarse	LINKHM10X50E-188	LINKHM10X50E	LINKHM10X50E-ALUM
50	M12 x 1.75	20	12	Coarse	LINKHM12X50E-188	LINKHM12X50E	LINKHM12X50E-ALUM
	M14 x 2	20	14	Coarse	LINKHM14X50E-188	LINKHM14X50E	LINKHM14X50E-ALUM
	M16 x 2	20	16	Coarse	LINKHM16X50E-188	LINKHM16X50E	LINKHM16X50E-ALUM
	M20 x 2.5	20	20	Coarse	LINKHM20X50E-188	LINKHM20X50E	LINKHM20X50E-ALUM
76	M5 x 0.8	12	5	Coarse	LINKHM5X76E-188	LINKHM5X76E	LINKHM5X76E-ALUM
	M6 x 1	16	6	Coarse	LINKHM6X76E-188	LINKHM6X76E	LINKHM6X76E-ALUM
	M8 x 1.25	20	8	Coarse	LINKHM8X76E-188	LINKHM8X76E	LINKHM8X76E-ALUM
	M10 x 1.5	25	10	Coarse	LINKHM10X76E-188	LINKHM10X76E	LINKHM10X76E-ALUM
76	M12 x 1.75	25	12	Coarse	LINKHM12X76E-188	LINKHM12X76E	LINKHM5X76E-ALUM
	M14 x 2	25	14	Coarse	LINKHM14X76E-188	LINKHM14X76E	LINKHM6X76E-ALUM
	M16 x 2	25	16	Coarse	LINKHM16X76E-188	LINKHM16X76E	LINKHM8X76E-ALUM
	M20 x 2.5	25	20	Coarse	LINKHM20X76E-188	LINKHM20X76E	LINKHM10X76E-ALUM
76	M5 x 0.8	12	5	Coarse	LINKHM5X76E-188	LINKHM5X76E	LINKHM5X76E-188
	M6 x 1	16	6	Coarse	LINKHM6X76E-188	LINKHM6X76E	LINKHM6X76E-188
	M8 x 1.25	20	8	Coarse	LINKHM8X76E-188	LINKHM8X76E	LINKHM8X76E-188
	M10 x 1.5	25	10	Coarse	LINKHM10X76E-188	LINKHM10X76E	LINKHM10X76E-188
76	M12 x 1.75	25	12	Coarse	LINKHM12X76E-188	LINKHM12X76E	LINKHM12X76E-188
	M14 x 2	25	14	Coarse	LINKHM14X76E-188	LINKHM14X76E	LINKHM14X76E-188
	M16 x 2	25	16	Coarse	LINKHM16X76E-188	LINKHM16X76E	LINKHM16X76E-188
	M20 x 2.5	25	20	Coarse	LINKHM20X76E-188	LINKHM20X76E	LINKHM20X76E-188
100	M5 x 0.8	25	5	Coarse	LINKHM5X100E-188	LINKHM5X100E	LINKHM5X100E-ALUM
	M6 x 1	25	6	Coarse	LINKHM6X100E-188	LINKHM6X100E	LINKHM6X100E-ALUM
	M8 x 1.25	30	8	Coarse	LINKHM8X100E-188	LINKHM8X100E	LINKHM8X100E-ALUM
	M10 x 1.5	30	10	Coarse	LINKHM10X100E-188	LINKHM10X100E	LINKHM10X100E-ALUM
100	M12 x 1.75	40	12	Coarse	LINKHM12X100E-188	LINKHM12X100E	LINKHM12X100E-ALUM
	M14 x 2	40	14	Coarse	LINKHM14X100E-188	LINKHM14X100E	LINKHM14X100E-ALUM
	M16 x 2	40	16	Coarse	LINKHM16X100E-188	LINKHM16X100E	LINKHM16X100E-ALUM
	M20 x 2.5	40	20	Coarse	LINKHM20X100E-188	LINKHM20X100E	LINKHM20X100E-ALUM
150	M5 x 0.8	30	5	Coarse	LINKHM5X150E-188	LINKHM5X150E	LINKHM5X150E-ALUM
	M6 x 1	40	6	Coarse	LINKHM6X150E-188	LINKHM6X150E	LINKHM6X150E-ALUM
	M8 x 1.25	40	8	Coarse	LINKHM8X150E-188	LINKHM8X150E	LINKHM8X150E-ALUM
	M10 x 1.5	50	10	Coarse	LINKHM10X150E-188	LINKHM10X150E	LINKHM10X150E-ALUM
150	M12 x 1.75	50	12	Coarse	LINKHM12X150E-188	LINKHM12X150E	LINKHM12X150E-ALUM

Chart continued on next page

RH/LH External Thread Turnbuckle Rod – Metric

18-8 SS, Steel, Aluminum

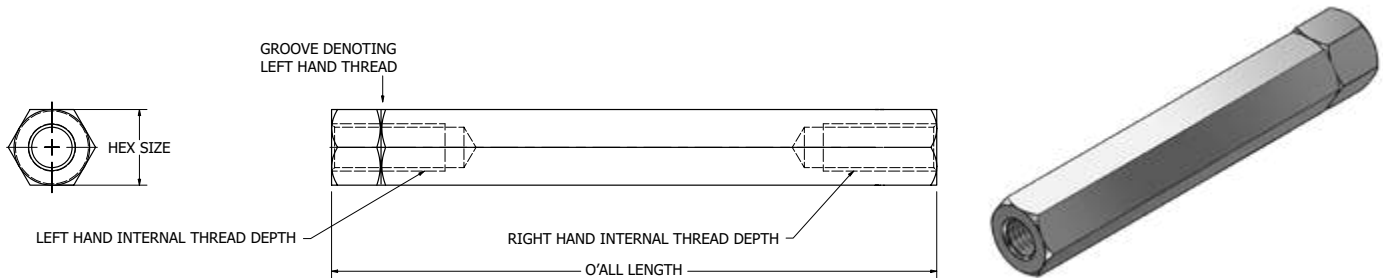


O'all Length	Thread Length	Thread Length	Hex Size	Thread Spacing	18-8 SS Part Number	12L14 Steel Part Number	Aluminum Part Number
150	M14 x 2	50	14	Coarse	LINKHM14X150E-188	LINKHM14X150E	LINKHM14X150E-ALUM
	M16 x 2	50	16	Coarse	LINKHM16X150E-188	LINKHM16X150E	LINKHM16X150E-ALUM
	M20 x 2.5	50	20	Coarse	LINKHM20X150E-188	LINKHM20X150E	LINKHM20X150E-ALUM
305	M5 x 0.8	30	5	Coarse	LINKHM5X305E-188	LINKHM5X305E	LINKHM5X305E-ALUM
	M6 x 1	30	6	Coarse	LINKHM6X305E-188	LINKHM6X305E	LINKHM6X305E-ALUM
	M8 x 1.25	40	8	Coarse	LINKHM8X305E-188	LINKHM8X305E	LINKHM8X305E-ALUM
	M10 x 1.5	50	10	Coarse	LINKHM10X305E-188	LINKHM10X305E	LINKHM10X305E-ALUM
305	M12 x 1.75	50	12	Coarse	LINKHM12X305E-188	LINKHM12X305E	LINKHM12X305E-ALUM
	M14 x 2	50	14	Coarse	LINKHM14X305E-188	LINKHM14X305E	LINKHM14X305E-ALUM
	M16 x 2	50	16	Coarse	LINKHM16X305E-188	LINKHM16X305E	LINKHM16X305E-ALUM
	M20 x 2.5	50	20	Coarse	LINKHM20X305E-188	LINKHM20X305E	LINKHM20X305E-ALUM
305	M5 x 0.8	30	5	Coarse	LINKHM5X305E-188	LINKHM5X305E	—
	M6 x 1	30	6	Coarse	LINKHM6X305E-188	LINKHM6X305E	—
	M8 x 1.25	40	8	Coarse	LINKHM8X305E-188	LINKHM8X305E	—
	M10 x 1.5	50	10	Coarse	LINKHM10X305E-188	LINKHM10X305E	—
305	M12 x 1.75	50	12	Coarse	LINKHM12X305E-188	LINKHM12X305E	—
	M14 x 2	50	14	Coarse	LINKHM14X305E-188	LINKHM14X305E	—
	M16 x 2	50	16	Coarse	LINKHM16X305E-188	LINKHM16X305E	—
	M20 x 2.5	50	20	Coarse	LINKHM20X305E-188	LINKHM20X305E	—
455	M5 x 0.8	30	5	Coarse	LINKHM5X455E-188	LINKHM5X455E	LINKHM5X455E-ALUM
	M6 x 1	40	6	Coarse	LINKHM6X455E-188	LINKHM6X455E	LINKHM6X455E-ALUM
	M8 x 1.25	40	8	Coarse	LINKHM8X455E-188	LINKHM8X455E	LINKHM8X455E-ALUM
	M10 x 1.5	50	10	Coarse	LINKHM10X455E-188	LINKHM10X455E	LINKHM10X455E-ALUM
455	M12 x 1.75	50	12	Coarse	LINKHM12X455E-188	LINKHM12X455E	LINKHM12X455E-ALUM
	M14 x 2	50	14	Coarse	LINKHM14X455E-188	LINKHM14X455E	LINKHM14X455E-ALUM
	M16 x 2	50	16	Coarse	LINKHM16X455E-188	LINKHM16X455E	LINKHM16X455E-ALUM
	M20 x 2.5	50	20	Coarse	LINKHM20X455E-188	LINKHM20X455E	LINKHM20X455E-ALUM
610	M5 x 0.8	30	5	Coarse	LINKHM5X610E-188	LINKHM5X610E	LINKHM5X610E-ALUM
	M6 x 1	40	6	Coarse	LINKHM6X610E-188	LINKHM6X610E	LINKHM6X610E-ALUM
	M8 x 1.25	40	8	Coarse	LINKHM8X610E-188	LINKHM8X610E	LINKHM8X610E-ALUM
	M10 x 1.5	50	10	Coarse	LINKHM10X610E-188	LINKHM10X610E	LINKHM10X610E-ALUM
610	M12 x 1.75	50	12	Coarse	LINKHM12X610E-188	LINKHM12X610E	LINKHM12X610E-ALUM
	M14 x 2	50	14	Coarse	LINKHM14X610E-188	LINKHM14X610E	LINKHM14X610E-ALUM
	M16 x 2	50	16	Coarse	LINKHM16X610E-188	LINKHM16X610E	LINKHM16X610E-ALUM
	M20 x 2.5	50	20	Coarse	LINKHM20X610E-188	LINKHM20X610E	LINKHM20X610E-ALUM

RH/LH Internal Thread Turnbuckle Rod – Inch 18-8 SS, Steel, Aluminum

Product Information

Similar to turnbuckles, these rods have right-hand threads on one end and left-hand threads on the other so you can make a linkage that adjusts for tension. Add right- and left-hand threaded rod ends to build your linkages. Rods have a hex-shaped body so you can adjust them with a wrench. Groove indicates Left-Hand thread side. Thread Class is 6g.



O'all Length	Thread Size	Internal Thread Depth	Hex Size	Thread Spacing	18-8 SS Part Number	12L14 Steel Part Number	Aluminum Part Number
2	6-32	1/2	5/16	Coarse	LINKT020-188	LINKT020-STL	LINKT020
	10-32	1/2	5/16	Fine	LINKT040-188	LINKT040-STL	LINKT040
	1/4-28	3/4	3/8	Fine	LINKT050-188	LINKT050-STL	LINKT050
	5/16-24	3/4	1/2	Fine	LINKT100-188	LINKT100-STL	LINKT100
2	3/8-24	3/4	1/2	Fine	LINKT120-188	LINKT120-STL	LINKT120
	7/16-20	3/4	5/8	Fine	LINKT140-188	LINKT140-STL	LINKT140
	1/2-20	3/4	5/8	Fine	LINKT150-188	LINKT150-STL	LINKT150
	5/8-18	3/4	3/4	Fine	LINKT180-188	LINKT180-STL	LINKT180
2	3/4-16	3/4	1	Fine	LINKT200-188	LINKT200-STL	LINKT200
3	6-32	1/2	5/16	Coarse	LINKT024-188	LINKT024-STL	LINKT024
	10-32	1/2	5/16	Fine	LINKT044-188	LINKT044-STL	LINKT044
	1/4-28	3/4	3/8	Fine	LINKT054-188	LINKT054-STL	LINKT054
	5/16-24	3/4	1/2	Fine	LINKT104-188	LINKT104-STL	LINKT104
3	3/8-24	1	1/2	Fine	LINKT124-188	LINKT124-STL	LINKT124
	7/16-20	1	5/8	Fine	LINKT144-188	LINKT144-STL	LINKT144
	1/2-20	1	5/8	Fine	LINKT154-188	LINKT154-STL	LINKT154
	5/8-18	1	3/4	Fine	LINKT184-188	LINKT184-STL	LINKT184
3	3/4-16	1	1	Fine	LINKT204-188	LINKT204-STL	LINKT204
4	6-32	1/2	5/16	Coarse	LINKT028-188	LINKT028-STL	LINKT028
	10-32	1/2	5/16	Fine	LINKT046-188	LINKT046-STL	LINKT046
	1/4-28	3/4	3/8	Fine	LINKT058-188	LINKT058-STL	LINKT058
	5/16-24	3/4	1/2	Fine	LINKT108-188	LINKT108-STL	LINKT108
4	3/8-24	1	1/2	Fine	LINKT128-188	LINKT128-STL	LINKT128
	7/16-20	1	5/8	Fine	LINKT146-188	LINKT146-STL	LINKT146
	1/2-20	1	5/8	Fine	LINKT158-188	LINKT158-STL	LINKT158

CAT.Ver.01.A

Chart continued on next page

RH/LH Internal Thread Turnbuckle Rod – Inch

18-8 SS, Steel, Aluminum



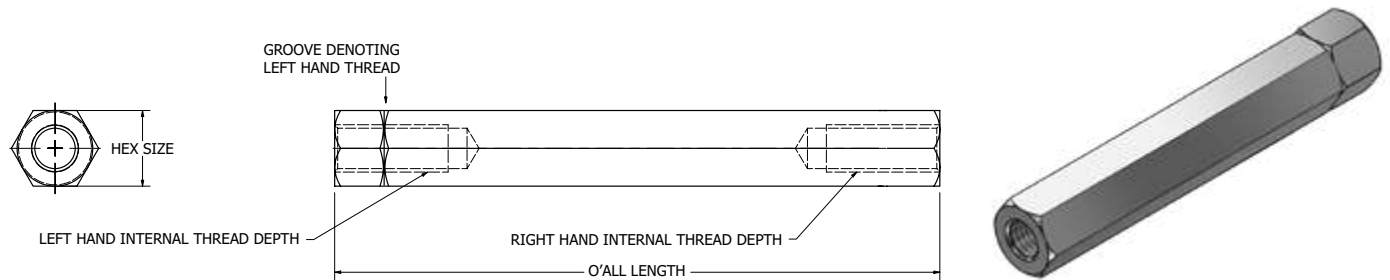
O'all Length	Thread Size	Internal Thread Depth	Hex Size	Thread Spacing	18-8 SS Part Number	12L14 Steel Part Number	Aluminum Part Number
4	5/8-18	1	7/8	Fine	LINKT186-188	LINKT186-STL	LINKT186
	3/4-16	1	1	Fine	LINKT208-188	LINKT208-STL	LINKT208
6	6-32	1/2	5/16	Coarse	LINKT034-188	LINKT034-STL	LINKT034
	10-32	1/2	5/16	Fine	LINKT047-188	LINKT047-STL	LINKT047
	1/4-28	3/4	3/8	Fine	LINKT064-188	LINKT064-STL	LINKT064
	5/16-24	3/4	1/2	Fine	LINKT114-188	LINKT114-STL	LINKT114
6	3/8-24	1	1/2	Fine	LINKT134-188	LINKT134-STL	LINKT134
	7/16-20	1	5/8	Fine	LINKT147-188	LINKT147-STL	LINKT147
	1/2-20	1	5/8	Fine	LINKT164-188	LINKT164-STL	LINKT164
	5/8-18	1	7/8	Fine	LINKT187-188	LINKT187-STL	LINKT187
6	3/4-16	1	1	Fine	LINKT214-188	LINKT214-STL	LINKT214
12	6-32	1/2	5/16	Coarse	LINKT036-188	LINKT036-STL	LINKT036
	10-32	1/2	5/16	Fine	LINKT048-188	LINKT048-STL	LINKT048
	1/4-28	3/4	3/8	Fine	LINKT070-188	LINKT070-STL	LINKT070
	5/16-24	3/4	1/2	Fine	LINKT116-188	LINKT116-STL	LINKT116
12	3/8-24	1	1/2	Fine	LINKT136-188	LINKT136-STL	LINKT136
	7/16-20	1	5/8	Fine	LINKT148-188	LINKT148-STL	LINKT148
	1/2-20	1	5/8	Fine	LINKT166-188	LINKT166-STL	LINKT166
	5/8-18	1	7/8	Fine	LINKT188-188	LINKT188-STL	LINKT188
12	3/4-16	1	1	Fine	LINKT218-188	LINKT218-STL	LINKT218
18	1/4-28	3/4	3/8	Fine	LINKT038-188	LINKT038-STL	LINKT038
	5/16-24	3/4	1/2	Fine	LINKT049-188	LINKT049-STL	LINKT049
	3/8-24	1	1/2	Fine	LINKT138-188	LINKT138-STL	LINKT138
	7/16-20	1	5/8	Fine	LINKT149-188	LINKT149-STL	LINKT149
18	1/2-20	1	5/8	Fine	LINKT169-188	LINKT169-STL	LINKT169
	5/8-18	1	7/8	Fine	LINKT189-188	LINKT189-STL	LINKT189
	3/4-16	1	1	Fine	LINKT220-188	LINKT220-STL	LINKT220

RH/LH Internal Thread Turnbuckle Rod – Metric

18-8 SS, Steel, Aluminum

Product Information

Similar to turnbuckles, these rods have right-hand threads on one end and left-hand threads on the other so you can make a linkage that adjusts for tension. Add right- and left-hand threaded rod ends to build your linkages. Rods have a hex-shaped body so you can adjust them with a wrench. Groove indicates Left-Hand thread side. Thread Class is 6g.



O'all Length	Thread Size	Internal Thread Depth	Hex Size	Thread Spacing	18-8 SS Part Number	12L14 Steel Part Number	Aluminum Part Number
50	M5 x 0.8	12	10	Coarse	LINKTM5X50I-188	LINKTM5X50I	LINKTM5X50I-ALUM
	M6 x 1	16	10	Coarse	LINKTM6X50I-188	LINKTM6X50I	LINKTM6X50I-ALUM
	M8 x 1.25	16	12	Coarse	LINKTM8X50I-188	LINKTM8X50I	LINKTM8X50I-ALUM
	M10 x 1.5	16	17	Coarse	LINKTM10X50I-188	LINKTM10X50I	LINKTM10X50I-ALUM
50	M12 x 1.75	16	19	Coarse	LINKTM12X50I-188	LINKTM12X50I	LINKTM12X50I-ALUM
	M14 x 2	16	22	Coarse	LINKTM14X50I-188	LINKTM14X50I	LINKTM14X50I-ALUM
	M16 x 2	16	24	Coarse	LINKTM16X50I-188	LINKTM16X50I	LINKTM16X50I-ALUM
	M20 x 2.5	16	30	Coarse	LINKTM20X50I-188	LINKTM20X50I	LINKTM20X50I-ALUM
76	M5 x 0.8	12	10	Coarse	LINKTM5X76I-188	LINKTM5X76I	LINKTM5X76I-ALUM
	M6 x 1	16	10	Coarse	LINKTM6X76I-188	LINKTM6X76I	LINKTM6X76I-ALUM
	M8 x 1.25	20	12	Coarse	LINKTM8X76I-188	LINKTM8X76I	LINKTM8X76I-ALUM
	M10 x 1.5	20	17	Coarse	LINKTM10X76I-188	LINKTM10X76I	LINKTM10X76I-ALUM
76	M12 x 1.75	20	19	Coarse	LINKTM12X76I-188	LINKTM12X76I	LINKTM12X76I-ALUM
	M14 x 2	20	22	Coarse	LINKTM14X76I-188	LINKTM14X76I	LINKTM14X76I-ALUM
	M16 x 2	20	24	Coarse	LINKTM16X76I-188	LINKTM16X76I	LINKTM16X76I-ALUM
	M20 x 2.5	20	30	Coarse	LINKTM20X76I-188	LINKTM20X76I	LINKTM20X76I-ALUM
100	M5 x 0.8	12	10	Coarse	LINKTM5X100I-188	LINKTM5X100I	LINKTM5X100I-ALUM
	M6 x 1	16	10	Coarse	LINKTM6X100I-188	LINKTM6X100I	LINKTM6X100I-ALUM
	M8 x 1.25	20	12	Coarse	LINKTM8X100I-188	LINKTM8X100I	LINKTM8X100I-ALUM
	M10 x 1.5	25	17	Coarse	LINKTM10X100I-188	LINKTM10X100I	LINKTM10X100I-ALUM
100	M12 x 1.75	25	19	Coarse	LINKTM12X100I-188	LINKTM12X100I	LINKTM12X100I-ALUM
	M14 x 2	25	22	Coarse	LINKTM14X100I-188	LINKTM14X100I	LINKTM14X100I-ALUM
	M16 x 2	25	24	Coarse	LINKTM16X100I-188	LINKTM16X100I	LINKTM16X100I-ALUM
	M20 x 2.5	25	30	Coarse	LINKTM20X100I-188	LINKTM20X100I	LINKTM20X100I-ALUM

CAT.Ver.01.A

Chart continued on next page

RH/LH Internal Thread Turnbuckle Rod – Metric

18-8 SS, Steel, Aluminum



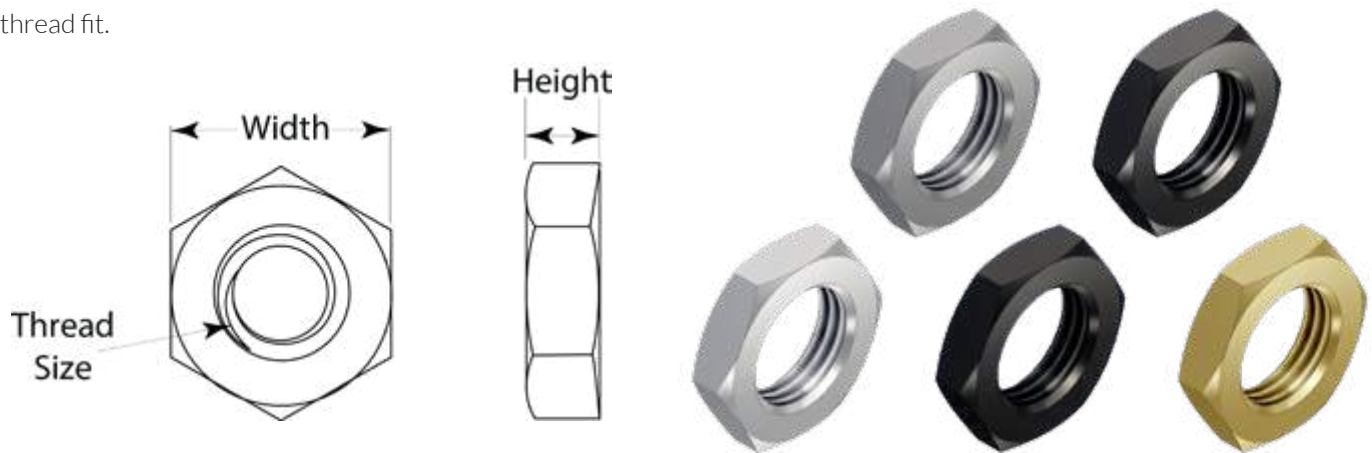
O'all Length	Thread Size	Internal Thread Depth	Hex Size	Thread Spacing	18-8 SS Part Number	12L14 Steel Part Number	Aluminum Part Number
150	M5 x 0.8	12	10	Coarse	LINKTM5X150I-188	LINKTM5X150I	LINKTM5X150I-ALUM
	M6 x 1	16	10	Coarse	LINKTM6X150I-188	LINKTM6X150I	LINKTM6X150I-ALUM
	M8 x 1.25	20	12	Coarse	LINKTM8X150I-188	LINKTM8X150I	LINKTM8X150I-ALUM
	M10 x 1.5	25	17	Coarse	LINKTM10X150I-188	LINKTM10X150I	LINKTM10X150I-ALUM
150	M12 x 1.75	25	19	Coarse	LINKTM12X150I-188	LINKTM12X150I	LINKTM12X150I-ALUM
	M14 x 2	25	22	Coarse	LINKTM14X150I-188	LINKTM14X150I	LINKTM14X150I-ALUM
	M16 x 2	25	24	Coarse	LINKTM16X150I-188	LINKTM16X150I	LINKTM16X150I-ALUM
	M20 x 2.5	25	30	Coarse	LINKTM20X150I-188	LINKTM20X150I	LINKTM20X150I-ALUM
305	M5 x 0.8	12	10	Coarse	LINKTM5X305I-188	LINKTM5X305I	LINKTM5X305I-ALUM
	M6 x 1	16	10	Coarse	LINKTM6X305I-188	LINKTM6X305I	LINKTM6X305I-ALUM
	M8 x 1.25	20	12	Coarse	LINKTM8X305I-188	LINKTM8X305I	LINKTM8X305I-ALUM
	M10 x 1.5	25	17	Coarse	LINKTM10X305I-188	LINKTM10X305I	LINKTM10X305I-ALUM
305	M12 x 1.75	25	19	Coarse	LINKTM12X305I-188	LINKTM12X305I	LINKTM12X305I-ALUM
	M14 x 2	25	22	Coarse	LINKTM14X305I-188	LINKTM14X305I	LINKTM14X305I-ALUM
	M16 x 2	25	24	Coarse	LINKTM16X305I-188	LINKTM16X305I	LINKTM16X305I-ALUM
	M20 x 2.5	25	30	Coarse	LINKTM20X305I-188	LINKTM20X305I	LINKTM20X305I-ALUM

Thin Hex Nuts Left Hand Thread – Inch

18-8 SS, 316 SS, Steel and Brass

Product Information

Also known as jam nuts, these Thin Hex Nuts are about half the height of standard hex nuts. Use them in low-clearance applications or jam one against another nut to hold it in place. Type 316 stainless steel offers superior corrosion resistance than 18-8 stainless steel and resists salt water, acids, chlorides, alkalis and other industrial solvents. Nuts have a Class 2B thread fit.



Thread Size	Width	Height	18-8 SS Part Number	18-8 SS, Blk Ox. Part Number	316 SS Part Number	Steel, Black Ox. Part Number	Brass, Part Number
4-40	1/4	1/16	NUTJ04C-LH	NUTJ04C-LH-BX	NUTJ04C-LH-316	NUTJ04C-LH-STL BX	NUTJ04C-LH-BR
4-48	1/4	1/16	NUTJ04F-LH	NUTJ04F-LH-BX	NUTJ04F-LH-316	NUTJ04F-LH-STL BX	NUTJ04F-LH-BR
5-40	5/16	3/32	NUTJ05C-LH	NUTJ05C-LH-BX	NUTJ05C-LH-316	NUTJ05C-LH-STL BX	NUTJ05C-LH-BR
5-44	5/16	3/32	NUTJ05F-LH	NUTJ05F-LH-BX	NUTJ05F-LH-316	NUTJ05F-LH-STL BX	NUTJ05F-LH-BR
6-32	5/16	3/32	NUTJ06C-LH	NUTJ06C-LH-BX	NUTJ06C-LH-316	NUTJ06C-LH-STL BX	NUTJ06C-LH-BR
6-40	5/16	3/32	NUTJ06F-LH	NUTJ06F-LH-BX	NUTJ06F-LH-316	NUTJ06F-LH-STL BX	NUTJ06F-LH-BR
8-32	11/32	7/64	NUTJ08C-LH	NUTJ08C-LH-BX	NUTJ08C-LH-316	NUTJ08C-LH-STL BX	NUTJ08C-LH-BR
8-36	11/32	7/64	NUTJ08F-LH	NUTJ08F-LH-BX	NUTJ08F-LH-316	NUTJ08F-LH-STL BX	NUTJ08F-LH-BR
10-24	3/8	7/64	NUTJ10C-LH	NUTJ10C-LH-BX	NUTJ10C-LH-316	NUTJ10C-LH-STL BX	NUTJ10C-LH-BR
10-32	3/8	7/64	NUTJ10F-LH	NUTJ10F-LH-BX	NUTJ10F-LH-316	NUTJ10F-LH-STL BX	NUTJ10F-LH-BR
12-24	7/16	9/64	NUTJ11C-LH	NUTJ11C-LH-BX	NUTJ11C-LH-316	NUTJ11C-LH-STL BX	NUTJ11C-LH-BR
12-28	7/16	9/64	NUTJ11F-LH	NUTJ11F-LH-BX	NUTJ11F-LH-316	NUTJ11F-LH-STL BX	NUTJ11F-LH-BR
1/2-13	3/4	5/16	NUTJ12C-LH	NUTJ12C-LH-BX	NUTJ12C-LH-316	NUTJ12C-LH-STL BX	NUTJ12C-LH-BR
1/2-20	3/4	5/16	NUTJ12F-LH	NUTJ12F-LH-BX	NUTJ12F-LH-316	NUTJ12F-LH-STL BX	NUTJ12F-LH-BR
1/4-20	7/16	5/32	NUTJ14C-LH	NUTJ14C-LH-BX	NUTJ14C-LH-316	NUTJ14C-LH-STL BX	NUTJ14C-LH-BR
1/4-28	7/16	5/32	NUTJ14F-LH	NUTJ14F-LH-BX	NUTJ14F-LH-316	NUTJ14F-LH-STL BX	NUTJ14F-LH-BR
3/4-10	1-1/8	27/64	NUTJ34C-LH	NUTJ34C-LH-BX	NUTJ34C-LH-316	NUTJ34C-LH-STL BX	NUTJ34C-LH-BR
3/4-16	1-1/8	27/64	NUTJ34F-LH	NUTJ34F-LH-BX	NUTJ34F-LH-316	NUTJ34F-LH-STL BX	NUTJ34F-LH-BR
3/8-16	9/16	7/32	NUTJ38C-LH	NUTJ38C-LH-BX	NUTJ38C-LH-316	NUTJ38C-LH-STL BX	NUTJ38C-LH-BR
3/8-24	9/16	7/32	NUTJ38F-LH	NUTJ38F-LH-BX	NUTJ38F-LH-316	NUTJ38F-LH-STL BX	NUTJ38F-LH-BR
5/16-18	1/2	3/16	NUTJ51C-LH	NUTJ51C-LH-BX	NUTJ51C-LH-316	NUTJ51C-LH-STL BX	NUTJ51C-LH-BR

CAT.Ver.01.A

Chart continued on next page

18-8 SS, 316 SS,
Steel, Brass

Thin Hex Nuts Left Hand Thread – Inch

18-8 SS, 316 SS, Steel and Brass



Thread Size	Width	Height	18-8 SS Part Number	18-8 SS, Blk Ox. Part Number	316 SS Part Number	Steel, Black Ox. Part Number	Brass, Part Number
5/16-24	1/2	3/16	NUTJ51F-LH	NUTJ51F-LH-BX	NUTJ51F-LH-316	NUTJ51F-LH-STLBX	NUTJ51F-LH-BR
5/8-11	15/16	3/8	NUTJ58C-LH	NUTJ58C-LH-BX	NUTJ58C-LH-316	NUTJ58C-LH-STLBX	NUTJ58C-LH-BR
5/8-18	15/16	3/8	NUTJ58F-LH	NUTJ58F-LH-BX	NUTJ58F-LH-316	NUTJ58F-LH-STLBX	NUTJ58F-LH-BR
7/16-14	11/16	1/4	NUTJ71C-LH	NUTJ71C-LH-BX	NUTJ71C-LH-316	NUTJ71C-LH-STLBX	NUTJ71C-LH-BR
7/16-20	11/16	1/4	NUTJ71F-LH	NUTJ71F-LH-BX	NUTJ71F-LH-316	NUTJ71F-LH-STLBX	NUTJ71F-LH-BR
7/8-9	1-5/16	31/64	NUTJ78C-LH	NUTJ78C-LH-BX	NUTJ78C-LH-316	NUTJ78C-LH-STLBX	NUTJ78C-LH-BR
7/8-20	1-5/16	31/64	NUTJ78EF-LH	NUTJ78EF-LH-BX	NUTJ78EF-LH-316	NUTJ78EF-LH-STLBX	NUTJ78EF-LH-BR
7/8-14	1-5/16	31/64	NUTJ78F-LH	NUTJ78F-LH-BX	NUTJ78F-LH-316	NUTJ78F-LH-STLBX	NUTJ78F-LH-BR
1-8	1-1/2	35/64	NUTJ81C-LH	NUTJ81C-LH-BX	NUTJ81C-LH-316	NUTJ81C-LH-STLBX	NUTJ81C-LH-BR
1-14	1-1/2	35/64	NUTJ81EF-LH	NUTJ81EF-LH-BX	NUTJ81EF-LH-316	NUTJ81EF-LH-STLBX	NUTJ81EF-LH-BR
1-12	1-1/2	35/64	NUTJ81F-LH	NUTJ81F-LH-BX	NUTJ81F-LH-316	NUTJ81F-LH-STLBX	NUTJ81F-LH-BR
1-1/8-7	1-11/16	39/64	NUTJ82C-LH	NUTJ82C-LH-BX	NUTJ82C-LH-316	NUTJ82C-LH-STLBX	NUTJ82C-LH-BR
1-1/8-12	1-11/16	39/64	NUTJ82F-LH	NUTJ82F-LH-BX	NUTJ82F-LH-316	NUTJ82F-LH-STLBX	NUTJ82F-LH-BR
1-1/4-7	1-7/8	23/32	NUTJ83C-LH	NUTJ83C-LH-BX	NUTJ83C-LH-316	NUTJ83C-LH-STLBX	NUTJ83C-LH-BR
1-1/4-12	1-7/8	23/32	NUTJ83F-LH	NUTJ83F-LH-BX	NUTJ83F-LH-316	NUTJ83F-LH-STLBX	NUTJ83F-LH-BR
1-1/2-6	2-1/4	27/32	NUTJ84C-LH	NUTJ84C-LH-BX	NUTJ84C-LH-316	NUTJ84C-LH-STLBX	NUTJ84C-LH-BR
1-1/2-12	2-1/4	27/32	NUTJ84F-LH	NUTJ84F-LH-BX	NUTJ84F-LH-316	NUTJ84F-LH-STLBX	NUTJ84F-LH-BR
1-3/4-5	2-5/8	31/32	NUTJ85C-LH	NUTJ85C-LH-BX	NUTJ85C-LH-316	NUTJ85C-LH-STLBX	NUTJ85C-LH-BR
1-3/4-16	2-5/8	31/32	NUTJ85EF-LH	NUTJ85EF-LH-BX	NUTJ85EF-LH-316	NUTJ85EF-LH-STLBX	NUTJ85EF-LH-BR
2-4-1/2	3	1-3/32	NUTJ86C-LH	NUTJ86C-LH-BX	NUTJ86C-LH-316	NUTJ86C-LH-STLBX	NUTJ86C-LH-BR
2-12	3	1-3/32	NUTJ86EF-LH	NUTJ86EF-LH-BX	NUTJ86EF-LH-316	NUTJ86EF-LH-STLBX	NUTJ86EF-LH-BR
9/16-12	7/8	5/16	NUTJ91C-LH	NUTJ91C-LH-BX	NUTJ91C-LH-316	NUTJ91C-LH-STLBX	NUTJ91C-LH-BR
9/16-18	7/8	5/16	NUTJ91F-LH	NUTJ91F-LH-BX	NUTJ91F-LH-316	NUTJ91F-LH-STLBX	NUTJ91F-LH-BR

Left-Handed Threads

18-8 SS, 316 SS,
Steel, Brass

Thin Hex Nuts Left Hand Thread – Metric

18-8 SS, 316 SS, Steel and Brass



Thread Size	Width	Height	18-8 SS Part Number	18-8 SS, Blk Ox. Part Number	316 SS Part Number	Steel, Black Ox. Part Number	Brass, Part Number
M3 x 0.35	5.5	1.8	NUTJM3X0.35-LH	NUTJM3X0.35-LH-BX	NUTJM3X0.35-LH-316	NUTJM3X0.35-LH-STLBX	NUTJM3X0.35-LH-BR
M3 x 0.50	5.5	1.8	NUTJM3X0.5-LH	NUTJM3X0.5-LH-BX	NUTJM3X0.5-LH-316	NUTJM3X0.5-LH-STLBX	NUTJM3X0.5-LH-BR
M4 x 0.50	7	2.2	NUTJM4X0.5-LH	NUTJM4X0.5-LH-BX	NUTJM4X0.5-LH-316	NUTJM4X0.5-LH-STLBX	NUTJM4X0.5-LH-BR
M4 x 0.70	7	2.2	NUTJM4X0.7-LH	NUTJM4X0.7-LH-BX	NUTJM4X0.7-LH-316	NUTJM4X0.7-LH-STLBX	NUTJM4X0.7-LH-BR
M5 x 0.50	8	2.7	NUTJM5X0.5-LH	NUTJM5X0.5-LH-BX	NUTJM5X0.5-LH-316	NUTJM5X0.5-LH-STLBX	NUTJM5X0.5-LH-BR
M5 x 0.80	8	2.7	NUTJM5X0.8-LH	NUTJM5X0.8-LH-BX	NUTJM5X0.8-LH-316	NUTJM5X0.8-LH-STLBX	NUTJM5X0.8-LH-BR
M6 x 0.75	10	3.2	NUTJM6X0.75-LH	NUTJM6X0.75-LH-BX	NUTJM6X0.75-LH-316	NUTJM6X0.75-LH-STLBX	NUTJM6X0.75-LH-BR
M6 x 1	10	3.2	NUTJM6X1-LH	NUTJM6X1-LH-BX	NUTJM6X1-LH-316	NUTJM6X1-LH-STLBX	NUTJM6X1-LH-BR
M8 x 1.25	13	4	NUTJM8X1.25-LH	NUTJM8X1.25-LH-BX	NUTJM8X1.25-LH-316	NUTJM8X1.25-LH-STLBX	NUTJM8X1.25-LH-BR
M8 x 1	13	4	NUTJM8X1-LH	NUTJM8X1-LH-BX	NUTJM8X1-LH-316	NUTJM8X1-LH-STLBX	NUTJM8X1-LH-BR
M10 x 1.5	17	5	NUTJM10X1.5-LH	NUTJM10X1.5-LH-BX	NUTJM10X1.5-LH-316	NUTJM10X1.5-LH-STLBX	NUTJM10X1.5-LH-BR
M10 x 1	17	5	NUTJM10X1-LH	NUTJM10X1-LH-BX	NUTJM10X1-LH-316	NUTJM10X1-LH-STLBX	NUTJM10X1-LH-BR
M12 x 1.5	19	6	NUTJM12X1.5-LH	NUTJM12X1.5-LH-BX	NUTJM12X1.5-LH-316	NUTJM12X1.5-LH-STLBX	NUTJM12X1.5-LH-BR
M12 x 1.75	19	6	NUTJM12X1.75-LH	NUTJM12X1.75-LH-BX	NUTJM12X1.75-LH-316	NUTJM12X1.75-LH-STLBX	NUTJM12X1.75-LH-BR
M14 x 1.5	22	7	NUTJM14X1.5-LH	NUTJM14X1.5-LH-BX	NUTJM14X1.5-LH-316	NUTJM14X1.5-LH-STLBX	NUTJM14X1.5-LH-BR
M14 x 2	22	7	NUTJM14X2-LH	NUTJM14X2-LH-BX	NUTJM14X2-LH-316	NUTJM14X2-LH-STLBX	NUTJM14X2-LH-BR
M16 x 1.5	24	8	NUTJM16X1.5-LH	NUTJM16X1.5-LH-BX	NUTJM16X1.5-LH-316	NUTJM16X1.5-LH-STLBX	NUTJM16X1.5-LH-BR
M16 x 2	24	8	NUTJM16X2-LH	NUTJM16X2-LH-BX	NUTJM16X2-LH-316	NUTJM16X2-LH-STLBX	NUTJM16X2-LH-BR
M18 x 1.5	27	9	NUTJM18X1.5-LH	NUTJM18X1.5-LH-BX	NUTJM18X1.5-LH-316	NUTJM18X1.5-LH-STLBX	NUTJM18X1.5-LH-BR
M18 x 2.5	27	9	NUTJM18X2.5-LH	NUTJM18X2.5-LH-BX	NUTJM18X2.5-LH-316	NUTJM18X2.5-LH-STLBX	NUTJM18X2.5-LH-BR
M20 x 1.5	30	10	NUTJM20X1.5-LH	NUTJM20X1.5-LH-BX	NUTJM20X1.5-LH-316	NUTJM20X1.5-LH-STLBX	NUTJM20X1.5-LH-BR
M20 x 2.5	30	10	NUTJM20X2.5-LH	NUTJM20X2.5-LH-BX	NUTJM20X2.5-LH-316	NUTJM20X2.5-LH-STLBX	NUTJM20X2.5-LH-BR
M22 x 1.5	32	11	NUTJM22X1.5-LH	NUTJM22X1.5-LH-BX	NUTJM22X1.5-LH-316	NUTJM22X1.5-LH-STLBX	NUTJM22X1.5-LH-BR
M22 x 2.5	32	11	NUTJM22X2.5-LH	NUTJM22X2.5-LH-BX	NUTJM22X2.5-LH-316	NUTJM22X2.5-LH-STLBX	NUTJM22X2.5-LH-BR
M24 x 1.5	36	12	NUTJM24X1.5-LH	NUTJM24X1.5-LH-BX	NUTJM24X1.5-LH-316	NUTJM24X1.5-LH-STLBX	NUTJM24X1.5-LH-BR
M24 x 3	36	12	NUTJM24X3-LH	NUTJM24X3-LH-BX	NUTJM24X3-LH-316	NUTJM24X3-LH-STLBX	NUTJM24X3-LH-BR
M27 x 1.5	41	13.5	NUTJM27X1.5-LH	NUTJM27X1.5-LH-BX	NUTJM27X1.5-LH-316	NUTJM27X1.5-LH-STLBX	NUTJM27X1.5-LH-BR
M27 x 2	41	13.5	NUTJM27X2-LH	NUTJM27X2-LH-BX	NUTJM27X2-LH-316	NUTJM27X2-LH-STLBX	NUTJM27X2-LH-BR
M27 x 3	41	13.5	NUTJM27X3-LH	NUTJM27X3-LH-BX	NUTJM27X3-LH-316	NUTJM27X3-LH-STLBX	NUTJM27X3-LH-BR
M30 x 1.5	46	15	NUTJM30X1.5-LH	NUTJM30X1.5-LH-BX	NUTJM30X1.5-LH-316	NUTJM30X1.5-LH-STLBX	NUTJM30X1.5-LH-BR
M30 x 2	46	15	NUTJM30X2-LH	NUTJM30X2-LH-BX	NUTJM30X2-LH-316	NUTJM30X2-LH-STLBX	NUTJM30X2-LH-BR
M30 x 3.5	46	15	NUTJM30X3.5-LH	NUTJM30X3.5-LH-BX	NUTJM30X3.5-LH-316	NUTJM30X3.5-LH-STLBX	NUTJM30X3.5-LH-BR
M33 x 2	50	16.5	NUTJM33X2-LH	NUTJM33X2-LH-BX	NUTJM33X2-LH-316	NUTJM33X2-LH-STLBX	NUTJM33X2-LH-BR
M33 x 3.5	50	16.5	NUTJM33X3.5-LH	NUTJM33X3.5-LH-BX	NUTJM33X3.5-LH-316	NUTJM33X3.5-LH-STLBX	NUTJM33X3.5-LH-BR



Longevity

Since 1995, Accurate Manufactured Products Group (AMPG) has been a stocking manufacturer of precision components, hard-to-find fasteners and industrial products.



Strategic Location

AMPG's 121,600 square foot facility is located in the Heart of the Midwest which gives us access to high-quality machinists/employees as well as being strategically located for fast delivery.



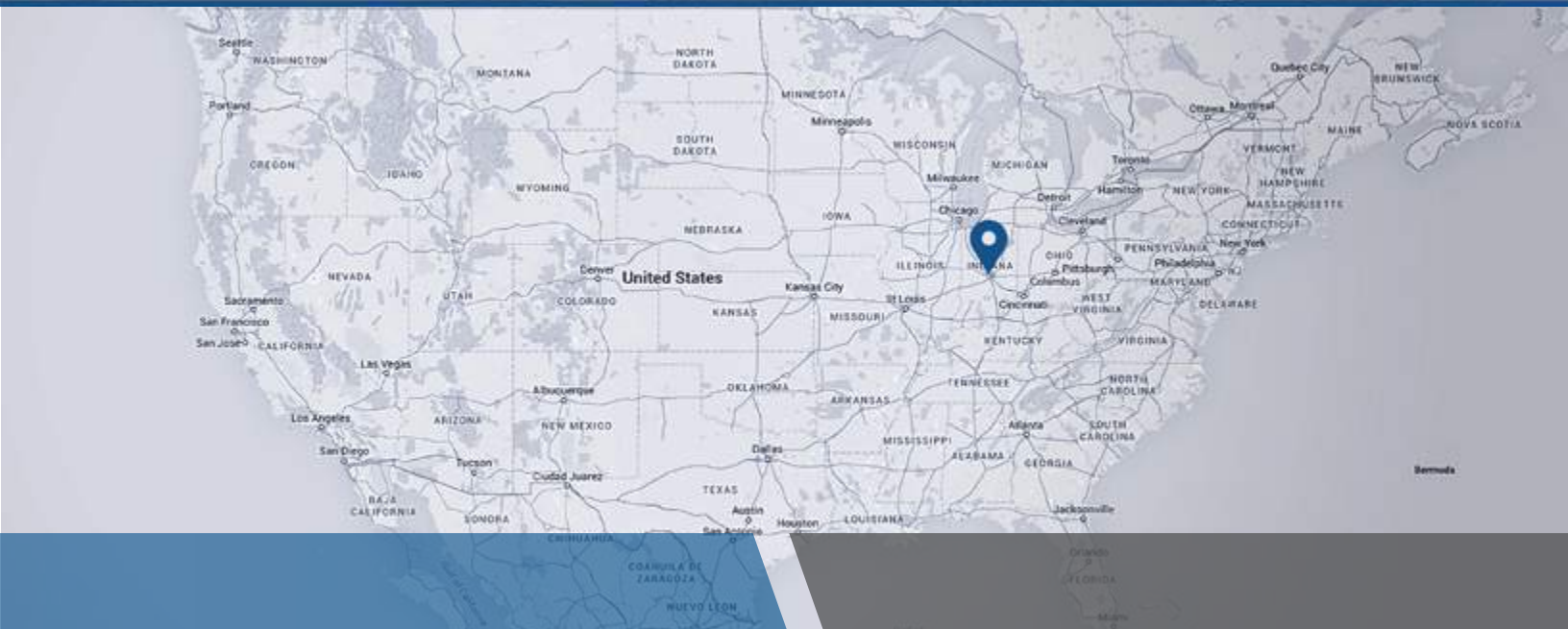
Advanced Equipment

Our manufacturing facility operates 24/7, producing precision parts on state-of-the-art CNC Swiss Lathes. Parts are made from high quality materials with a superior machined finish.



Superior Quality

Our advanced electronic Quality Control systems are employed on the manufacturing floor to catch trends before bad parts are produced.





ACCURATE
MANUFACTURED
PRODUCTS
GROUP



Visit us online at ampg.com or email sales@ampg.com

8090 Woodland Drive
Indianapolis, IN 46278

p: 317.472.9000
f: 317.472.9010

Follow Us On Social Media



@AMPG.USA



@AMPG_USA



@ampg_design



@AMPG