



ACCURATE  
MANUFACTURED  
PRODUCTS  
GROUP

# Threaded Adapters



CATVer.2

Visit us online at [ampg.com](http://ampg.com) or email [sales@ampg.com](mailto:sales@ampg.com)

8090 Woodland Drive  
Indianapolis, IN 46278

p: 317.472.9000  
f: 317.472.9010

# “Beautiful Parts, Right Now”



## Longevity

AMPG is a privately-owned family business started by current management in 1987. With the second generation in the business, already for many years, we are realizing a future of serving our customers, collaborating with our employees, and contributing to a vibrant domestic manufacturing economy.

## Philosophy

We are proud to be an American manufacturer dedicated to solving large problems that affect small numbers of customers. We are committed to our team, our products, and our customers.

Our continuous capital investments in production equipment, employees, automation, and inspection technologies allows us to design thousands of new items a year, get them into large distributor channels and produce on demand small quantities in a few days.

## Stock & Custom...**FAST**

As a precision manufacturer of specialized fasteners, architectural hardware, mechanical components and industrial accessories, AMPG stocks over 80,000 products. We also offer custom manufacturing supported by design, product testing and engineering services. To see the latest and most complete catalog of our over 80,000 different items, visit [www.ampg.com](http://www.ampg.com).

## How to Buy Our Products

Visit us [online](#), email us at [sales@ampg.com](mailto:sales@ampg.com) or give us a call at **317.472.9000** and we can help you with your inquiry. Our stock line of parts ships same day from Indianapolis, Indiana.



## Page

## Description

[K-4 to K-34](#)

Male-Female Hex Thread Adapters, [Inch](#) and [Metric](#)

[K-35 to K-56](#)

Male-Male Hex Thread Adapters, [Inch](#) and [Metric](#)

[K-57](#)

Female Hex Thread Adapters

[K-57 to K-63](#)

Inch to Inch

[K-64 to K-74](#)

Inch to Metric

[K-75 to K-77](#)

Metric to Metric

[K-78](#)

Round Thread Adapters

[K-79](#)

Male-Female Slotted Adapters



## Male-Female Hex Thread Adapters – Inch & Metric

316 Stainless Steel | Plain  
18-8 Stainless Steel | Plain  
Aluminum | Plain  
Steel | Zinc Steel | Black Oxide

### Product Information

These Male-Female Hex Thread Adapters are available in Inch-to-Inch, Inch-to-Metric, and Metric-to-Metric sizes.

Join threads with small diameters to large or course threads to fine with these inch-sized adapters. Use them to position components in an assembly, or to create space between parts. An external hex lets you tighten or loosen them with a wrench.

Change inch threads to metric with these adapters, or swap metric threads for inch. An external hex lets you tighten or loosen them with a wrench. You can also use them to increase or reduce your thread size, or to create space between parts in an assembly. They meet ASTM specifications, which means the materials they are made from or plated with adhere to specific standards for chemical and physical properties, such as hardness.

- **Stainless Steel 18-8 (303)** : Type 303 (18-8) stainless steel offers excellent corrosion resistance. Maybe mildly magnetic. The most widely used stainless steel used in chemical and food processing equipment. Corrosion resistant to a wide range of chemicals; most dyes, food and nitric acid. For areas exposed to salt water or chemicals, 316 stainless steel adapters are the best choice. Only harsh chemicals, such as hydrochloric acid, will cause them to corrode.
- **Stainless Steel 316 (316/316L)** : Type 316 stainless steel is a chrome-nickel steel with superior corrosion resistance than 303 stainless steel. Widely used in chemical processing and marine environments, as the molybdenum in 316 stainless steel has higher resistance to chlorides. Type 316 is generally considered non-magnetic, but can become magnetic when cold worked.
- **Aluminum** : Aluminum has the strength of mild steel with one third the weight. Material is nonmagnetic. A corrosion resistant layer forms naturally on its surface, so aluminum offers good corrosion resistance to salt water and chemicals.
- **Black Oxide Steel** : Steel offers low strength properties and is magnetic. Steel is used in many general purpose applications and has a black oxide finish to prevent rust.



18-8 Stainless Steel



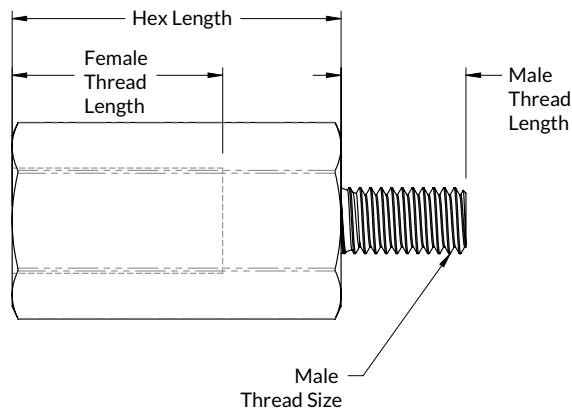
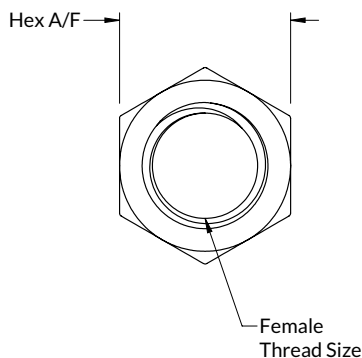
316 Stainless Steel



Aluminum



Black Oxide Steel



## Male-Female Hex Thread Adapters



Male Thread A Side	Male Thd Lth A Side	Female Thread B Side	Female Thd Lth B Side	Hex A/F	Hex Length	Material	Part Number
2-56	5/32	4-40	1/4	1/4	1/2	316	ZTA2CX4C-316
2-56	5/32	6-32	1/4	1/4	1/2	316	ZTA2CX6C-316
2-56	5/32	8-32	1/4	1/4	1/2	316	ZTA2CX8CF-316
4-40	3/16	6-32	1/4	1/4	1/2	316	ZTA4CX6C-316
4-40	3/16	8-32	1/4	1/4	1/2	316	ZTA4CX8C-316
4-40	3/16	10-24	1/4	1/4	1/2	18-8	ZTA4CX10C-188
4-40	3/16	10-24	1/4	1/4	1/2	316	ZTA4CX10C-316
4-40	3/16	10-32	1/4	1/4	1/2	316	ZTA4CX10F-316
4-48	3/16	4-40	7/32	1/4	1/2	18-8	ZTA4FX4C-188
4-48	3/16	6-32	1/4	1/4	1/2	18-8	ZTA4FX6C-188
6-32	1/4	10-24	7/16	3/8	3/4	18-8	ZTA6CX10C-188
6-32	1/4	10-32	7/16	3/8	3/4	316	ZTA6CX10F-316
6-32	1/4	1/4-20	7/16	3/8	3/4	18-8	ZTA6CX14C-188
6-32	1/4	1/4-20	7/16	3/8	3/4	316	ZTA6CX14C-316
6-32	1/4	1/4-20	7/16	3/8	3/4	Alum	ZTA6CX14C-AL
6-32	1/4	4-40	1/4	1/4	1/2	316	ZTA6CX4C-316
6-32	1/4	8-32	7/16	3/8	3/4	316	ZTA6CX8C-316
6-32	1/4	M4 x 0.7	1/8	1/4	1/2	316	ZTA6CXM4C-316
6-32	1/4	M5 x 0.8	1/8	1/4	1/2	316	ZTA6CXM5C-316
6-40	1/4	4-40	1/4	1/4	1/2	18-8	ZTA6FX4C-188
6-40	1/4	4-40	1/4	1/4	1/2	316	ZTA6FX4C-316
6-40	1/4	6-32	7/16	3/8	3/4	18-8	ZTA6FX6C-188
6-40	1/4	8-32	7/16	3/8	3/4	18-8	ZTA6FX8C-188
6-40	1/4	M4 x 0.7	1/8	1/4	1/2	18-8	ZTA6FXM4C-188
6-40	1/4	M4 x 0.7	1/8	1/4	1/2	316	ZTA6FXM4C-316
6-40	1/4	M5 x 0.8	1/8	1/4	1/2	18-8	ZTA6FXM5C-188
6-40	1/4	M5 x 0.8	1/8	1/4	1/2	316	ZTA6FXM5C-316
8-32	21/64	10-32	9/32	3/8	3/4	316	ZTA8CX10F-316
8-32	3/8	10-24	7/16	3/8	3/4	316	ZTA8CX10C-316
8-32	3/8	1/4-20	9/32	1/2	3/4	316	ZTA8CX14C-316
8-32	3/8	5/16-18	9/32	1/2	3/4	316	ZTA8CX51C-316
8-32	3/8	6-32	1/4	3/8	1/2	316	ZTA8CX6C-316
8-32	3/8	M5 x 0.8	3/8	3/8	3/4	316	ZTA8CXM5C-316
8-32	3/8	M6 x 1	3/8	3/8	3/4	316	ZTA8CXM6C-316
8-36	21/64	10-32	9/32	3/8	3/4	18-8	ZTA8FX10F-188
8-36	21/64	10-32	9/32	3/8	3/4	316	ZTA8FX10F-316
8-36	3/8	10-24	7/16	3/8	3/4	18-8	ZTA8FX10C-188
8-36	3/8	6-32	1/4	3/8	1/2	18-8	ZTA8FX6C-188
8-36	3/8	8-32	7/16	3/8	3/4	18-8	ZTA8FX8C-188

# Threaded Adapters

18-8 SS, 316 SS,  
Alum, Steel



## Male-Female Hex Thread Adapters

Male Thread A Side	Male Thd Lth A Side	Female Thread B Side	Female Thd Lth B Side	Hex A/F	Hex Length	Material	Part Number
8-36	3/8	M5 x 0.8	3/8	3/8	3/4	18-8	ZTA8FXM5C-188
8-36	3/8	M5 x 0.8	3/8	3/8	3/4	316	ZTA8FXM5C-316
8-36	3/8	M6 x 1	3/8	3/8	3/4	18-8	ZTA8FXM6C-188
8-36	3/8	M6 x 1	3/8	3/8	3/4	316	ZTA8FXM6C-316
10-24	3/8	10-32	1/2	3/8	3/4	316	ZTA10CX10F-316
10-24	3/8	1/4-20	3/8	1/2	3/4	18-8	ZTA10CX14C-188
10-24	3/8	1/4-20	3/8	1/2	3/4	316	ZTA10CX14C-316
10-24	3/8	1/4-20	3/8	1/2	3/4	Alum	ZTA10CX14C-AL
10-24	3/8	1/4-32	3/8	1/2	3/4	18-8	ZTA10CX14EF-188
10-24	3/8	1/4-28	3/8	1/2	3/4	18-8	ZTA10CX14F-188
10-24	3/8	3/8-16	9/16	1/2	1	18-8	ZTA10CX38C-188
10-24	3/8	3/8-16	9/16	1/2	1	316	ZTA10CX38C-316
10-24	3/8	3/8-16	9/16	1/2	1	Alum	ZTA10CX38C-AL
10-24	3/8	3/8-16	9/16	1/2	1	Stl Blk	ZTA10CX38CSTL-B
10-24	3/8	5/16-18	3/8	1/2	3/4	18-8	ZTA10CX51C-188
10-24	3/8	5/16-18	3/8	1/2	3/4	316	ZTA10CX51C-316
10-24	3/8	5/16-32	3/8	1/2	3/4	18-8	ZTA10CX51EF-188
10-24	3/8	5/16-24	3/8	1/2	3/4	18-8	ZTA10CX51F-188
10-24	3/8	8-32	9/32	3/8	3/4	18-8	ZTA10CX8C-188
10-24	3/8	8-32	9/32	3/8	3/4	316	ZTA10CX8C-316
10-24	3/8	M5 x 0.8	3/8	3/8	3/4	18-8	ZTA10CXM5C-188
10-24	3/8	M5 x 0.8	3/8	3/8	3/4	316	ZTA10CXM5C-316
10-24	3/8	M6 x 1	7/16	3/8	3/4	18-8	ZTA10CXM6C-188
10-24	3/8	M6 x 1	7/16	3/8	3/4	316	ZTA10CXM6C-316
10-24	3/8	M8 x 1.25	7/16	1/2	3/4	18-8	ZTA10CXM8C-188
10-24	3/8	M8 x 1.25	7/16	1/2	3/4	316	ZTA10CXM8C-316
10-24	3/8	M8 x 1	7/16	1/2	3/4	18-8	ZTA10CXM8F-188
10-24	3/8	M8 x 1	7/16	1/2	3/4	316	ZTA10CXM8F-316
10-32	3/8	10-24	7/16	3/8	3/4	316	ZTA10FX10C-316
10-32	3/8	1/4-20	3/8	1/2	3/4	316	ZTA10FX14C-316
10-32	3/8	1/4-32	3/8	1/2	3/4	18-8	ZTA10FX14EF-188
10-32	3/8	1/4-28	3/8	1/2	3/4	18-8	ZTA10FX14F-188
10-32	3/8	3/8-16	9/16	1/2	1	18-8	ZTA10FX38C-188
10-32	3/8	3/8-16	9/16	1/2	1	316	ZTA10FX38C-316
10-32	3/8	3/8-16	9/16	1/2	1	Alum	ZTA10FX38C-AL
10-32	3/8	3/8-16	9/16	1/2	1	Stl Blk	ZTA10FX38CSTL-B
10-32	3/8	5/16-18	3/8	1/2	3/4	316	ZTA10FX51C-316
10-32	3/8	5/16-32	3/8	1/2	3/4	18-8	ZTA10FX51EF-188
10-32	3/8	5/16-24	3/8	1/2	3/4	18-8	ZTA10FX51F-188
10-32	3/8	5/16-24	3/8	1/2	3/4	316	ZTA10FX51F-316

## Male-Female Hex Thread Adapters



Male Thread A Side	Male Thd Lth A Side	Female Thread B Side	Female Thd Lth B Side	Hex A/F	Hex Length	Material	Part Number
10-32	3/8	8-32	9/32	3/8	3/4	316	ZTA10FX8C-316
10-32	3/8	M5 x 0.8	3/8	3/8	3/4	316	ZTA10FXM5C-316
10-32	3/8	M6 x 1	7/16	3/8	3/4	316	ZTA10FXM6C-316
10-32	3/8	M6 x .750	7/16	3/8	3/4	18-8	ZTA10FXM6F-188
10-32	3/8	M8 x 1.25	7/16	1/2	3/4	316	ZTA10FXM8C-316
10-32	3/8	M8 x 1	7/16	1/2	3/4	18-8	ZTA10FXM8F-188
10-32	3/8	M8 x 1	7/16	1/2	3/4	316	ZTA10FXM8F-316
1/4-20	1/2	10-32	9/32	1/2	3/4	316	ZTA14CX10F-316
1/4-20	1/2	1/2-13	3/4	3/4	1-1/2	316	ZTA14CX12C-316
1/4-20	1/2	1/2-13	3/4	3/4	1-1/2	Alum	ZTA14CX12C-AL
1/4-20	1/2	1/2-28	3/4	3/4	1-1/2	18-8	ZTA14CX12EF-188
1/4-20	1/2	1/2-28	3/4	3/4	1-1/2	316	ZTA14CX12EF-316
1/4-20	1/2	1/2-20	3/4	3/4	1-1/2	18-8	ZTA14CX12F-188
1/4-20	1/2	1/2-20	3/4	3/4	1-1/2	316	ZTA14CX12F-316
1/4-20	1/2	1/2-20	3/4	3/4	1-1/2	Alum	ZTA14CX12F-AL
1/4-20	1/2	1/2-20	3/4	3/4	1-1/2	Stl Blk	ZTA14CX12FSTL-B
1/4-20	1/2	3/8-16	9/16	5/8	1	316	ZTA14CX38C-316
1/4-20	1/2	3/8-16	9/16	5/8	1	Alum	ZTA14CX38C-AL
1/4-20	1/2	3/8-32	9/16	5/8	1	18-8	ZTA14CX38EF-188
1/4-20	1/2	3/8-32	9/16	5/8	1	316	ZTA14CX38EF-316
1/4-20	1/2	3/8-24	9/16	5/8	1	18-8	ZTA14CX38F-188
1/4-20	1/2	3/8-24	9/16	5/8	1	316	ZTA14CX38F-316
1/4-20	1/2	3/8-24	9/16	5/8	1	Alum	ZTA14CX38F-AL
1/4-20	1/2	5/16-18	15/32	1/2	1	316	ZTA14CX51C-316
1/4-20	1/2	5/16-32	15/32	1/2	1	18-8	ZTA14CX51EF-188
1/4-20	1/2	5/16-24	15/32	1/2	1	18-8	ZTA14CX51F-188
1/4-20	1/2	5/16-24	15/32	1/2	1	316	ZTA14CX51F-316
1/4-20	1/2	M10 x 1.5	9/16	5/8	1	18-8	ZTA14CXM10C-188
1/4-20	1/2	M10 x 1.5	9/16	5/8	1	316	ZTA14CXM10C-316
1/4-20	1/2	M10 x 1.5	9/16	5/8	1	Alum	ZTA14CXM10C-AL
1/4-20	1/2	M10 x 1	9/16	5/8	1	18-8	ZTA14CXM10EF-188
1/4-20	1/2	M10 x 1	9/16	5/8	1	316	ZTA14CXM10EF-316
1/4-20	1/2	M10 x 1	9/16	5/8	1	Alum	ZTA14CXM10EF-AL
1/4-20	1/2	M10 x 1.25	9/16	5/8	1	18-8	ZTA14CXM10F-188
1/4-20	1/2	M10 x 1.25	9/16	5/8	1	316	ZTA14CXM10F-316
1/4-20	1/2	M10 x 1.25	9/16	5/8	1	Alum	ZTA14CXM10F-AL
1/4-20	1/2	M12 x 1.75	3/4	3/4	1-1/2	18-8	ZTA14CXM12C-188
1/4-20	1/2	M12 x 1.75	3/4	3/4	1-1/2	316	ZTA14CXM12C-316
1/4-20	1/2	M12 x 1.75	3/4	3/4	1-1/2	Alum	ZTA14CXM12C-AL
1/4-20	1/2	M12 x 1.25	3/4	3/4	1-1/2	18-8	ZTA14CXM12EF-188
1/4-20	1/2	M12 x 1.25	3/4	3/4	1-1/2	316	ZTA14CXM12EF-316

# Threaded Adapters

18-8 SS, 316 SS,  
Alum, Steel



## Male-Female Hex Thread Adapters

Male Thread A Side	Male Thd Lth A Side	Female Thread B Side	Female Thd Lth B Side	Hex A/F	Hex Length	Material	Part Number
1/4-20	1/2	M12 x 1.25	3/4	3/4	1-1/2	Alum	ZTA14CXM12EF-AL
1/4-20	1/2	M12 x 1.5	3/4	3/4	1-1/2	18-8	ZTA14CXM12F-188
1/4-20	1/2	M12 x 1.5	3/4	3/4	1-1/2	316	ZTA14CXM12F-316
1/4-20	1/2	M12 x 1.5	3/4	3/4	1-1/2	Alum	ZTA14CXM12F-AL
1/4-20	5/8	10-24	7/16	1/2	3/4	316	ZTA14CX10C-316
1/4-20	5/8	1/4-32	5/8	1/2	1	18-8	ZTA14CX14EF-188
1/4-20	5/8	1/4-28	5/8	1/2	1	316	ZTA14CX14F-316
1/4-20	5/8	M5 x 0.8	7/16	1/2	3/4	316	ZTA14CXM5C-316
1/4-20	5/8	M5 x 0.5	7/16	1/2	3/4	18-8	ZTA14CXM5F-188
1/4-20	5/8	M6 x 1	7/16	1/2	3/4	316	ZTA14CXM6C-316
1/4-20	5/8	M6 x .750	7/16	1/2	3/4	18-8	ZTA14CXM6F-188
1/4-20	5/8	M8 x 1.25	3/8	1/2	3/4	316	ZTA14CXM8C-316
1/4-20	5/8	M8 x 1	3/8	1/2	3/4	18-8	ZTA14CXM8F-188
1/4-20	5/8	M8 x 1	3/8	1/2	3/4	316	ZTA14CXM8F-316
1/4-28	1/2	10-32	9/32	1/2	3/4	18-8	ZTA14FX10F-188
1/4-28	1/2	10-32	9/32	1/2	3/4	316	ZTA14FX10F-316
1/4-28	1/2	1/2-13	3/4	3/4	1-1/2	18-8	ZTA14FX12C-188
1/4-28	1/2	1/2-13	3/4	3/4	1-1/2	316	ZTA14FX12C-316
1/4-28	1/2	1/2-13	3/4	3/4	1-1/2	Alum	ZTA14FX12C-AL
1/4-28	1/2	1/2-13	3/4	3/4	1-1/2	Stl Blk	ZTA14FX12CSTL-B
1/4-28	1/2	1/2-28	3/4	3/4	1-1/2	18-8	ZTA14FX12EF-188
1/4-28	1/2	1/2-20	3/4	3/4	1-1/2	18-8	ZTA14FX12F-188
1/4-28	1/2	1/2-20	3/4	3/4	1-1/2	316	ZTA14FX12F-316
1/4-28	1/2	3/8-16	9/16	5/8	1	18-8	ZTA14FX38C-188
1/4-28	1/2	3/8-16	9/16	5/8	1	316	ZTA14FX38C-316
1/4-28	1/2	3/8-16	9/16	5/8	1	Alum	ZTA14FX38C-AL
1/4-28	1/2	3/8-16	9/16	5/8	1	Stl Blk	ZTA14FX38CSTL-B
1/4-28	1/2	3/8-32	9/16	5/8	1	18-8	ZTA14FX38EF-188
1/4-28	1/2	3/8-24	9/16	5/8	1	18-8	ZTA14FX38F-188
1/4-28	1/2	5/16-18	15/32	1/2	1	18-8	ZTA14FX51C-188
1/4-28	1/2	5/16-18	15/32	1/2	1	316	ZTA14FX51C-316
1/4-28	1/2	5/16-32	15/32	1/2	1	18-8	ZTA14FX51EF-188
1/4-28	1/2	5/16-24	15/32	1/2	1	18-8	ZTA14FX51F-188
1/4-28	1/2	M10 x 1.5	9/16	5/8	1	18-8	ZTA14FXM10C-188
1/4-28	1/2	M10 x 1.5	9/16	5/8	1	316	ZTA14FXM10C-316
1/4-28	1/2	M10 x 1	9/16	5/8	1	18-8	ZTA14FXM10EF-188
1/4-28	1/2	M10 x 1.25	9/16	5/8	1	18-8	ZTA14FXM10F-188
1/4-28	1/2	M10 x 1.25	9/16	5/8	1	316	ZTA14FXM10F-316
1/4-28	1/2	M12 x 1.75	3/4	3/4	1-1/2	18-8	ZTA14FXM12C-188
1/4-28	1/2	M12 x 1.75	3/4	3/4	1-1/2	316	ZTA14FXM12C-316

## Male-Female Hex Thread Adapters



Male Thread A Side	Male Thd Lth A Side	Female Thread B Side	Female Thd Lth B Side	Hex A/F	Hex Length	Material	Part Number
1/4-28	1/2	M12 x 1.25	3/4	3/4	1-1/2	18-8	ZTA14FXM12EF-188
1/4-28	1/2	M12 x 1.25	3/4	3/4	1-1/2	316	ZTA14FXM12EF-316
1/4-28	1/2	M12 x 1.5	3/4	3/4	1-1/2	18-8	ZTA14FXM12F-188
1/4-28	1/2	M12 x 1.5	3/4	3/4	1-1/2	316	ZTA14FXM12F-316
1/4-28	5/8	10-24	7/16	1/2	3/4	18-8	ZTA14FX10C-188
1/4-28	5/8	1/4-20	5/8	1/2	1	18-8	ZTA14FX14C-188
1/4-28	5/8	1/4-20	5/8	1/2	1	316	ZTA14FX14C-316
1/4-28	5/8	1/4-20	5/8	1/2	1	Alum	ZTA14FX14C-AL
1/4-28	5/8	1/4-32	5/8	1/2	1	18-8	ZTA14FX14EF-188
1/4-28	5/8	M5 x 0.8	7/16	1/2	3/4	18-8	ZTA14FXM5C-188
1/4-28	5/8	M5 x 0.8	7/16	1/2	3/4	316	ZTA14FXM5C-316
1/4-28	5/8	M6 x 1	7/16	1/2	3/4	18-8	ZTA14FXM6C-188
1/4-28	5/8	M6 x 1	7/16	1/2	3/4	316	ZTA14FXM6C-316
1/4-28	5/8	M8 x 1.25	3/8	1/2	3/4	18-8	ZTA14FXM8C-188
1/4-28	5/8	M8 x 1.25	3/8	1/2	3/4	316	ZTA14FXM8C-316
1/4-28	5/8	M8 x 1	3/8	1/2	3/4	18-8	ZTA14FXM8F-188
1/4-32	1/2	10-32	9/32	1/2	3/4	18-8	ZTA14EFX10F-188
1/4-32	1/2	10-32	9/32	1/2	3/4	316	ZTA14EFX10F-316
1/4-32	1/2	1/2-13	3/4	3/4	1-1/2	18-8	ZTA14EFX12C-188
1/4-32	1/2	1/2-13	3/4	3/4	1-1/2	316	ZTA14EFX12C-316
1/4-32	1/2	1/2-13	3/4	3/4	1-1/2	Alum	ZTA14EFX12C-AL
1/4-32	1/2	1/2-28	3/4	3/4	1-1/2	18-8	ZTA14EFX12EF-188
1/4-32	1/2	1/2-20	3/4	3/4	1-1/2	18-8	ZTA14EFX12F-188
1/4-32	1/2	1/2-20	3/4	3/4	1-1/2	316	ZTA14EFX12F-316
1/4-32	1/2	3/8-16	9/16	5/8	1	18-8	ZTA14EFX38C-188
1/4-32	1/2	3/8-16	9/16	5/8	1	316	ZTA14EFX38C-316
1/4-32	1/2	3/8-16	9/16	5/8	1	Alum	ZTA14EFX38C-AL
1/4-32	1/2	3/8-32	9/16	5/8	1	18-8	ZTA14EFX38EF-188
1/4-32	1/2	3/8-24	9/16	5/8	1	18-8	ZTA14EFX38F-188
1/4-32	1/2	5/16-18	15/32	1/2	1	18-8	ZTA14EFX51C-188
1/4-32	1/2	5/16-18	15/32	1/2	1	316	ZTA14EFX51C-316
1/4-32	1/2	5/16-24	15/32	1/2	1	18-8	ZTA14EFX51F-188
1/4-32	1/2	M10 x 1.5	9/16	5/8	1	18-8	ZTA14EFXM10C-188
1/4-32	1/2	M10 x 1	9/16	5/8	1	18-8	ZTA14EFXM10EF-188
1/4-32	1/2	M10 x 1.25	9/16	5/8	1	18-8	ZTA14EFXM10F-188
1/4-32	1/2	M12 x 1.75	3/4	3/4	1-1/2	18-8	ZTA14EFXM12C-188
1/4-32	1/2	M12 x 1.75	3/4	3/4	1-1/2	316	ZTA14EFXM12C-316
1/4-32	1/2	M12 x 1.25	3/4	3/4	1-1/2	18-8	ZTA14EFXM12EF-188
1/4-32	1/2	M12 x 1.25	3/4	3/4	1-1/2	316	ZTA14EFXM12EF-316
1/4-32	1/2	M12 x 1.5	3/4	3/4	1-1/2	18-8	ZTA14EFXM12F-188

# Threaded Adapters

18-8 SS, 316 SS,  
Alum, Steel

## Male-Female Hex Thread Adapters



Male Thread A Side	Male Thd Lth A Side	Female Thread B Side	Female Thd Lth B Side	Hex A/F	Hex Length	Material	Part Number
1/4-32	5/8	10-24	7/16	1/2	3/4	18-8	ZTA14EFX10C-188
1/4-32	5/8	1/4-20	5/8	1/2	1	18-8	ZTA14EFX14C-188
1/4-32	5/8	1/4-20	5/8	1/2	1	316	ZTA14EFX14C-316
1/4-32	5/8	1/4-28	5/8	1/2	1	18-8	ZTA14EFX14F-188
1/4-32	5/8	M5 x 0.8	7/16	1/2	3/4	18-8	ZTA14EFXM5C-188
1/4-32	5/8	M6 x 1	7/16	1/2	3/4	18-8	ZTA14EFXM6C-188
1/4-32	5/8	M6 x 1	7/16	1/2	3/4	316	ZTA14EFXM6C-316
1/4-32	5/8	M8 x 1.25	3/8	1/2	3/4	18-8	ZTA14EFXM8C-188
1/4-32	5/8	M8 x 1.25	3/8	1/2	3/4	316	ZTA14EFXM8C-316
1/4-32	5/8	M8 x 1	3/8	1/2	3/4	18-8	ZTA14EFXM8F-188
3/8-16	1/2	3/8-32	5/8	1/2	1	18-8	ZTA38CX38EF-188
3/8-16	1/2	3/8-32	5/8	1/2	1	316	ZTA38CX38EF-316
3/8-16	1/2	3/8-24	5/8	1/2	1	316	ZTA38CX38F-316
3/8-16	1/2	3/8-24	5/8	1/2	1	Alum	ZTA38CX38F-AL
3/8-16	1/2	M10 x 1.5	9/16	5/8	1	316	ZTA38CXM10C-316
3/8-16	1/2	M10 x 1.5	9/16	5/8	1	Alum	ZTA38CXM10C-AL
3/8-16	1/2	M10 x 1	9/16	5/8	1	18-8	ZTA38CXM10EF-188
3/8-16	1/2	M10 x 1	9/16	5/8	1	316	ZTA38CXM10EF-316
3/8-16	1/2	M10 x 1	9/16	5/8	1	Alum	ZTA38CXM10EF-AL
3/8-16	1/2	M10 x 1.25	9/16	5/8	1	18-8	ZTA38CXM10F-188
3/8-16	1/2	M10 x 1.25	9/16	5/8	1	316	ZTA38CXM10F-316
3/8-16	1/2	M10 x 1.25	9/16	5/8	1	Alum	ZTA38CXM10F-AL
3/8-16	1/2	M12 x 1.75	7/8	5/8	1-1/2	316	ZTA38CXM12C-316
3/8-16	1/2	M12 x 1.75	7/8	5/8	1-1/2	Alum	ZTA38CXM12C-AL
3/8-16	1/2	M12 x 1.25	7/8	5/8	1-1/2	18-8	ZTA38CXM12EF-188
3/8-16	1/2	M12 x 1.25	7/8	5/8	1-1/2	316	ZTA38CXM12EF-316
3/8-16	1/2	M12 x 1.25	7/8	5/8	1-1/2	Alum	ZTA38CXM12EF-AL
3/8-16	1/2	M12 x 1.5	7/8	5/8	1-1/2	18-8	ZTA38CXM12F-188
3/8-16	1/2	M12 x 1.5	7/8	5/8	1-1/2	316	ZTA38CXM12F-316
3/8-16	1/2	M12 x 1.5	7/8	5/8	1-1/2	Alum	ZTA38CXM12F-AL
3/8-16	3/4	1/2-13	3/4	3/4	1-1/2	316	ZTA38CX12C-316
3/8-16	3/4	1/2-13	3/4	3/4	1-1/2	Alum	ZTA38CX12C-AL
3/8-16	3/4	1/2-28	3/4	3/4	1-1/2	18-8	ZTA38CX12EF-188
3/8-16	3/4	1/2-28	3/4	3/4	1-1/2	316	ZTA38CX12EF-316
3/8-16	3/4	1/2-20	3/4	3/4	1-1/2	18-8	ZTA38CX12F-188
3/8-16	3/4	1/2-20	3/4	3/4	1-1/2	316	ZTA38CX12F-316
3/8-16	3/4	1/2-20	3/4	3/4	1-1/2	Alum	ZTA38CX12F-AL
3/8-16	3/4	1/4-20	3/8	5/8	1	316	ZTA38CX14C-316
3/8-16	3/4	1/4-20	3/8	5/8	1	Alum	ZTA38CX14C-AL
3/8-16	3/4	1/4-32	3/8	5/8	1	18-8	ZTA38CX14EF-188
3/8-16	3/4	1/4-28	3/8	5/8	1	18-8	ZTA38CX14F-188

## Male-Female Hex Thread Adapters



Male Thread A Side	Male Thd Lth A Side	Female Thread B Side	Female Thd Lth B Side	Hex A/F	Hex Length	Material	Part Number
3/8-16	3/4	1/4-28	3/8	5/8	1	316	ZTA38CX14F-316
3/8-16	3/4	1/4-28	3/8	5/8	1	Alum	ZTA38CX14F-AL
3/8-16	3/4	3/4-10	1	1-1/4	2-1/4	18-8	ZTA38CX34C-188
3/8-16	3/4	3/4-10	1	1-1/4	2-1/4	316	ZTA38CX34C-316
3/8-16	3/4	3/4-10	1	1-1/4	2-1/4	Alum	ZTA38CX34C-AL
3/8-16	3/4	3/4-10	1	1-1/4	2-1/4	Stl Blk	ZTA38CX34CSTL-B
3/8-16	3/4	5/16-18	15/32	5/8	1	316	ZTA38CX51C-316
3/8-16	3/4	5/16-18	15/32	5/8	1	Alum	ZTA38CX51C-AL
3/8-16	3/4	5/16-32	15/32	5/8	1	18-8	ZTA38CX51EF-188
3/8-16	3/4	5/16-24	15/32	5/8	1	18-8	ZTA38CX51F-188
3/8-16	3/4	5/16-24	15/32	5/8	1	316	ZTA38CX51F-316
3/8-16	3/4	5/16-24	15/32	5/8	1	Alum	ZTA38CX51F-AL
3/8-16	3/4	5/8-11	7/8	1	2	18-8	ZTA38CX58C-188
3/8-16	3/4	5/8-11	7/8	1	2	316	ZTA38CX58C-316
3/8-16	3/4	5/8-11	7/8	1	2	Alum	ZTA38CX58C-AL
3/8-16	3/4	5/8-11	7/8	1	2	Stl Blk	ZTA38CX58CSTL-B
3/8-16	3/4	M6 x 1	3/8	5/8	1	18-8	ZTA38CXM6C-188
3/8-16	3/4	M6 x 1	3/8	5/8	1	316	ZTA38CXM6C-316
3/8-16	3/4	M6 x 1	3/8	5/8	1	Alum	ZTA38CXM6C-AL
3/8-16	3/4	M6 x .750	3/8	5/8	1	18-8	ZTA38CXM6F-188
3/8-16	3/4	M8 x 1.25	15/32	5/8	1	18-8	ZTA38CXM8C-188
3/8-16	3/4	M8 x 1.25	15/32	5/8	1	316	ZTA38CXM8C-316
3/8-16	3/4	M8 x 1.25	15/32	5/8	1	Alum	ZTA38CXM8C-AL
3/8-16	3/4	M8 x 1	15/32	5/8	1	18-8	ZTA38CXM8F-188
3/8-16	3/4	M8 x 1	15/32	5/8	1	316	ZTA38CXM8F-316
3/8-16	3/4	M8 x 1	15/32	5/8	1	Alum	ZTA38CXM8F-AL
3/8-24	1/2	3/8-16	7/8	5/8	1-1/2	316	ZTA38FX38C-316
3/8-24	1/2	3/8-16	7/8	5/8	1-1/2	Alum	ZTA38FX38C-AL
3/8-24	1/2	3/8-32	7/8	5/8	1-1/2	18-8	ZTA38FX38EF-188
3/8-24	1/2	M10 x 1.5	9/16	5/8	1	18-8	ZTA38FXM10C-188
3/8-24	1/2	M10 x 1.5	9/16	5/8	1	316	ZTA38FXM10C-316
3/8-24	1/2	M10 x 1.5	9/16	5/8	1	Alum	ZTA38FXM10C-AL
3/8-24	1/2	M10 x 1	9/16	5/8	1	18-8	ZTA38FXM10EF-188
3/8-24	1/2	M10 x 1.25	9/16	5/8	1	18-8	ZTA38FXM10F-188
3/8-24	1/2	M10 x 1.25	9/16	5/8	1	316	ZTA38FXM10F-316
3/8-24	1/2	M12 x 1.75	7/8	5/8	1-1/2	18-8	ZTA38FXM12C-188
3/8-24	1/2	M12 x 1.75	7/8	5/8	1-1/2	316	ZTA38FXM12C-316
3/8-24	1/2	M12 x 1.25	7/8	5/8	1-1/2	18-8	ZTA38FXM12EF-188
3/8-24	1/2	M12 x 1.25	7/8	5/8	1-1/2	316	ZTA38FXM12EF-316
3/8-24	1/2	M12 x 1.5	7/8	5/8	1-1/2	18-8	ZTA38FXM12F-188

# Threaded Adapters

18-8 SS, 316 SS,  
Alum, Steel

## Male-Female Hex Thread Adapters



Male Thread A Side	Male Thd Lth A Side	Female Thread B Side	Female Thd Lth B Side	Hex A/F	Hex Length	Material	Part Number
3/8-24	1/2	M12 x 1.5	7/8	5/8	1-1/2	316	ZTA38FXM12F-316
3/8-24	3/4	1/2-13	3/4	3/4	1-1/2	18-8	ZTA38FX12C-188
3/8-24	3/4	1/2-13	3/4	3/4	1-1/2	316	ZTA38FX12C-316
3/8-24	3/4	1/2-13	3/4	3/4	1-1/2	Alum	ZTA38FX12C-AL
3/8-24	3/4	1/2-13	3/4	3/4	1-1/2	Stl Blk	ZTA38FX12CSTL-B
3/8-24	3/4	1/2-28	3/4	3/4	1-1/2	18-8	ZTA38FX12EF-188
3/8-24	3/4	1/2-20	3/4	3/4	1-1/2	18-8	ZTA38FX12F-188
3/8-24	3/4	1/2-20	3/4	3/4	1-1/2	316	ZTA38FX12F-316
3/8-24	3/4	1/4-20	3/8	5/8	1	18-8	ZTA38FX14C-188
3/8-24	3/4	1/4-20	3/8	5/8	1	316	ZTA38FX14C-316
3/8-24	3/4	1/4-20	3/8	5/8	1	Alum	ZTA38FX14C-AL
3/8-24	3/4	1/4-32	3/8	5/8	1	18-8	ZTA38FX14EF-188
3/8-24	3/4	1/4-28	3/8	5/8	1	18-8	ZTA38FX14F-188
3/8-24	3/4	3/8-16	9/16	5/8	1-1/2	Stl Blk	ZTA38FX38CSTL-B
3/8-24	3/4	5/16-18	15/32	5/8	1	18-8	ZTA38FX51C-188
3/8-24	3/4	5/16-18	15/32	5/8	1	316	ZTA38FX51C-316
3/8-24	3/4	5/16-18	15/32	5/8	1	Alum	ZTA38FX51C-AL
3/8-24	3/4	5/16-32	15/32	5/8	1	18-8	ZTA38FX51EF-188
3/8-24	3/4	5/16-24	15/32	5/8	1	18-8	ZTA38FX51F-188
3/8-24	3/4	M6 x 1	3/8	5/8	1	18-8	ZTA38FXM6C-188
3/8-24	3/4	M6 x 1	3/8	5/8	1	316	ZTA38FXM6C-316
3/8-24	3/4	M6 x 1	3/8	5/8	1	Alum	ZTA38FXM6C-AL
3/8-24	3/4	M6 x .750	3/8	5/8	1	18-8	ZTA38FXM6F-188
3/8-24	3/4	M8 x 1.25	15/32	5/8	1	18-8	ZTA38FXM8C-188
3/8-24	3/4	M8 x 1.25	15/32	5/8	1	316	ZTA38FXM8C-316
3/8-24	3/4	M8 x 1.25	15/32	5/8	1	Alum	ZTA38FXM8C-AL
3/8-24	3/4	M8 x 1	15/32	5/8	1	18-8	ZTA38FXM8F-188
3/8-24	3/4	M8 x 1	15/32	5/8	1	316	ZTA38FXM8F-316
3/8-32	1/2	3/8-16	5/8	1/2	1	18-8	ZTA38EFX38C-188
3/8-32	1/2	3/8-16	5/8	1/2	1	316	ZTA38EFX38C-316
3/8-32	1/2	3/8-24	5/8	1/2	1	18-8	ZTA38EFX38F-188
3/8-32	1/2	M10 x 1.5	9/16	5/8	1	18-8	ZTA38EFXM10C-188
3/8-32	1/2	M10 x 1.5	9/16	5/8	1	316	ZTA38EFXM10C-316
3/8-32	1/2	M10 x 1	9/16	5/8	1	18-8	ZTA38EFXM10EF-188
3/8-32	1/2	M10 x 1.25	9/16	5/8	1	18-8	ZTA38EFXM10F-188
3/8-32	1/2	M12 x 1.75	7/8	5/8	1-1/2	18-8	ZTA38EFXM12C-188
3/8-32	1/2	M12 x 1.75	7/8	5/8	1-1/2	316	ZTA38EFXM12C-316
3/8-32	1/2	M12 x 1.25	7/8	5/8	1-1/2	18-8	ZTA38EFXM12EF-188
3/8-32	1/2	M12 x 1.25	7/8	5/8	1-1/2	316	ZTA38EFXM12EF-316
3/8-32	1/2	M12 x 1.5	7/8	5/8	1-1/2	18-8	ZTA38EFXM12F-188
3/8-32	1/2	M12 x 1.5	7/8	5/8	1-1/2	316	ZTA38EFXM12F-316

## Male-Female Hex Thread Adapters



Male Thread A Side	Male Thd Lth A Side	Female Thread B Side	Female Thd Lth B Side	Hex A/F	Hex Length	Material	Part Number
3/8-32	3/4	1/2-13	3/4	3/4	1-1/2	18-8	ZTA38EFX12C-188
3/8-32	3/4	1/2-13	3/4	3/4	1-1/2	316	ZTA38EFX12C-316
3/8-32	3/4	1/2-13	3/4	3/4	1-1/2	Alum	ZTA38EFX12C-AL
3/8-32	3/4	1/2-20	3/4	3/4	1-1/2	18-8	ZTA38EFX12F-188
3/8-32	3/4	1/2-20	3/4	3/4	1-1/2	316	ZTA38EFX12F-316
3/8-32	3/4	1/4-20	3/8	5/8	1	18-8	ZTA38EFX14C-188
3/8-32	3/4	1/4-20	3/8	5/8	1	316	ZTA38EFX14C-316
3/8-32	3/4	1/4-20	3/8	5/8	1	Alum	ZTA38EFX14C-AL
3/8-32	3/4	1/4-32	3/8	5/8	1	18-8	ZTA38EFX14EF-188
3/8-32	3/4	1/4-28	3/8	5/8	1	18-8	ZTA38EFX14F-188
3/8-32	3/4	5/16-18	15/32	5/8	1	18-8	ZTA38EFX51C-188
3/8-32	3/4	5/16-18	15/32	5/8	1	316	ZTA38EFX51C-316
3/8-32	3/4	5/16-18	15/32	5/8	1	Alum	ZTA38EFX51C-AL
3/8-32	3/4	5/16-32	15/32	5/8	1	18-8	ZTA38EFX51EF-188
3/8-32	3/4	5/16-24	15/32	5/8	1	18-8	ZTA38EFX51F-188
3/8-32	3/4	M6 x 1	3/8	5/8	1	18-8	ZTA38EFXM6C-188
3/8-32	3/4	M6 x 1	3/8	5/8	1	316	ZTA38EFXM6C-316
3/8-32	3/4	M6 x 1	3/8	5/8	1	Alum	ZTA38EFXM6C-AL
3/8-32	3/4	M6 x .750	3/8	5/8	1	18-8	ZTA38EFXM6F-188
3/8-32	3/4	M8 x 1.25	15/32	5/8	1	18-8	ZTA38EFXM8C-188
3/8-32	3/4	M8 x 1.25	15/32	5/8	1	316	ZTA38EFXM8C-316
3/8-32	3/4	M8 x 1.25	15/32	5/8	1	Alum	ZTA38EFXM8C-AL
3/8-32	3/4	M8 x 1	15/32	5/8	1	18-8	ZTA38EFXM8F-188
5/16-18	5/8	10-24	7/16	1/2	3/4	316	ZTA51CX10C-316
5/16-18	5/8	10-32	9/32	1/2	3/4	316	ZTA51CX10F-316
5/16-18	5/8	1/2-13	11/16	3/4	1-1/2	18-8	ZTA51CX12C-188
5/16-18	5/8	1/2-13	11/16	3/4	1-1/2	316	ZTA51CX12C-316
5/16-18	5/8	1/2-13	11/16	3/4	1-1/2	Alum	ZTA51CX12C-AL
5/16-18	5/8	1/2-13	3/4	3/4	1-1/2	Stl Blk	ZTA51CX12CSTL-B
5/16-18	5/8	1/2-28	11/16	3/4	1-1/2	18-8	ZTA51CX12EF-188
5/16-18	5/8	1/2-28	11/16	3/4	1-1/2	316	ZTA51CX12EF-316
5/16-18	5/8	1/2-20	11/16	3/4	1-1/2	18-8	ZTA51CX12F-188
5/16-18	5/8	1/2-20	11/16	3/4	1-1/2	316	ZTA51CX12F-316
5/16-18	5/8	1/2-20	11/16	3/4	1-1/2	Alum	ZTA51CX12F-AL
5/16-18	5/8	1/4-20	3/8	1/2	1	316	ZTA51CX14C-316
5/16-18	5/8	1/4-32	3/8	1/2	1	18-8	ZTA51CX14EF-188
5/16-18	5/8	1/4-28	3/8	1/2	1	18-8	ZTA51CX14F-188
5/16-18	5/8	1/4-28	3/8	1/2	1	316	ZTA51CX14F-316
5/16-18	5/8	3/8-16	9/16	1/2	1	316	ZTA51CX38C-316
5/16-18	5/8	3/8-16	9/16	1/2	1	Alum	ZTA51CX38C-AL

# Threaded Adapters

18-8 SS, 316 SS,  
Alum, Steel

## Male-Female Hex Thread Adapters



Male Thread A Side	Male Thd Lth A Side	Female Thread B Side	Female Thd Lth B Side	Hex A/F	Hex Length	Material	Part Number
5/16-18	5/8	3/8-32	9/16	1/2	1	18-8	ZTA51CX38EF-188
5/16-18	5/8	3/8-24	9/16	1/2	1	18-8	ZTA51CX38F-188
5/16-18	5/8	3/8-24	9/16	1/2	1	316	ZTA51CX38F-316
5/16-18	5/8	5/16-32	5/8	1/2	1	18-8	ZTA51CX51EF-188
5/16-18	5/8	5/16-24	5/8	1/2	1	316	ZTA51CX51F-316
5/16-18	5/8	5/8-11	7/8	3/4	1-1/2	18-8	ZTA51CX58C-188
5/16-18	5/8	5/8-11	7/8	3/4	1-1/2	316	ZTA51CX58C-316
5/16-18	5/8	5/8-11	7/8	3/4	1-1/2	Alum	ZTA51CX58C-AL
5/16-18	5/8	M10 x 1.5	9/16	5/8	1	316	ZTA51CXM10C-316
5/16-18	5/8	M10 x 1.5	9/16	5/8	1	Alum	ZTA51CXM10C-AL
5/16-18	5/8	M10 x 1	9/16	5/8	1	18-8	ZTA51CXM10EF-188
5/16-18	5/8	M10 x 1	9/16	5/8	1	316	ZTA51CXM10EF-316
5/16-18	5/8	M10 x 1.25	9/16	5/8	1	18-8	ZTA51CXM10F-188
5/16-18	5/8	M10 x 1.25	9/16	5/8	1	316	ZTA51CXM10F-316
5/16-18	5/8	M10 x 1.25	9/16	5/8	1	Alum	ZTA51CXM10F-AL
5/16-18	5/8	M12 x 1.75	11/16	3/4	1-1/2	18-8	ZTA51CXM12C-188
5/16-18	5/8	M12 x 1.75	11/16	3/4	1-1/2	316	ZTA51CXM12C-316
5/16-18	5/8	M12 x 1.75	11/16	3/4	1-1/2	Alum	ZTA51CXM12C-AL
5/16-18	5/8	M12 x 1.25	11/16	3/4	1-1/2	18-8	ZTA51CXM12EF-188
5/16-18	5/8	M12 x 1.25	11/16	3/4	1-1/2	316	ZTA51CXM12EF-316
5/16-18	5/8	M12 x 1.25	11/16	3/4	1-1/2	Alum	ZTA51CXM12EF-AL
5/16-18	5/8	M12 x 1.5	11/16	3/4	1-1/2	18-8	ZTA51CXM12F-188
5/16-18	5/8	M12 x 1.5	11/16	3/4	1-1/2	316	ZTA51CXM12F-316
5/16-18	5/8	M5 x 0.8	9/32	1/2	3/4	316	ZTA51CXM5C-316
5/16-18	5/8	M6 x 1	3/8	1/2	1	316	ZTA51CXM6C-316
5/16-18	5/8	M6 x .750	3/8	1/2	1	18-8	ZTA51CXM6F-188
5/16-18	5/8	M8 x 1.25	3/8	5/8	3/4	316	ZTA51CXM8C-316
5/16-18	5/8	M8 x 1	3/8	5/8	3/4	18-8	ZTA51CXM8F-188
5/16-18	5/8	M8 x 1	3/8	5/8	3/4	316	ZTA51CXM8F-316
5/16-18	5/8	M8 x 1	3/8	5/8	3/4	Alum	ZTA51CXM8F-AL
5/16-24	5/8	10-24	7/16	1/2	3/4	18-8	ZTA51FX10C-188
5/16-24	5/8	10-32	9/32	1/2	3/4	18-8	ZTA51FX10F-188
5/16-24	5/8	10-32	9/32	1/2	3/4	316	ZTA51FX10F-316
5/16-24	5/8	1/2-13	11/16	3/4	1-1/2	18-8	ZTA51FX12C-188
5/16-24	5/8	1/2-13	11/16	3/4	1-1/2	316	ZTA51FX12C-316
5/16-24	5/8	1/2-13	11/16	3/4	1-1/2	Alum	ZTA51FX12C-AL
5/16-24	5/8	1/2-13	3/4	3/4	1-1/2	Stl Blk	ZTA51FX12CSTL-B
5/16-24	5/8	1/2-28	11/16	3/4	1-1/2	18-8	ZTA51FX12EF-188
5/16-24	5/8	1/2-20	11/16	3/4	1-1/2	18-8	ZTA51FX12F-188
5/16-24	5/8	1/2-20	11/16	3/4	1-1/2	316	ZTA51FX12F-316
5/16-24	5/8	1/4-20	3/8	1/2	1	18-8	ZTA51FX14C-188

## Male-Female Hex Thread Adapters



Male Thread A Side	Male Thd Lth A Side	Female Thread B Side	Female Thd Lth B Side	Hex A/F	Hex Length	Material	Part Number
5/16-24	5/8	1/4-20	3/8	1/2	1	316	ZTA51FX14C-316
5/16-24	5/8	1/4-20	3/8	1/2	1	Alum	ZTA51FX14C-AL
5/16-24	5/8	1/4-32	3/8	1/2	1	18-8	ZTA51FX14EF-188
5/16-24	5/8	1/4-28	3/8	1/2	1	18-8	ZTA51FX14F-188
5/16-24	5/8	3/8-16	9/16	1/2	1	18-8	ZTA51FX38C-188
5/16-24	5/8	3/8-16	9/16	1/2	1	316	ZTA51FX38C-316
5/16-24	5/8	3/8-32	9/16	1/2	1	18-8	ZTA51FX38EF-188
5/16-24	5/8	3/8-24	9/16	1/2	1	18-8	ZTA51FX38F-188
5/16-24	5/8	5/16-18	5/8	1/2	1	316	ZTA51FX51C-316
5/16-24	5/8	5/16-32	5/8	1/2	1	18-8	ZTA51FX51EF-188
5/16-24	5/8	M10 x 1.5	9/16	5/8	1	18-8	ZTA51FXM10C-188
5/16-24	5/8	M10 x 1.5	9/16	5/8	1	316	ZTA51FXM10C-316
5/16-24	5/8	M10 x 1.5	9/16	5/8	1	Alum	ZTA51FXM10C-AL
5/16-24	5/8	M10 x 1	9/16	5/8	1	18-8	ZTA51FXM10EF-188
5/16-24	5/8	M10 x 1.25	9/16	5/8	1	18-8	ZTA51FXM10F-188
5/16-24	5/8	M10 x 1.25	9/16	5/8	1	316	ZTA51FXM10F-316
5/16-24	5/8	M12 x 1.75	11/16	3/4	1-1/2	18-8	ZTA51FXM12C-188
5/16-24	5/8	M12 x 1.75	11/16	3/4	1-1/2	316	ZTA51FXM12C-316
5/16-24	5/8	M12 x 1.25	11/16	3/4	1-1/2	18-8	ZTA51FXM12EF-188
5/16-24	5/8	M12 x 1.25	11/16	3/4	1-1/2	316	ZTA51FXM12EF-316
5/16-24	5/8	M12 x 1.5	11/16	3/4	1-1/2	18-8	ZTA51FXM12F-188
5/16-24	5/8	M12 x 1.5	11/16	3/4	1-1/2	316	ZTA51FXM12F-316
5/16-24	5/8	M5 x 0.8	9/32	1/2	3/4	18-8	ZTA51FXM5C-188
5/16-24	5/8	M5 x 0.8	9/32	1/2	3/4	316	ZTA51FXM5C-316
5/16-24	5/8	M6 x 1	3/8	1/2	1	18-8	ZTA51FXM6C-188
5/16-24	5/8	M6 x 1	3/8	1/2	1	316	ZTA51FXM6C-316
5/16-24	5/8	M6 x .750	3/8	1/2	1	18-8	ZTA51FXM6F-188
5/16-24	5/8	M8 x 1.25	3/8	5/8	3/4	18-8	ZTA51FXM8C-188
5/16-24	5/8	M8 x 1.25	3/8	5/8	3/4	316	ZTA51FXM8C-316
5/16-24	5/8	M8 x 1.25	3/8	5/8	3/4	Alum	ZTA51FXM8C-AL
5/16-24	5/8	M8 x 1	3/8	5/8	3/4	18-8	ZTA51FXM8F-188
5/16-32	5/8	10-24	7/16	1/2	3/4	18-8	ZTA51EFX10C-188
5/16-32	5/8	10-32	9/32	1/2	3/4	18-8	ZTA51EFX10F-188
5/16-32	5/8	10-32	9/32	1/2	3/4	316	ZTA51EFX10F-316
5/16-32	5/8	1/2-13	11/16	3/4	1-1/2	18-8	ZTA51EFX12C-188
5/16-32	5/8	1/2-13	11/16	3/4	1-1/2	316	ZTA51EFX12C-316
5/16-32	5/8	1/2-13	11/16	3/4	1-1/2	Alum	ZTA51EFX12C-AL
5/16-32	5/8	1/2-28	11/16	3/4	1-1/2	18-8	ZTA51EFX12EF-188
5/16-32	5/8	1/2-20	11/16	3/4	1-1/2	18-8	ZTA51EFX12F-188
5/16-32	5/8	1/2-20	11/16	3/4	1-1/2	316	ZTA51EFX12F-316
5/16-32	5/8	1/4-20	3/8	1/2	1	18-8	ZTA51EFX14C-188

# Threaded Adapters

18-8 SS, 316 SS,  
Alum, Steel

## Male-Female Hex Thread Adapters



Male Thread A Side	Male Thd Lth A Side	Female Thread B Side	Female Thd Lth B Side	Hex A/F	Hex Length	Material	Part Number
5/16-32	5/8	3/8-32	9/16	1/2	1	18-8	ZTA51EFX38EF-188
5/16-32	5/8	3/8-24	9/16	1/2	1	18-8	ZTA51EFX38F-188
5/16-32	5/8	5/16-18	5/8	1/2	1	18-8	ZTA51EFX51C-188
5/16-32	5/8	5/16-18	5/8	1/2	1	316	ZTA51EFX51C-316
5/16-32	5/8	5/16-24	5/8	1/2	1	18-8	ZTA51EFX51F-188
5/16-32	5/8	1/4-20	3/8	1/2	1	316	ZTA51EFX14C-316
5/16-32	5/8	1/4-28	3/8	1/2	1	18-8	ZTA51EFX14F-188
5/16-32	5/8	3/8-16	9/16	1/2	1	18-8	ZTA51EFX38C-188
5/16-32	5/8	3/8-16	9/16	1/2	1	316	ZTA51EFX38C-316
5/16-32	5/8	M5 x 0.8	9/32	1/2	3/4	18-8	ZTA51EFXM5C-188
5/16-32	5/8	M5 x 0.8	9/32	1/2	3/4	316	ZTA51EFXM5C-316
5/16-32	5/8	M5 x 0.5	9/32	1/2	3/4	18-8	ZTA51EFXM5F-188
5/16-32	5/8	M6 x 1	3/8	1/2	1	18-8	ZTA51EFXM6C-188
5/16-32	5/8	M6 x 1	3/8	1/2	1	316	ZTA51EFXM6C-316
5/16-32	5/8	M6 x .750	3/8	1/2	1	18-8	ZTA51EFXM6F-188
5/16-32	5/8	M8 x 1.25	3/8	5/8	3/4	18-8	ZTA51EFXM8C-188
5/16-32	5/8	M8 x 1.25	3/8	5/8	3/4	316	ZTA51EFXM8C-316
5/16-32	5/8	M8 x 1.25	3/8	5/8	3/4	Alum	ZTA51EFXM8C-AL
5/16-32	5/8	M8 x 1	3/8	5/8	3/4	18-8	ZTA51EFXM8F-188
5/16-32	5/8	M10 x 1.5	9/16	5/8	1	18-8	ZTA51EFXM10C-188
5/16-32	5/8	M10 x 1	9/16	5/8	1	18-8	ZTA51EFXM10EF-188
5/16-32	5/8	M10 x 1.25	9/16	5/8	1	18-8	ZTA51EFXM10F-188
5/16-32	5/8	M12 x 1.75	11/16	3/4	1-1/2	18-8	ZTA51EFXM12C-188
5/16-32	5/8	M12 x 1.75	11/16	3/4	1-1/2	316	ZTA51EFXM12C-316
5/16-32	5/8	M12 x 1.25	11/16	3/4	1-1/2	18-8	ZTA51EFXM12EF-188
5/16-32	5/8	M12 x 1.25	11/16	3/4	1-1/2	316	ZTA51EFXM12EF-316
5/16-32	5/8	M12 x 1.5	11/16	3/4	1-1/2	18-8	ZTA51EFXM12F-188
3/8-16	1/2	3/8-32	5/8	1/2	1	18-8	ZTA38CX38EF-188
3/8-16	1/2	3/8-32	5/8	1/2	1	316	ZTA38CX38EF-316
3/8-16	1/2	3/8-24	5/8	1/2	1	316	ZTA38CX38F-316
3/8-16	1/2	3/8-24	5/8	1/2	1	Alum	ZTA38CX38F-AL
3/8-16	1/2	M10 x 1.5	9/16	5/8	1	316	ZTA38CXM10C-316
3/8-16	1/2	M10 x 1.5	9/16	5/8	1	Alum	ZTA38CXM10C-AL
3/8-16	1/2	M10 x 1	9/16	5/8	1	18-8	ZTA38CXM10EF-188
3/8-16	1/2	M10 x 1	9/16	5/8	1	316	ZTA38CXM10EF-316
3/8-16	1/2	M10 x 1	9/16	5/8	1	Alum	ZTA38CXM10EF-AL
3/8-16	1/2	M10 x 1.25	9/16	5/8	1	18-8	ZTA38CXM10F-188
3/8-16	1/2	M10 x 1.25	9/16	5/8	1	316	ZTA38CXM10F-316
3/8-16	1/2	M10 x 1.25	9/16	5/8	1	Alum	ZTA38CXM10F-AL
3/8-16	1/2	M12 x 1.75	7/8	5/8	1-1/2	316	ZTA38CXM12C-316

## Male-Female Hex Thread Adapters



Male Thread A Side	Male Thd Lth A Side	Female Thread B Side	Female Thd Lth B Side	Hex A/F	Hex Length	Material	Part Number
3/8-16	1/2	M12 x 1.75	7/8	5/8	1-1/2	Alum	ZTA38CXM12C-AL
3/8-16	1/2	M12 x 1.25	7/8	5/8	1-1/2	18-8	ZTA38CXM12EF-188
3/8-16	1/2	M12 x 1.25	7/8	5/8	1-1/2	316	ZTA38CXM12EF-316
3/8-16	1/2	M12 x 1.25	7/8	5/8	1-1/2	Alum	ZTA38CXM12EF-AL
3/8-16	1/2	M12 x 1.5	7/8	5/8	1-1/2	18-8	ZTA38CXM12F-188
3/8-16	1/2	M12 x 1.5	7/8	5/8	1-1/2	316	ZTA38CXM12F-316
3/8-16	1/2	M12 x 1.5	7/8	5/8	1-1/2	Alum	ZTA38CXM12F-AL
3/8-16	3/4	1/2-13	3/4	3/4	1-1/2	316	ZTA38CX12C-316
3/8-16	3/4	1/2-13	3/4	3/4	1-1/2	Alum	ZTA38CX12C-AL
3/8-16	3/4	1/2-28	3/4	3/4	1-1/2	18-8	ZTA38CX12EF-188
3/8-16	3/4	1/2-28	3/4	3/4	1-1/2	316	ZTA38CX12EF-316
3/8-16	3/4	1/2-20	3/4	3/4	1-1/2	18-8	ZTA38CX12F-188
3/8-16	3/4	1/2-20	3/4	3/4	1-1/2	316	ZTA38CX12F-316
3/8-16	3/4	1/2-20	3/4	3/4	1-1/2	Alum	ZTA38CX12F-AL
3/8-16	3/4	1/4-20	3/8	5/8	1	316	ZTA38CX14C-316
3/8-16	3/4	1/4-20	3/8	5/8	1	Alum	ZTA38CX14C-AL
3/8-16	3/4	1/4-32	3/8	5/8	1	18-8	ZTA38CX14EF-188
3/8-16	3/4	1/4-28	3/8	5/8	1	18-8	ZTA38CX14F-188
3/8-16	3/4	1/4-28	3/8	5/8	1	316	ZTA38CX14F-316
3/8-16	3/4	1/4-28	3/8	5/8	1	Alum	ZTA38CX14F-AL
3/8-16	3/4	3/4-10	1	1-1/4	2-1/4	18-8	ZTA38CX34C-188
3/8-16	3/4	3/4-10	1	1-1/4	2-1/4	316	ZTA38CX34C-316
3/8-16	3/4	3/4-10	1	1-1/4	2-1/4	Alum	ZTA38CX34C-AL
3/8-16	3/4	3/4-10	1	1-1/4	2-1/4	Stl Blk	ZTA38CX34CSTL-B
3/8-16	3/4	5/16-18	15/32	5/8	1	316	ZTA38CX51C-316
3/8-16	3/4	5/16-18	15/32	5/8	1	Alum	ZTA38CX51C-AL
3/8-16	3/4	5/16-32	15/32	5/8	1	18-8	ZTA38CX51EF-188
3/8-16	3/4	5/16-24	15/32	5/8	1	18-8	ZTA38CX51F-188
3/8-16	3/4	5/16-24	15/32	5/8	1	316	ZTA38CX51F-316
3/8-16	3/4	5/16-24	15/32	5/8	1	Alum	ZTA38CX51F-AL
3/8-16	3/4	5/8-11	7/8	1	2	18-8	ZTA38CX58C-188
3/8-16	3/4	5/8-11	7/8	1	2	316	ZTA38CX58C-316
3/8-16	3/4	5/8-11	7/8	1	2	Alum	ZTA38CX58C-AL
3/8-16	3/4	5/8-11	7/8	1	2	Stl Blk	ZTA38CX58CSTL-B
3/8-16	3/4	M6 x 1	3/8	5/8	1	18-8	ZTA38CXM6C-188
3/8-16	3/4	M6 x 1	3/8	5/8	1	316	ZTA38CXM6C-316
3/8-16	3/4	M6 x 1	3/8	5/8	1	Alum	ZTA38CXM6C-AL
3/8-16	3/4	M6 x .750	3/8	5/8	1	18-8	ZTA38CXM6F-188
3/8-16	3/4	M8 x 1.25	15/32	5/8	1	18-8	ZTA38CXM8C-188
3/8-16	3/4	M8 x 1.25	15/32	5/8	1	316	ZTA38CXM8C-316
3/8-16	3/4	M8 x 1.25	15/32	5/8	1	Alum	ZTA38CXM8C-AL

# Threaded Adapters

18-8 SS, 316 SS,  
Alum, Steel

## Male-Female Hex Thread Adapters



Male Thread A Side	Male Thd Lth A Side	Female Thread B Side	Female Thd Lth B Side	Hex A/F	Hex Length	Material	Part Number
3/8-16	3/4	M8 x 1	15/32	5/8	1	18-8	ZTA38CXM8F-188
3/8-16	3/4	M8 x 1	15/32	5/8	1	316	ZTA38CXM8F-316
3/8-16	3/4	M8 x 1	15/32	5/8	1	Alum	ZTA38CXM8F-AL
3/8-24	1/2	3/8-16	7/8	5/8	1-1/2	316	ZTA38FX38C-316
3/8-24	1/2	3/8-16	7/8	5/8	1-1/2	Alum	ZTA38FX38C-AL
3/8-24	1/2	3/8-32	7/8	5/8	1-1/2	18-8	ZTA38FX38EF-188
3/8-24	1/2	M10 x 1.5	9/16	5/8	1	18-8	ZTA38FXM10C-188
3/8-24	1/2	M10 x 1.5	9/16	5/8	1	316	ZTA38FXM10C-316
3/8-24	1/2	M10 x 1.5	9/16	5/8	1	Alum	ZTA38FXM10C-AL
3/8-24	1/2	M10 x 1	9/16	5/8	1	18-8	ZTA38FXM10EF-188
3/8-24	1/2	M10 x 1.25	9/16	5/8	1	18-8	ZTA38FXM10F-188
3/8-24	1/2	M10 x 1.25	9/16	5/8	1	316	ZTA38FXM10F-316
3/8-24	1/2	M12 x 1.75	7/8	5/8	1-1/2	18-8	ZTA38FXM12C-188
3/8-24	1/2	M12 x 1.75	7/8	5/8	1-1/2	316	ZTA38FXM12C-316
3/8-24	1/2	M12 x 1.25	7/8	5/8	1-1/2	18-8	ZTA38FXM12EF-188
3/8-24	1/2	M12 x 1.25	7/8	5/8	1-1/2	316	ZTA38FXM12EF-316
3/8-24	1/2	M12 x 1.5	7/8	5/8	1-1/2	18-8	ZTA38FXM12F-188
3/8-24	1/2	M12 x 1.5	7/8	5/8	1-1/2	316	ZTA38FXM12F-316
3/8-24	3/4	1/2-13	3/4	3/4	1-1/2	18-8	ZTA38FX12C-188
3/8-24	3/4	1/2-13	3/4	3/4	1-1/2	316	ZTA38FX12C-316
3/8-24	3/4	1/2-13	3/4	3/4	1-1/2	Alum	ZTA38FX12C-AL
3/8-24	3/4	1/2-13	3/4	3/4	1-1/2	Stl Blk	ZTA38FX12CSTL-B
3/8-24	3/4	1/2-28	3/4	3/4	1-1/2	18-8	ZTA38FX12EF-188
3/8-24	3/4	1/2-20	3/4	3/4	1-1/2	18-8	ZTA38FX12F-188
3/8-24	3/4	1/2-20	3/4	3/4	1-1/2	316	ZTA38FX12F-316
3/8-24	3/4	1/4-20	3/8	5/8	1	18-8	ZTA38FX14C-188
3/8-24	3/4	1/4-20	3/8	5/8	1	316	ZTA38FX14C-316
3/8-24	3/4	1/4-20	3/8	5/8	1	Alum	ZTA38FX14C-AL
3/8-24	3/4	1/4-32	3/8	5/8	1	18-8	ZTA38FX14EF-188
3/8-24	3/4	1/4-28	3/8	5/8	1	18-8	ZTA38FX14F-188
3/8-24	3/4	3/8-16	9/16	5/8	1-1/2	Stl Blk	ZTA38FX38CSTL-B
3/8-24	3/4	5/16-18	15/32	5/8	1	18-8	ZTA38FX51C-188
3/8-24	3/4	5/16-18	15/32	5/8	1	316	ZTA38FX51C-316
3/8-24	3/4	5/16-18	15/32	5/8	1	Alum	ZTA38FX51C-AL
3/8-24	3/4	5/16-32	15/32	5/8	1	18-8	ZTA38FX51EF-188
3/8-24	3/4	5/16-24	15/32	5/8	1	18-8	ZTA38FX51F-188
3/8-24	3/4	M6 x 1	3/8	5/8	1	18-8	ZTA38FXM6C-188
3/8-24	3/4	M6 x 1	3/8	5/8	1	316	ZTA38FXM6C-316
3/8-24	3/4	M6 x 1	3/8	5/8	1	Alum	ZTA38FXM6C-AL
3/8-24	3/4	M6 x .750	3/8	5/8	1	18-8	ZTA38FXM6F-188
3/8-24	3/4	M8 x 1.25	15/32	5/8	1	18-8	ZTA38FXM8C-188

## Male-Female Hex Thread Adapters



Male Thread A Side	Male Thd Lth A Side	Female Thread B Side	Female Thd Lth B Side	Hex A/F	Hex Length	Material	Part Number
3/8-24	3/4	M8 x 1.25	15/32	5/8	1	316	ZTA38FXM8C-316
3/8-24	3/4	M8 x 1.25	15/32	5/8	1	Alum	ZTA38FXM8C-AL
3/8-24	3/4	M8 x 1	15/32	5/8	1	18-8	ZTA38FXM8F-188
3/8-24	3/4	M8 x 1	15/32	5/8	1	316	ZTA38FXM8F-316
3/8-32	1/2	3/8-16	5/8	1/2	1	18-8	ZTA38EFX38C-188
3/8-32	1/2	3/8-16	5/8	1/2	1	316	ZTA38EFX38C-316
3/8-32	1/2	3/8-24	5/8	1/2	1	18-8	ZTA38EFX38F-188
3/8-32	1/2	M10 x 1.5	9/16	5/8	1	18-8	ZTA38EFXM10C-188
3/8-32	1/2	M10 x 1.5	9/16	5/8	1	316	ZTA38EFXM10C-316
3/8-32	1/2	M10 x 1	9/16	5/8	1	18-8	ZTA38EFXM10EF-188
3/8-32	1/2	M10 x 1.25	9/16	5/8	1	18-8	ZTA38EFXM10F-188
3/8-32	1/2	M12 x 1.75	7/8	5/8	1-1/2	18-8	ZTA38EFXM12C-188
3/8-32	1/2	M12 x 1.75	7/8	5/8	1-1/2	316	ZTA38EFXM12C-316
3/8-32	1/2	M12 x 1.25	7/8	5/8	1-1/2	18-8	ZTA38EFXM12EF-188
3/8-32	1/2	M12 x 1.25	7/8	5/8	1-1/2	316	ZTA38EFXM12EF-316
3/8-32	1/2	M12 x 1.5	7/8	5/8	1-1/2	18-8	ZTA38EFXM12F-188
3/8-32	1/2	M12 x 1.5	7/8	5/8	1-1/2	316	ZTA38EFXM12F-316
3/8-32	3/4	1/2-13	3/4	3/4	1-1/2	18-8	ZTA38EFX12C-188
3/8-32	3/4	1/2-13	3/4	3/4	1-1/2	316	ZTA38EFX12C-316
3/8-32	3/4	1/2-13	3/4	3/4	1-1/2	Alum	ZTA38EFX12C-AL
3/8-32	3/4	1/2-20	3/4	3/4	1-1/2	18-8	ZTA38EFX12F-188
3/8-32	3/4	1/2-20	3/4	3/4	1-1/2	316	ZTA38EFX12F-316
3/8-32	3/4	1/4-20	3/8	5/8	1	18-8	ZTA38EFX14C-188
3/8-32	3/4	1/4-20	3/8	5/8	1	316	ZTA38EFX14C-316
3/8-32	3/4	1/4-20	3/8	5/8	1	Alum	ZTA38EFX14C-AL
3/8-32	3/4	1/4-32	3/8	5/8	1	18-8	ZTA38EFX14EF-188
3/8-32	3/4	1/4-28	3/8	5/8	1	18-8	ZTA38EFX14F-188
3/8-32	3/4	5/16-18	15/32	5/8	1	18-8	ZTA38EFX51C-188
3/8-32	3/4	5/16-18	15/32	5/8	1	316	ZTA38EFX51C-316
3/8-32	3/4	5/16-18	15/32	5/8	1	Alum	ZTA38EFX51C-AL
3/8-32	3/4	5/16-32	15/32	5/8	1	18-8	ZTA38EFX51EF-188
3/8-32	3/4	5/16-24	15/32	5/8	1	18-8	ZTA38EFX51F-188
3/8-32	3/4	M6 x 1	3/8	5/8	1	18-8	ZTA38EFXM6C-188
3/8-32	3/4	M6 x 1	3/8	5/8	1	316	ZTA38EFXM6C-316
3/8-32	3/4	M6 x 1	3/8	5/8	1	Alum	ZTA38EFXM6C-AL
3/8-32	3/4	M6 x .750	3/8	5/8	1	18-8	ZTA38EFXM6F-188
3/8-32	3/4	M8 x 1.25	15/32	5/8	1	18-8	ZTA38EFXM8C-188
3/8-32	3/4	M8 x 1.25	15/32	5/8	1	316	ZTA38EFXM8C-316
3/8-32	3/4	M8 x 1.25	15/32	5/8	1	Alum	ZTA38EFXM8C-AL
3/8-32	3/4	M8 x 1	15/32	5/8	1	18-8	ZTA38EFXM8F-188
1/2-13	3/4	1/2-28	7/8	3/4	1-1/2	18-8	ZTA12CX12EF-188

# Threaded Adapters

18-8 SS, 316 SS,  
Alum, Steel

## Male-Female Hex Thread Adapters



Male Thread A Side	Male Thd Lth A Side	Female Thread B Side	Female Thd Lth B Side	Hex A/F	Hex Length	Material	Part Number
1/2-13	3/4	1/2-28	7/8	3/4	1-1/2	316	ZTA12CX12EF-316
1/2-13	3/4	1/2-20	7/8	3/4	1-1/2	316	ZTA12CX12F-316
1/2-13	3/4	1/2-20	7/8	3/4	1-1/2	Alum	ZTA12CX12F-AL
1/2-13	3/4	3/4-10	1	1-1/4	2-1/4	18-8	ZTA12CX34C-188
1/2-13	3/4	3/4-10	1	1-1/4	2-1/4	316	ZTA12CX34C-316
1/2-13	3/4	3/4-10	1	1-1/4	2-1/4	Alum	ZTA12CX34C-AL
1/2-13	3/4	5/8-11	7/8	1	2	18-8	ZTA12CX58C-188
1/2-13	3/4	5/8-11	7/8	1	2	316	ZTA12CX58C-316
1/2-13	3/4	5/8-11	7/8	1	2	Alum	ZTA12CX58C-AL
1/2-13	3/4	M12 x 1.75	7/8	3/4	1-1/2	316	ZTA12CXM12C-316
1/2-13	3/4	M12 x 1.75	7/8	3/4	1-1/2	Alum	ZTA12CXM12C-AL
1/2-13	3/4	M12 x 1.25	7/8	3/4	1-1/2	18-8	ZTA12CXM12EF-188
1/2-13	3/4	M12 x 1.25	7/8	3/4	1-1/2	316	ZTA12CXM12EF-316
1/2-13	3/4	M12 x 1.25	7/8	3/4	1-1/2	Alum	ZTA12CXM12EF-AL
1/2-13	3/4	M12 x 1.5	7/8	3/4	1-1/2	18-8	ZTA12CXM12F-188
1/2-13	3/4	M12 x 1.5	7/8	3/4	1-1/2	316	ZTA12CXM12F-316
1/2-13	7/8	1/4-20	3/8	3/4	1-1/2	316	ZTA12CX14C-316
1/2-13	7/8	1/4-20	3/8	3/4	1-1/2	Alum	ZTA12CX14C-AL
1/2-13	7/8	1/4-32	3/8	3/4	1-1/2	18-8	ZTA12CX14EF-188
1/2-13	7/8	1/4-28	3/8	3/4	1-1/2	18-8	ZTA12CX14F-188
1/2-13	7/8	1/4-28	3/8	3/4	1-1/2	316	ZTA12CX14F-316
1/2-13	7/8	3/8-16	9/16	3/4	1-1/2	316	ZTA12CX38C-316
1/2-13	7/8	3/8-16	9/16	3/4	1-1/2	Alum	ZTA12CX38C-AL
1/2-13	7/8	3/8-32	9/16	3/4	1-1/2	18-8	ZTA12CX38EF-188
1/2-13	7/8	3/8-32	9/16	3/4	1-1/2	316	ZTA12CX38EF-316
1/2-13	7/8	3/8-24	9/16	3/4	1-1/2	18-8	ZTA12CX38F-188
1/2-13	7/8	3/8-24	9/16	3/4	1-1/2	316	ZTA12CX38F-316
1/2-13	7/8	3/8-24	9/16	3/4	1-1/2	Alum	ZTA12CX38F-AL
1/2-13	7/8	5/16-18	15/32	3/4	1-1/2	18-8	ZTA12CX51C-188
1/2-13	7/8	5/16-18	15/32	3/4	1-1/2	316	ZTA12CX51C-316
1/2-13	7/8	5/16-18	15/32	3/4	1-1/2	Alum	ZTA12CX51C-AL
1/2-13	7/8	5/16-18	15/32	3/4	1-1/2	Stl Blk	ZTA12CX51CSTL-B
1/2-13	7/8	5/16-32	15/32	3/4	1-1/2	18-8	ZTA12CX51EF-188
1/2-13	7/8	5/16-32	15/32	3/4	1-1/2	316	ZTA12CX51EF-316
1/2-13	7/8	5/16-24	15/32	3/4	1-1/2	18-8	ZTA12CX51F-188
1/2-13	7/8	5/16-24	15/32	3/4	1-1/2	316	ZTA12CX51F-316
1/2-13	7/8	M10 x 1.5	9/16	3/4	1-1/2	18-8	ZTA12CXM10C-188
1/2-13	7/8	M10 x 1.5	9/16	3/4	1-1/2	316	ZTA12CXM10C-316
1/2-13	7/8	M10 x 1.5	9/16	3/4	1-1/2	Alum	ZTA12CXM10C-AL
1/2-13	7/8	M10 x 1	9/16	3/4	1-1/2	18-8	ZTA12CXM10EF-188

## Male-Female Hex Thread Adapters



Male Thread A Side	Male Thd Lth A Side	Female Thread B Side	Female Thd Lth B Side	Hex A/F	Hex Length	Material	Part Number
1/2-13	7/8	M10 x 1	9/16	3/4	1-1/2	316	ZTA12CXM10EF-316
1/2-13	7/8	M10 x 1.25	9/16	3/4	1-1/2	18-8	ZTA12CXM10F-188
1/2-13	7/8	M10 x 1.25	9/16	3/4	1-1/2	316	ZTA12CXM10F-316
1/2-13	7/8	M10 x 1.25	9/16	3/4	1-1/2	Alum	ZTA12CXM10F-AL
1/2-13	7/8	M6 x 1	3/8	3/4	1-1/2	18-8	ZTA12CXM6C-188
1/2-13	7/8	M6 x 1	3/8	3/4	1-1/2	316	ZTA12CXM6C-316
1/2-13	7/8	M6 x 1	3/8	3/4	1-1/2	Alum	ZTA12CXM6C-AL
1/2-13	7/8	M6 x .750	3/8	3/4	1-1/2	18-8	ZTA12CXM6F-188
1/2-13	7/8	M6 x .750	3/8	3/4	1-1/2	316	ZTA12CXM6F-316
1/2-13	7/8	M8 x 1.25	15/32	3/4	1-1/2	18-8	ZTA12CXM8C-188
1/2-13	7/8	M8 x 1.25	15/32	3/4	1-1/2	316	ZTA12CXM8C-316
1/2-13	7/8	M8 x 1.25	15/32	3/4	1-1/2	Alum	ZTA12CXM8C-AL
1/2-13	7/8	M8 x 1	15/32	3/4	1-1/2	18-8	ZTA12CXM8F-188
1/2-13	7/8	M8 x 1	15/32	3/4	1-1/2	316	ZTA12CXM8F-316
1/2-13	7/8	M8 x 1	15/32	3/4	1-1/2	Alum	ZTA12CXM8F-AL
1/2-20	3/4	1/2-13	7/8	3/4	1-1/2	316	ZTA12FX12C-316
1/2-20	3/4	1/2-13	7/8	3/4	1-1/2	Alum	ZTA12FX12C-AL
1/2-20	3/4	1/2-28	7/8	3/4	1-1/2	18-8	ZTA12FX12EF-188
1/2-20	3/4	1/2-28	7/8	3/4	1-1/2	316	ZTA12FX12EF-316
1/2-20	3/4	M12 x 1.75	7/8	3/4	1-1/2	18-8	ZTA12FXM12C-188
1/2-20	3/4	M12 x 1.75	7/8	3/4	1-1/2	316	ZTA12FXM12C-316
1/2-20	3/4	M12 x 1.25	7/8	3/4	1-1/2	18-8	ZTA12FXM12EF-188
1/2-20	3/4	M12 x 1.25	7/8	3/4	1-1/2	316	ZTA12FXM12EF-316
1/2-20	3/4	M12 x 1.5	7/8	3/4	1-1/2	18-8	ZTA12FXM12F-188
1/2-20	3/4	M12 x 1.5	7/8	3/4	1-1/2	316	ZTA12FXM12F-316
1/2-20	7/8	1/2-13	3/4	3/4	1-1/2	Stl Blk	ZTA12FX12CSTL-B
1/2-20	7/8	1/4-20	3/8	3/4	1-1/2	18-8	ZTA12FX14C-188
1/2-20	7/8	1/4-20	3/8	3/4	1-1/2	316	ZTA12FX14C-316
1/2-20	7/8	1/4-20	3/8	3/4	1-1/2	Alum	ZTA12FX14C-AL
1/2-20	7/8	1/4-20	3/8	3/4	1-1/2	Stl Blk	ZTA12FX14CSTL-B
1/2-20	7/8	1/4-32	3/8	3/4	1-1/2	18-8	ZTA12FX14EF-188
1/2-20	7/8	1/4-28	3/8	3/4	1-1/2	18-8	ZTA12FX14F-188
1/2-20	7/8	1/4-28	3/8	3/4	1-1/2	316	ZTA12FX14F-316
1/2-20	7/8	3/8-16	9/16	3/4	1-1/2	18-8	ZTA12FX38C-188
1/2-20	7/8	3/8-16	9/16	3/4	1-1/2	316	ZTA12FX38C-316
1/2-20	7/8	3/8-16	9/16	3/4	1-1/2	Alum	ZTA12FX38C-AL
1/2-20	7/8	3/8-16	9/16	3/4	1-1/2	Stl Blk	ZTA12FX38CSTL-B
1/2-20	7/8	3/8-32	9/16	3/4	1-1/2	18-8	ZTA12FX38EF-188
1/2-20	7/8	3/8-32	9/16	3/4	1-1/2	316	ZTA12FX38EF-316
1/2-20	7/8	3/8-24	9/16	3/4	1-1/2	18-8	ZTA12FX38F-188

# Threaded Adapters

18-8 SS, 316 SS,  
Alum, Steel

## Male-Female Hex Thread Adapters



Male Thread A Side	Male Thd Lth A Side	Female Thread B Side	Female Thd Lth B Side	Hex A/F	Hex Length	Material	Part Number
1/2-20	7/8	3/8-24	9/16	3/4	1-1/2	316	ZTA12FX38F-316
1/2-20	7/8	5/16-18	15/32	3/4	1-1/2	18-8	ZTA12FX51C-188
1/2-20	7/8	5/16-18	15/32	3/4	1-1/2	316	ZTA12FX51C-316
1/2-20	7/8	5/16-18	15/32	3/4	1-1/2	Alum	ZTA12FX51C-AL
1/2-20	7/8	5/16-32	15/32	3/4	1-1/2	18-8	ZTA12FX51EF-188
1/2-20	7/8	5/16-24	15/32	3/4	1-1/2	18-8	ZTA12FX51F-188
1/2-20	7/8	5/16-24	15/32	3/4	1-1/2	316	ZTA12FX51F-316
1/2-20	7/8	M10 x 1.5	9/16	3/4	1-1/2	18-8	ZTA12FXM10C-188
1/2-20	7/8	M10 x 1.5	9/16	3/4	1-1/2	316	ZTA12FXM10C-316
1/2-20	7/8	M10 x 1.5	9/16	3/4	1-1/2	Alum	ZTA12FXM10C-AL
1/2-20	7/8	M10 x 1	9/16	3/4	1-1/2	18-8	ZTA12FXM10EF-188
1/2-20	7/8	M10 x 1	9/16	3/4	1-1/2	316	ZTA12FXM10EF-316
1/2-20	7/8	M10 x 1.25	9/16	3/4	1-1/2	18-8	ZTA12FXM10F-188
1/2-20	7/8	M10 x 1.25	9/16	3/4	1-1/2	316	ZTA12FXM10F-316
1/2-20	7/8	M6 x 1	3/8	3/4	1-1/2	18-8	ZTA12FXM6C-188
1/2-20	7/8	M6 x 1	3/8	3/4	1-1/2	316	ZTA12FXM6C-316
1/2-20	7/8	M6 x 1	3/8	3/4	1-1/2	Alum	ZTA12FXM6C-AL
1/2-20	7/8	M8 x 1.25	15/32	3/4	1-1/2	18-8	ZTA12FXM8C-188
1/2-20	7/8	M8 x 1.25	15/32	3/4	1-1/2	316	ZTA12FXM8C-316
1/2-20	7/8	M8 x 1.25	15/32	3/4	1-1/2	Alum	ZTA12FXM8C-AL
1/2-20	7/8	M8 x 1	15/32	3/4	1-1/2	18-8	ZTA12FXM8F-188
1/2-20	7/8	M8 x 1	15/32	3/4	1-1/2	316	ZTA12FXM8F-316
1/2-28	3/4	1/2-13	7/8	3/4	1-1/2	18-8	ZTA12EFX12C-188
1/2-28	3/4	1/2-13	7/8	3/4	1-1/2	316	ZTA12EFX12C-316
1/2-28	3/4	1/2-13	7/8	3/4	1-1/2	Alum	ZTA12EFX12C-AL
1/2-28	3/4	1/2-20	7/8	3/4	1-1/2	18-8	ZTA12EFX12F-188
1/2-28	3/4	1/2-20	7/8	3/4	1-1/2	316	ZTA12EFX12F-316
1/2-28	3/4	M12 x 1.75	7/8	3/4	1-1/2	18-8	ZTA12EFXM12C-188
1/2-28	3/4	M12 x 1.75	7/8	3/4	1-1/2	316	ZTA12EFXM12C-316
1/2-28	3/4	M12 x 1.25	7/8	3/4	1-1/2	18-8	ZTA12EFXM12EF-188
1/2-28	3/4	M12 x 1.25	7/8	3/4	1-1/2	316	ZTA12EFXM12EF-316
1/2-28	3/4	M12 x 1.5	7/8	3/4	1-1/2	18-8	ZTA12EFXM12F-188
1/2-28	3/4	M12 x 1.5	7/8	3/4	1-1/2	316	ZTA12EFXM12F-316
1/2-28	7/8	1/4-20	3/8	3/4	1-1/2	18-8	ZTA12EFX14C-188
1/2-28	7/8	1/4-20	3/8	3/4	1-1/2	316	ZTA12EFX14C-316
1/2-28	7/8	1/4-20	3/8	3/4	1-1/2	Alum	ZTA12EFX14C-AL
1/2-28	7/8	1/4-32	3/8	3/4	1-1/2	18-8	ZTA12EFX14EF-188
1/2-28	7/8	1/4-28	3/8	3/4	1-1/2	18-8	ZTA12EFX14F-188
1/2-28	7/8	3/8-16	9/16	3/4	1-1/2	18-8	ZTA12EFX38C-188
1/2-28	7/8	3/8-16	9/16	3/4	1-1/2	316	ZTA12EFX38C-316

## Male-Female Hex Thread Adapters



Male Thread A Side	Male Thd Lth A Side	Female Thread B Side	Female Thd Lth B Side	Hex A/F	Hex Length	Material	Part Number
1/2-28	7/8	3/8-16	9/16	3/4	1-1/2	Alum	ZTA12EFX38C-AL
1/2-28	7/8	3/8-32	9/16	3/4	1-1/2	18-8	ZTA12EFX38EF-188
1/2-28	7/8	3/8-24	9/16	3/4	1-1/2	18-8	ZTA12EFX38F-188
1/2-28	7/8	3/8-24	9/16	3/4	1-1/2	316	ZTA12EFX38F-316
1/2-28	7/8	5/16-18	15/32	3/4	1-1/2	18-8	ZTA12EFX51C-188
1/2-28	7/8	5/16-18	15/32	3/4	1-1/2	316	ZTA12EFX51C-316
1/2-28	7/8	5/16-18	15/32	3/4	1-1/2	Alum	ZTA12EFX51C-AL
1/2-28	7/8	5/16-32	15/32	3/4	1-1/2	18-8	ZTA12EFX51EF-188
1/2-28	7/8	5/16-24	15/32	3/4	1-1/2	18-8	ZTA12EFX51F-188
1/2-28	7/8	5/16-24	15/32	3/4	1-1/2	316	ZTA12EFX51F-316
1/2-28	7/8	M6 x .750	3/8	3/4	1-1/2	18-8	ZTA12EFXM6F-188
1/2-28	7/8	M6 x 1	3/8	3/4	1-1/2	18-8	ZTA12EFXM6C-188
1/2-28	7/8	M6 x 1	3/8	3/4	1-1/2	316	ZTA12EFXM6C-316
1/2-28	7/8	M6 x 1	3/8	3/4	1-1/2	Alum	ZTA12EFXM6C-AL
1/2-28	7/8	M8 x 1	15/32	3/4	1-1/2	18-8	ZTA12EFXM8F-188
1/2-28	7/8	M8 x 1	15/32	3/4	1-1/2	316	ZTA12EFXM8F-316
1/2-28	7/8	M8 x 1.25	15/32	3/4	1-1/2	18-8	ZTA12EFXM8C-188
1/2-28	7/8	M8 x 1.25	15/32	3/4	1-1/2	316	ZTA12EFXM8C-316
1/2-28	7/8	M8 x 1.25	15/32	3/4	1-1/2	Alum	ZTA12EFXM8C-AL
1/2-28	7/8	M10 x 1.5	9/16	3/4	1-1/2	18-8	ZTA12EFXM10C-188
1/2-28	7/8	M10 x 1.5	9/16	3/4	1-1/2	316	ZTA12EFXM10C-316
1/2-28	7/8	M10 x 1	9/16	3/4	1-1/2	18-8	ZTA12EFXM10EF-188
1/2-28	7/8	M10 x 1	9/16	3/4	1-1/2	316	ZTA12EFXM10EF-316
1/2-28	7/8	M10 x 1.25	9/16	3/4	1-1/2	18-8	ZTA12EFXM10F-188
1/2-28	7/8	M10 x 1.25	9/16	3/4	1-1/2	316	ZTA12EFXM10F-316

# Threaded Adapters

18-8 SS, 316 SS,  
Alum, Steel

## Male-Female Hex Thread Adapters

Metric Male Thread Size



Male Thread A Side	Male Thd Lth A Side	Female Thread B Side	Female Thd Lth B Side	Hex A/F	Hex Length	Material	Part Number
M3 x 0.35	7.5mm	M2.5 x 0.45	3.0mm	10mm	12.7mm	18-8	ZTAM3FXM2.5C-188
M3 x 0.35	7.5mm	M3 x 0.5	3.2mm	10mm	12.7mm	18-8	ZTAM3FXM3C-188
M3 x 0.35	7.5mm	M3 x 0.5	3.2mm	10mm	12.7mm	316	ZTAM3FXM3C-316
M3 x 0.35	7.5mm	M4 x 0.7	3.2mm	10mm	12.7mm	18-8	ZTAM3FXM4C-188
M3 x 0.35	7.5mm	M4 x 0.7	3.2mm	10mm	12.7mm	316	ZTAM3FXM4C-316
M3 x 0.5	7.5mm	M2.5 x 0.45	3.0mm	10mm	12.7mm	316	ZTAM3CXM2.5C-316
M3 x 0.5	7.5mm	M3.5 x 0.6	3.2mm	10mm	12.7mm	18-8	ZTAM3CXM3.5C-188
M3 x 0.5	7.5mm	M4 x 0.7	3.2mm	10mm	12.7mm	316	ZTAM3CXM4C-316
M3 x 0.5	7.5mm	M4 x 0.5	3.2mm	10mm	12.7mm	18-8	ZTAM3CXM4F-188
M4 x 0.5	9.5mm	M3 x 0.5	3.2mm	11mm	12.7mm	18-8	ZTAM4FXM3C-188
M4 x 0.5	9.5mm	M3 x 0.5	3.2mm	11mm	12.7mm	316	ZTAM4FXM3C-316
M4 x 0.5	9.5mm	M4 x 0.7	3.2mm	11mm	12.7mm	18-8	ZTAM4FXM4C-188
M4 x 0.5	9.5mm	M4 x 0.7	3.2mm	11mm	12.7mm	316	ZTAM4FXM4C-316
M4 x 0.5	9.5mm	M5 x 0.8	9.5mm	11mm	19.1mm	18-8	ZTAM4FXM5C-188
M4 x 0.5	3/8	6-32	1/4	3/8	1/2	18-8	ZTAM4FX6C-188
M4 x 0.7	9.5mm	M3 x 0.5	3.2mm	11mm	12.7mm	316	ZTAM4CXM3C-316
M4 x 0.7	9.5mm	M5 x 0.8	9.5mm	11mm	19.1mm	316	ZTAM4CXM5C-316
M4 x 0.7	9.5mm	M5 x 0.5	9.5mm	11mm	19.1mm	18-8	ZTAM4CXM5F-188
M4 x 0.7	3/8	6-32	1/4	1/4	1/2	316	ZTAM4CX6C-316
M4 x 0.7	3/8	6-40	1/4	3/8	1/2	18-8	ZTAM4CX6F-188
M5 x 0.5	9.5mm	M4 x 0.7	3.2mm	11mm	12.7mm	18-8	ZTAM5FXM4C-188
M5 x 0.5	9.5mm	M4 x 0.7	3.2mm	11mm	12.7mm	316	ZTAM5FXM4C-316
M5 x 0.5	9.5mm	M5 x 0.8	11.1mm	13mm	19.1mm	18-8	ZTAM5FXM5C-188
M5 x 0.5	9.5mm	M5 x 0.8	11.1mm	13mm	19.1mm	316	ZTAM5FXM5C-316
M5 x 0.5	9.5mm	M6 x 1	11.1mm	13mm	19.1mm	18-8	ZTAM5FXM6C-188
M5 x 0.5	9.5mm	M6 x 1	11.1mm	13mm	19.1mm	316	ZTAM5FXM6C-316
M5 x 0.5	9.5mm	M6 x .750	11.1mm	13mm	19.1mm	18-8	ZTAM5FXM6F-188
M5 x 0.5	3/8	10-24	7/16	3/8	3/4	18-8	ZTAM5FX10C-188
M5 x 0.5	3/8	10-32	1/2	3/8	3/4	18-8	ZTAM5FX10F-188
M5 x 0.5	3/8	10-32	1/2	3/8	3/4	316	ZTAM5FX10F-316
M5 x 0.5	3/8	1/4-20	3/8	1/2	3/4	18-8	ZTAM5FX14C-188
M5 x 0.5	3/8	1/4-20	3/8	1/2	3/4	316	ZTAM5FX14C-316
M5 x 0.5	3/8	5/16-18	3/8	1/2	3/4	18-8	ZTAM5FX51C-188
M5 x 0.5	3/8	5/16-18	3/8	1/2	3/4	316	ZTAM5FX51C-316
M5 x 0.5	3/8	6-32	7/16	3/8	3/4	18-8	ZTAM5FX6C-188
M5 x 0.5	3/8	8-32	7/16	3/8	3/4	18-8	ZTAM5FX8C-188
M5 x 0.8	9.5mm	M4 x 0.7	3.2mm	11mm	12.7mm	316	ZTAM5CXM4C-316
M5 x 0.8	9.5mm	M6 x 1	11.1mm	13mm	19.1mm	316	ZTAM5CXM6C-316

## Male-Female Hex Thread Adapters

Metric Male Thread Size



Male Thread A Side	Male Thd Lth A Side	Female Thread B Side	Female Thd Lth B Side	Hex A/F	Hex Length	Material	Part Number
M5 x 0.8	9.5mm	M6 x .750	11.1mm	13mm	19.1mm	18-8	ZTAM5CXM6F-188
M5 x 0.8	3/8	10-24	7/16	3/8	3/4	316	ZTAM5CX10C-316
M5 x 0.8	3/8	10-32	7/16	3/8	3/4	316	ZTAM5CX10F-316
M5 x 0.8	3/8	1/4-20	3/8	1/2	3/4	316	ZTAM5CX14C-316
M5 x 0.8	3/8	1/4-28	3/8	1/2	3/4	18-8	ZTAM5CX14F-188
M5 x 0.8	3/8	5/16-18	3/8	1/2	3/4	316	ZTAM5CX51C-316
M5 x 0.8	3/8	5/16-24	3/8	1/2	3/4	18-8	ZTAM5CX51F-188
M5 x 0.8	3/8	5/16-24	3/8	1/2	3/4	316	ZTAM5CX51F-316
M5 x 0.8	3/8	6-32	7/16	3/8	3/4	316	ZTAM5CX6C-316
M5 x 0.8	3/8	6-40	7/16	3/8	3/4	18-8	ZTAM5CX6F-188
M5 x 0.8	3/8	8-32	7/16	3/8	3/4	316	ZTAM5CX8C-316
M6 x .750	1/2	10-24	7/16	3/8	3/4	18-8	ZTAM6FX10C-188
M6 x .750	1/2	10-32	1/2	3/8	3/4	18-8	ZTAM6FX10F-188
M6 x .750	1/2	10-32	1/2	3/8	3/4	316	ZTAM6FX10F-316
M6 x .750	1/2	1/2-13	3/4	3/4	1-1/2	18-8	ZTAM6FX12C-188
M6 x .750	1/2	1/2-13	3/4	3/4	1-1/2	316	ZTAM6FX12C-316
M6 x .750	1/2	1/2-13	3/4	3/4	1-1/2	Alum	ZTAM6FX12C-AL
M6 x .750	1/2	1/2-28	3/4	3/4	1-1/2	18-8	ZTAM6FX12EF-188
M6 x .750	1/2	1/2-20	3/4	3/4	1-1/2	18-8	ZTAM6FX12F-188
M6 x .750	1/2	1/2-20	3/4	3/4	1-1/2	316	ZTAM6FX12F-316
M6 x .750	1/2	1/4-20	5/8	1/2	1	18-8	ZTAM6FX14C-188
M6 x .750	1/2	1/4-20	5/8	1/2	1	316	ZTAM6FX14C-316
M6 x .750	1/2	1/4-28	5/8	1/2	1	18-8	ZTAM6FX14F-188
M6 x .750	1/2	3/8-16	9/16	5/8	1	18-8	ZTAM6FX38C-188
M6 x .750	1/2	3/8-16	9/16	5/8	1	316	ZTAM6FX38C-316
M6 x .750	1/2	3/8-32	9/16	5/8	1	18-8	ZTAM6FX38EF-188
M6 x .750	1/2	3/8-24	9/16	5/8	1	18-8	ZTAM6FX38F-188
M6 x .750	1/2	5/16-18	15/32	1/2	1	18-8	ZTAM6FX51C-188
M6 x .750	1/2	5/16-18	15/32	1/2	1	316	ZTAM6FX51C-316
M6 x .750	1/2	5/16-32	15/32	1/2	1	18-8	ZTAM6FX51EF-188
M6 x .750	1/2	5/16-24	15/32	1/2	1	18-8	ZTAM6FX51F-188
M6 x .750	1/2	8-32	7/16	3/8	3/4	18-8	ZTAM6FX8C-188
M6 x .750	12.7mm	M5 x 0.8	9.5mm	13mm	19.1mm	316	ZTAM6FXM5C-316
M6 x .750	12.7mm	M5 x 0.5	9.5mm	13mm	19.1mm	18-8	ZTAM6FXM5F-188
M6 x .750	12.7mm	M6 x 1	9.5mm	14mm	19.1mm	18-8	ZTAM6FXM6C-188
M6 x .750	12.7mm	M6 x 1	9.5mm	14mm	19.1mm	316	ZTAM6FXM6C-316
M6 x .750	12.7mm	M6 x 1	9.5mm	14mm	19.1mm	Alum	ZTAM6FXM6C-AL
M6 x .750	12.7mm	M8 x 1.25	9.5mm	14mm	19.1mm	316	ZTAM6FXM8C-316
M6 x .750	12.7mm	M8 x 1.25	9.5mm	14mm	19.1mm	Alum	ZTAM6FXM8C-AL
M6 x .750	12.7mm	M8 x 1	9.5mm	14mm	19.1mm	18-8	ZTAM6FXM8F-188

# Threaded Adapters

18-8 SS, 316 SS,  
Alum, Steel

## Male-Female Hex Thread Adapters

Metric Male Thread Size



Male Thread A Side	Male Thd Lth A Side	Female Thread B Side	Female Thd Lth B Side	Hex A/F	Hex Length	Material	Part Number
M6 x 1	12.7mm	—	—	12.7mm	4.8mm	316	ZTAM6CXM8C-316
M6 x 1	1/2	10-24	7/16	3/8	3/4	316	ZTAM6CX10C-316
M6 x 1	1/2	10-32	7/16	3/8	3/4	316	ZTAM6CX10F-316
M6 x 1	1/2	1/2-13	3/4	3/4	1-1/2	18-8	ZTAM6CX12C-188
M6 x 1	1/2	1/2-13	3/4	3/4	1-1/2	316	ZTAM6CX12C-316
M6 x 1	1/2	1/2-13	3/4	3/4	1-1/2	Alum	ZTAM6CX12C-AL
M6 x 1	1/2	1/2-28	3/4	3/4	1-1/2	18-8	ZTAM6CX12EF-188
M6 x 1	1/2	1/2-28	3/4	3/4	1-1/2	316	ZTAM6CX12EF-316
M6 x 1	1/2	1/2-20	3/4	3/4	1-1/2	18-8	ZTAM6CX12F-188
M6 x 1	1/2	1/2-20	3/4	3/4	1-1/2	316	ZTAM6CX12F-316
M6 x 1	1/2	1/2-20	3/4	3/4	1-1/2	Alum	ZTAM6CX12F-AL
M6 x 1	1/2	1/4-20	5/8	1/2	1	316	ZTAM6CX14C-316
M6 x 1	1/2	1/4-32	5/8	1/2	1	18-8	ZTAM6CX14EF-188
M6 x 1	1/2	1/4-28	5/8	1/2	1	18-8	ZTAM6CX14F-188
M6 x 1	1/2	1/4-28	5/8	1/2	1	316	ZTAM6CX14F-316
M6 x 1	1/2	3/8-16	9/16	5/8	1	18-8	ZTAM6CX38C-188
M6 x 1	1/2	3/8-16	9/16	5/8	1	316	ZTAM6CX38C-316
M6 x 1	1/2	3/8-16	9/16	5/8	1	Alum	ZTAM6CX38C-AL
M6 x 1	1/2	3/8-32	9/16	5/8	1	18-8	ZTAM6CX38EF-188
M6 x 1	1/2	3/8-24	9/16	5/8	1	18-8	ZTAM6CX38F-188
M6 x 1	1/2	3/8-24	9/16	5/8	1	316	ZTAM6CX38F-316
M6 x 1	1/2	3/8-24	9/16	5/8	1	Alum	ZTAM6CX38F-AL
M6 x 1	1/2	5/16-18	15/32	1/2	1	316	ZTAM6CX51C-316
M6 x 1	1/2	5/16-32	15/32	1/2	1	18-8	ZTAM6CX51EF-188
M6 x 1	1/2	5/16-24	15/32	1/2	1	18-8	ZTAM6CX51F-188
M6 x 1	1/2	5/16-24	15/32	1/2	1	316	ZTAM6CX51F-316
M6 x 1	1/2	8-32	7/16	3/8	3/4	316	ZTAM6CX8C-316
M6 x 1	1/2	8-36	7/16	3/8	3/4	18-8	ZTAM6CX8F-188
M6 x 1	12.7mm	M5 x 0.8	9.5mm	13mm	19.1mm	316	ZTAM6CXM5C-316
M6 x 1	12.7mm	M5 x 0.5	9.5mm	13mm	19.1mm	18-8	ZTAM6CXM5F-188
M6 x 1	12.7mm	M6 x .750	9.5mm	14mm	19.1mm	18-8	ZTAM6CXM6F-188
M6 x 1	12.7mm	M8 x 1.25	9.5mm	14mm	19.1mm	316	ZTAM6CXM8C-316
M6 x 1	12.7mm	M8 x 1	9.5mm	14mm	19.1mm	18-8	ZTAM6CXM8F-188
M6 x 1	12.7mm	M8 x 1	9.5mm	14mm	19.1mm	316	ZTAM6CXM8F-316
M6 x 1	12.7mm	M8 x 1	9.5mm	14mm	19.1mm	Alum	ZTAM6CXM8F-AL
M8 x 1	1/2	10-24	7/16	1/2	3/4	18-8	ZTAM8FX10C-188
M8 x 1	1/2	10-32	7/16	1/2	3/4	18-8	ZTAM8FX10F-188
M8 x 1	1/2	10-32	7/16	1/2	3/4	316	ZTAM8FX10F-316
M8 x 1	1/2	1/4-20	5/8	1/2	1	18-8	ZTAM8FX14C-188

## Male-Female Hex Thread Adapters

Metric Male Thread Size



Male Thread A Side	Male Thd Lth A Side	Female Thread B Side	Female Thd Lth B Side	Hex A/F	Hex Length	Material	Part Number
M8 x 1	1/2	1/4-20	5/8	1/2	1	316	ZTAM8FX14C-316
M8 x 1	1/2	1/4-20	5/8	1/2	1	Alum	ZTAM8FX14C-AL
M8 x 1	1/2	1/4-32	5/8	1/2	1	18-8	ZTAM8FX14EF-188
M8 x 1	1/2	1/4-28	5/8	1/2	1	18-8	ZTAM8FX14F-188
M8 x 1	1/2	5/16-18	5/8	5/8	1	18-8	ZTAM8FX51C-188
M8 x 1	1/2	5/16-18	5/8	5/8	1	316	ZTAM8FX51C-316
M8 x 1	1/2	5/16-18	5/8	5/8	1	Alum	ZTAM8FX51C-AL
M8 x 1	1/2	5/16-32	5/8	1/2	1	18-8	ZTAM8FX51EF-188
M8 x 1	1/2	5/16-24	5/8	1/2	1	18-8	ZTAM8FX51F-188
M8 x 1	12.7mm	M10 x 1.5	14.3mm	16mm	25.4mm	18-8	ZTAM8FXM10C-188
M8 x 1	12.7mm	M10 x 1.5	14.3mm	16mm	25.4mm	316	ZTAM8FXM10C-316
M8 x 1	12.7mm	M10 x 1.5	14.3mm	16mm	25.4mm	Alum	ZTAM8FXM10C-AL
M8 x 1	12.7mm	M10 x 1	17.4mm	16mm	25.4mm	18-8	ZTAM8FXM10EF-188
M8 x 1	12.7mm	M10 x 1	17.4mm	16mm	25.4mm	316	ZTAM8FXM10EF-316
M8 x 1	12.7mm	M10 x 1.25	14.3mm	16mm	25.4mm	18-8	ZTAM8FXM10F-188
M8 x 1	12.7mm	M10 x 1.25	14.3mm	16mm	25.4mm	316	ZTAM8FXM10F-316
M8 x 1	12.7mm	M6 x 1	11.1mm	13mm	19.1mm	18-8	ZTAM8FXM6C-188
M8 x 1	12.7mm	M6 x 1	11.1mm	13mm	19.1mm	316	ZTAM8FXM6C-316
M8 x 1	12.7mm	M6 x .750	11.1mm	13mm	19.1mm	18-8	ZTAM8FXM6F-188
M8 x 1	12.7mm	M8 x 1.25	9.5mm	14mm	19.1mm	316	ZTAM8FXM8C-316
M8 x 1	12.7mm	M8 x 1.25	9.5mm	14mm	19.1mm	Alum	ZTAM8FXM8C-AL
M8 x 1	5/8	1/2-13	11/16	3/4	1-1/2	18-8	ZTAM8FX12C-188
M8 x 1	5/8	1/2-13	11/16	3/4	1-1/2	316	ZTAM8FX12C-316
M8 x 1	5/8	1/2-13	11/16	3/4	1-1/2	Alum	ZTAM8FX12C-AL
M8 x 1	5/8	1/2-28	11/16	3/4	1-1/2	18-8	ZTAM8FX12EF-188
M8 x 1	5/8	1/2-20	11/16	3/4	1-1/2	18-8	ZTAM8FX12F-188
M8 x 1	5/8	1/2-20	11/16	3/4	1-1/2	316	ZTAM8FX12F-316
M8 x 1	5/8	3/8-16	9/16	1/2	1	18-8	ZTAM8FX38C-188
M8 x 1	5/8	3/8-16	9/16	1/2	1	316	ZTAM8FX38C-316
M8 x 1	5/8	3/8-16	9/16	1/2	1	Alum	ZTAM8FX38C-AL
M8 x 1	5/8	3/8-32	9/16	1/2	1	18-8	ZTAM8FX38EF-188
M8 x 1	5/8	3/8-24	9/16	1/2	1	18-8	ZTAM8FX38F-188
M8 x 1.25	1/2	10-24	7/16	1/2	3/4	18-8	ZTAM8CX10C-188
M8 x 1.25	1/2	10-24	7/16	1/2	3/4	316	ZTAM8CX10C-316
M8 x 1.25	1/2	10-32	7/16	1/2	3/4	316	ZTAM8CX10F-316
M8 x 1.25	1/2	1/4-20	5/8	1/2	1	316	ZTAM8CX14C-316
M8 x 1.25	1/2	1/4-32	5/8	1/2	1	18-8	ZTAM8CX14EF-188
M8 x 1.25	1/2	1/4-28	5/8	1/2	1	18-8	ZTAM8CX14F-188
M8 x 1.25	1/2	1/4-28	5/8	1/2	1	316	ZTAM8CX14F-316

# Threaded Adapters

18-8 SS, 316 SS,  
Alum, Steel

## Male-Female Hex Thread Adapters

Metric Male Thread Size



Male Thread A Side	Male Thd Lth A Side	Female Thread B Side	Female Thd Lth B Side	Hex A/F	Hex Length	Material	Part Number
M8 x 1.25	1/2	5/16-18	5/8	5/8	1	316	ZTAM8CX51C-316
M8 x 1.25	1/2	5/16-32	5/8	5/8	1	18-8	ZTAM8CX51EF-188
M8 x 1.25	1/2	5/16-24	5/8	5/8	1	18-8	ZTAM8CX51F-188
M8 x 1.25	1/2	5/16-24	5/8	5/8	1	316	ZTAM8CX51F-316
M8 x 1.25	12.7mm	M10 x 1.5	14.3mm	16mm	25.4mm	316	ZTAM8CXM10C-316
M8 x 1.25	12.7mm	M10 x 1.5	14.3mm	16mm	25.4mm	Alum	ZTAM8CXM10C-AL
M8 x 1.25	12.7mm	M10 x 1	17.4mm	16mm	25.4mm	316	ZTAM8CXM10EF-316
M8 x 1.25	12.7mm	M10 x 1.25	14.3mm	16mm	25.4mm	18-8	ZTAM8CXM10F-188
M8 x 1.25	12.7mm	M10 x 1.25	14.3mm	16mm	25.4mm	316	ZTAM8CXM10F-316
M8 x 1.25	12.7mm	M10 x 1.25	14.3mm	16mm	25.4mm	Alum	ZTAM8CXM10F-AL
M8 x 1.25	12.7mm	M6 x 1	11.1mm	13mm	19.1mm	316	ZTAM8CXM6C-316
M8 x 1.25	12.7mm	M6 x .750	11.1mm	13mm	19.1mm	18-8	ZTAM8CXM6F-188
M8 x 1.25	12.7mm	M8 x 1	11.1mm	14mm	19.1mm	316	ZTAM8CXM8F-316
M8 x 1.25	12.7mm	M8 x 1	11.1mm	14mm	19.1mm	Alum	ZTAM8CXM8F-AL
M8 x 1.25	5/8	1/2-13	11/16	3/4	1-1/2	18-8	ZTAM8CX12C-188
M8 x 1.25	5/8	1/2-13	11/16	3/4	1-1/2	316	ZTAM8CX12C-316
M8 x 1.25	5/8	1/2-13	11/16	3/4	1-1/2	Alum	ZTAM8CX12C-AL
M8 x 1.25	5/8	1/2-28	11/16	3/4	1-1/2	18-8	ZTAM8CX12EF-188
M8 x 1.25	5/8	1/2-28	11/16	3/4	1-1/2	316	ZTAM8CX12EF-316
M8 x 1.25	5/8	1/2-20	11/16	3/4	1-1/2	18-8	ZTAM8CX12F-188
M8 x 1.25	5/8	1/2-20	11/16	3/4	1-1/2	316	ZTAM8CX12F-316
M8 x 1.25	5/8	1/2-20	11/16	3/4	1-1/2	Alum	ZTAM8CX12F-AL
M8 x 1.25	5/8	3/8-16	9/16	5/8	1	18-8	ZTAM8CX38C-188
M8 x 1.25	5/8	3/8-16	9/16	5/8	1	316	ZTAM8CX38C-316
M8 x 1.25	5/8	3/8-16	9/16	5/8	1	Alum	ZTAM8CX38C-AL
M8 x 1.25	5/8	3/8-32	9/16	5/8	1	18-8	ZTAM8CX38EF-188
M8 x 1.25	5/8	3/8-24	9/16	5/8	1	18-8	ZTAM8CX38F-188
M8 x 1.25	5/8	3/8-24	9/16	5/8	1	316	ZTAM8CX38F-316
M8 x 1.25	5/8	3/8-24	9/16	5/8	1	Alum	ZTAM8CX38F-AL
M10 x 1	5/8	1/4-20	3/8	5/8	1	18-8	ZTAM10EFX14C-188
M10 x 1	5/8	1/4-20	3/8	5/8	1	316	ZTAM10EFX14C-316
M10 x 1	5/8	1/4-20	3/8	5/8	1	Alum	ZTAM10EFX14C-AL
M10 x 1	5/8	1/4-32	3/8	5/8	1	18-8	ZTAM10EFX14EF-188
M10 x 1	5/8	1/4-28	3/8	5/8	1	18-8	ZTAM10EFX14F-188
M10 x 1	5/8	3/8-16	7/8	5/8	1-1/2	18-8	ZTAM10EFX38C-188
M10 x 1	5/8	3/8-16	7/8	5/8	1-1/2	316	ZTAM10EFX38C-316
M10 x 1	5/8	3/8-16	7/8	5/8	1-1/2	Alum	ZTAM10EFX38C-AL
M10 x 1	5/8	3/8-32	7/8	5/8	1-1/2	18-8	ZTAM10EFX38EF-188
M10 x 1	5/8	3/8-24	7/8	5/8	1-1/2	18-8	ZTAM10EFX38F-188

## Male-Female Hex Thread Adapters

Metric Male Thread Size



Male Thread A Side	Male Thd Lth A Side	Female Thread B Side	Female Thd Lth B Side	Hex A/F	Hex Length	Material	Part Number
M10 x 1	5/8	3/8-24	7/8	5/8	1-1/2	316	ZTAM10EFX38F-316
M10 x 1	5/8	5/16-18	5/8	5/8	1	18-8	ZTAM10EFX51C-188
M10 x 1	5/8	5/16-18	5/8	5/8	1	316	ZTAM10EFX51C-316
M10 x 1	5/8	5/16-18	5/8	5/8	1	Alum	ZTAM10EFX51C-AL
M10 x 1	5/8	5/16-32	5/8	5/8	1	18-8	ZTAM10EFX51EF-188
M10 x 1	5/8	5/16-24	5/8	5/8	1	18-8	ZTAM10EFX51F-188
M10 x 1	16mm	M10 x 1.5	14.3mm	16mm	25.4mm	316	ZTAM10EFXM10C-316
M10 x 1	16mm	M10 x 1.5	14.3mm	16mm	25.4mm	Alum	ZTAM10EFXM10C-AL
M10 x 1	16mm	M10 x 1.25	15.9mm	16mm	25.4mm	316	ZTAM10EFXM10F-316
M10 x 1	16mm	M12 x 1.75	22.2mm	22mm	38.1mm	18-8	ZTAM10EFXM12C-188
M10 x 1	16mm	M12 x 1.75	22.2mm	22mm	38.1mm	316	ZTAM10EFXM12C-316
M10 x 1	16mm	M12 x 1.75	22.2mm	22mm	38.1mm	Alum	ZTAM10EFXM12C-AL
M10 x 1	16mm	M12 x 1.25	22.2mm	22mm	38.1mm	18-8	ZTAM10EFXM12EF-188
M10 x 1	16mm	M12 x 1.25	22.2mm	22mm	38.1mm	316	ZTAM10EFXM12EF-316
M10 x 1	16mm	M12 x 1.25	22.2mm	22mm	38.1mm	Alum	ZTAM10EFXM12EF-AL
M10 x 1	16mm	M12 x 1.5	22.2mm	22mm	38.1mm	18-8	ZTAM10EFXM12F-188
M10 x 1	16mm	M12 x 1.5	22.2mm	22mm	38.1mm	316	ZTAM10EFXM12F-316
M10 x 1	16mm	M8 x 1.25	9.5mm	14mm	19.1mm	18-8	ZTAM10EFXM8C-188
M10 x 1	16mm	M8 x 1.25	9.5mm	14mm	19.1mm	316	ZTAM10EFXM8C-316
M10 x 1	16mm	M8 x 1.25	9.5mm	14mm	19.1mm	Alum	ZTAM10EFXM8C-AL
M10 x 1	16mm	M8 x 1	9.5mm	14mm	19.1mm	18-8	ZTAM10EFXM8F-188
M10 x 1	3/4	1/2-13	3/4	3/4	1-1/2	18-8	ZTAM10EFX12C-188
M10 x 1	3/4	1/2-13	3/4	3/4	1-1/2	316	ZTAM10EFX12C-316
M10 x 1	3/4	1/2-13	3/4	3/4	1-1/2	Alum	ZTAM10EFX12C-AL
M10 x 1	3/4	1/2-28	3/4	3/4	1-1/2	18-8	ZTAM10EFX12EF-188
M10 x 1	3/4	1/2-20	3/4	3/4	1-1/2	18-8	ZTAM10EFX12F-188
M10 x 1	3/4	1/2-20	3/4	3/4	1-1/2	316	ZTAM10EFX12F-316
M10 x 1.25	5/8	1/4-20	3/8	5/8	1	18-8	ZTAM10FX14C-188
M10 x 1.25	5/8	1/4-20	3/8	5/8	1	316	ZTAM10FX14C-316
M10 x 1.25	5/8	1/4-20	3/8	5/8	1	Alum	ZTAM10FX14C-AL
M10 x 1.25	5/8	1/4-32	3/8	5/8	1	18-8	ZTAM10FX14EF-188
M10 x 1.25	5/8	1/4-28	3/8	5/8	1	18-8	ZTAM10FX14F-188
M10 x 1.25	5/8	3/8-16	7/8	5/8	1-1/2	18-8	ZTAM10FX38C-188
M10 x 1.25	5/8	3/8-16	7/8	5/8	1-1/2	316	ZTAM10FX38C-316
M10 x 1.25	5/8	3/8-16	7/8	5/8	1-1/2	Alum	ZTAM10FX38C-AL
M10 x 1.25	5/8	3/8-32	7/8	5/8	1-1/2	18-8	ZTAM10FX38EF-188
M10 x 1.25	5/8	3/8-32	7/8	5/8	1-1/2	316	ZTAM10FX38EF-316
M10 x 1.25	5/8	3/8-24	7/8	5/8	1-1/2	18-8	ZTAM10FX38F-188
M10 x 1.25	5/8	3/8-24	7/8	5/8	1-1/2	316	ZTAM10FX38F-316

# Threaded Adapters

18-8 SS, 316 SS,  
Alum, Steel



## Male-Female Hex Thread Adapters

Metric Male Thread Size

Male Thread A Side	Male Thd Lth A Side	Female Thread B Side	Female Thd Lth B Side	Hex A/F	Hex Length	Material	Part Number
M10 x 1.25	5/8	5/16-18	5/8	5/8	1	18-8	ZTAM10FX51C-188
M10 x 1.25	5/8	5/16-18	5/8	5/8	1	316	ZTAM10FX51C-316
M10 x 1.25	5/8	5/16-18	5/8	5/8	1	Alum	ZTAM10FX51C-AL
M10 x 1.25	5/8	5/16-32	5/8	5/8	1	18-8	ZTAM10FX51EF-188
M10 x 1.25	5/8	5/16-24	5/8	5/8	1	18-8	ZTAM10FX51F-188
M10 x 1.25	16mm	M10 x 1.5	14.3mm	16mm	25.4mm	316	ZTAM10FXM10C-316
M10 x 1.25	16mm	M10 x 1.5	14.3mm	16mm	25.4mm	Alum	ZTAM10FXM10C-AL
M10 x 1.25	16mm	M10 x 1	14.3mm	16mm	25.4mm	18-8	ZTAM10FXM10EF-188
M10 x 1.25	16mm	M12 x 1.75	22.2mm	22mm	38.1mm	18-8	ZTAM10FXM12C-188
M10 x 1.25	16mm	M12 x 1.75	22.2mm	22mm	38.1mm	316	ZTAM10FXM12C-316
M10 x 1.25	16mm	M12 x 1.75	22.2mm	22mm	38.1mm	Alum	ZTAM10FXM12C-AL
M10 x 1.25	16mm	M12 x 1.25	22.2mm	22mm	38.1mm	18-8	ZTAM10FXM12EF-188
M10 x 1.25	16mm	M12 x 1.25	22.2mm	22mm	38.1mm	316	ZTAM10FXM12EF-316
M10 x 1.25	16mm	M12 x 1.25	22.2mm	22mm	38.1mm	Alum	ZTAM10FXM12EF-AL
M10 x 1.25	16mm	M12 x 1.5	22.2mm	22mm	38.1mm	18-8	ZTAM10FXM12F-188
M10 x 1.25	16mm	M12 x 1.5	22.2mm	22mm	38.1mm	316	ZTAM10FXM12F-316
M10 x 1.25	16mm	M12 x 1.5	22.2mm	22mm	38.1mm	Alum	ZTAM10FXM12F-AL
M10 x 1.25	16mm	M8 x 1.25	9.5mm	14mm	19.1mm	18-8	ZTAM10FXM8C-188
M10 x 1.25	16mm	M8 x 1.25	9.5mm	14mm	19.1mm	316	ZTAM10FXM8C-316
M10 x 1.25	16mm	M8 x 1.25	9.5mm	14mm	19.1mm	Alum	ZTAM10FXM8C-AL
M10 x 1.25	16mm	M8 x 1	9.5mm	14mm	19.1mm	18-8	ZTAM10FXM8F-188
M10 x 1.25	16mm	M8 x 1	9.5mm	14mm	19.1mm	316	ZTAM10FXM8F-316
M10 x 1.25	3/4	1/2-13	3/4	3/4	1-1/2	18-8	ZTAM10FX12C-188
M10 x 1.25	3/4	1/2-13	3/4	3/4	1-1/2	316	ZTAM10FX12C-316
M10 x 1.25	3/4	1/2-13	3/4	3/4	1-1/2	Alum	ZTAM10FX12C-AL
M10 x 1.25	3/4	1/2-28	3/4	3/4	1-1/2	18-8	ZTAM10FX12EF-188
M10 x 1.25	3/4	1/2-28	3/4	3/4	1-1/2	316	ZTAM10FX12EF-316
M10 x 1.25	3/4	1/2-20	3/4	3/4	1-1/2	18-8	ZTAM10FX12F-188
M10 x 1.25	3/4	1/2-20	3/4	3/4	1-1/2	316	ZTAM10FX12F-316
M10 x 1.5	5/8	1/4-20	3/8	5/8	1	18-8	ZTAM10CX14C-188
M10 x 1.5	5/8	1/4-20	3/8	5/8	1	316	ZTAM10CX14C-316
M10 x 1.5	5/8	1/4-20	3/8	5/8	1	Alum	ZTAM10CX14C-AL
M10 x 1.5	5/8	1/4-32	3/8	5/8	1	18-8	ZTAM10CX14EF-188
M10 x 1.5	5/8	1/4-28	3/8	5/8	1	18-8	ZTAM10CX14F-188
M10 x 1.5	5/8	3/8-16	7/8	5/8	1-1/2	316	ZTAM10CX38C-316
M10 x 1.5	5/8	3/8-16	7/8	5/8	1-1/2	Alum	ZTAM10CX38C-AL
M10 x 1.5	5/8	3/8-32	7/8	5/8	1-1/2	18-8	ZTAM10CX38EF-188
M10 x 1.5	5/8	3/8-32	7/8	5/8	1-1/2	316	ZTAM10CX38EF-316
M10 x 1.5	5/8	3/8-24	7/8	5/8	1-1/2	18-8	ZTAM10CX38F-188

## Male-Female Hex Thread Adapters

Metric Male Thread Size



Male Thread A Side	Male Thd Lth A Side	Female Thread B Side	Female Thd Lth B Side	Hex A/F	Hex Length	Material	Part Number
M10 x 1.5	5/8	3/8-24	7/8	5/8	1-1/2	316	ZTAM10CX38F-316
M10 x 1.5	5/8	5/16-18	5/8	5/8	1	316	ZTAM10CX51C-316
M10 x 1.5	5/8	5/16-18	5/8	5/8	1	Alum	ZTAM10CX51C-AL
M10 x 1.5	5/8	5/16-32	5/8	5/8	1	18-8	ZTAM10CX51EF-188
M10 x 1.5	5/8	5/16-24	5/8	5/8	1	18-8	ZTAM10CX51F-188
M10 x 1.5	5/8	5/16-24	5/8	5/8	1	316	ZTAM10CX51F-316
M10 x 1.5	16mm	M10 x 1	17.4mm	16mm	25.4mm	316	ZTAM10CXM10EF-316
M10 x 1.5	16mm	M10 x 1.25	15.9mm	16mm	25.4mm	316	ZTAM10CXM10F-316
M10 x 1.5	16mm	M10 x 1.25	15.9mm	16mm	25.4mm	Alum	ZTAM10CXM10F-AL
M10 x 1.5	16mm	M12 x 1.75	22.2mm	22mm	38.1mm	316	ZTAM10CXM12C-316
M10 x 1.5	16mm	M12 x 1.75	22.2mm	22mm	38.1mm	Alum	ZTAM10CXM12C-AL
M10 x 1.5	16mm	M12 x 1.25	22.2mm	22mm	38.1mm	18-8	ZTAM10CXM12EF-188
M10 x 1.5	16mm	M12 x 1.25	22.2mm	22mm	38.1mm	316	ZTAM10CXM12EF-316
M10 x 1.5	16mm	M12 x 1.25	22.2mm	22mm	38.1mm	Alum	ZTAM10CXM12EF-AL
M10 x 1.5	16mm	M12 x 1.5	22.2mm	22mm	38.1mm	18-8	ZTAM10CXM12F-188
M10 x 1.5	16mm	M12 x 1.5	22.2mm	22mm	38.1mm	316	ZTAM10CXM12F-316
M10 x 1.5	16mm	M12 x 1.5	22.2mm	22mm	38.1mm	Alum	ZTAM10CXM12F-AL
M10 x 1.5	16mm	M8 x 1.25	9.5mm	14mm	19.1mm	316	ZTAM10CXM8C-316
M10 x 1.5	16mm	M8 x 1.25	9.5mm	14mm	19.1mm	Alum	ZTAM10CXM8C-AL
M10 x 1.5	16mm	M8 x 1	9.5mm	14mm	19.1mm	18-8	ZTAM10CXM8F-188
M10 x 1.5	16mm	M8 x 1	9.5mm	14mm	19.1mm	316	ZTAM10CXM8F-316
M10 x 1.5	3/4	1/2-13	3/4	3/4	1-1/2	18-8	ZTAM10CX12C-188
M10 x 1.5	3/4	1/2-13	3/4	3/4	1-1/2	316	ZTAM10CX12C-316
M10 x 1.5	3/4	1/2-13	3/4	3/4	1-1/2	Alum	ZTAM10CX12C-AL
M10 x 1.5	3/4	1/2-28	3/4	3/4	1-1/2	18-8	ZTAM10CX12EF-188
M10 x 1.5	3/4	1/2-28	3/4	3/4	1-1/2	316	ZTAM10CX12EF-316
M10 x 1.5	3/4	1/2-20	3/4	3/4	1-1/2	18-8	ZTAM10CX12F-188
M10 x 1.5	3/4	1/2-20	3/4	3/4	1-1/2	316	ZTAM10CX12F-316
M10 x 1.5	3/4	1/2-20	3/4	3/4	1-1/2	Alum	ZTAM10CX12F-AL
M12 x 1.25	18mm	M10 x 1.5	14.3mm	16mm	38.1mm	18-8	ZTAM12EFXM10C-188
M12 x 1.25	18mm	M10 x 1.5	14.3mm	16mm	38.1mm	316	ZTAM12EFXM10C-316
M12 x 1.25	18mm	M10 x 1.5	14.3mm	16mm	38.1mm	Alum	ZTAM12EFXM10C-AL
M12 x 1.25	18mm	M10 x 1	14.3mm	16mm	38.1mm	18-8	ZTAM12EFXM10EF-188
M12 x 1.25	18mm	M10 x 1	14.3mm	16mm	38.1mm	316	ZTAM12EFXM10EF-316
M12 x 1.25	18mm	M10 x 1	14.3mm	16mm	38.1mm	Alum	ZTAM12EFXM10EF-AL
M12 x 1.25	18mm	M10 x 1.25	14.3mm	16mm	38.1mm	18-8	ZTAM12EFXM10F-188
M12 x 1.25	18mm	M10 x 1.25	14.3mm	16mm	38.1mm	316	ZTAM12EFXM10F-316
M12 x 1.25	18mm	M12 x 1.75	22.2mm	22mm	38.1mm	316	ZTAM12EFXM12C-316
M12 x 1.25	18mm	M12 x 1.75	22.2mm	22mm	38.1mm	Alum	ZTAM12EFXM12C-AL

# Threaded Adapters

18-8 SS, 316 SS,  
Alum, Steel

## Male-Female Hex Thread Adapters

Metric Male Thread Size



Male Thread A Side	Male Thd Lth A Side	Female Thread B Side	Female Thd Lth B Side	Hex A/F	Hex Length	Material	Part Number
M12 x 1.25	18mm	M12 x 1.5	22.2mm	22mm	38.1mm	316	ZTAM12EFXM12F-316
M12 x 1.25	18mm	M12 x 1.5	22.2mm	22mm	38.1mm	Alum	ZTAM12EFXM12F-AL
M12 x 1.25	3/4	1/2-13	7/8	3/4	1-1/2	18-8	ZTAM12EFX12C-188
M12 x 1.25	3/4	1/2-13	7/8	3/4	1-1/2	316	ZTAM12EFX12C-316
M12 x 1.25	3/4	1/2-13	7/8	3/4	1-1/2	Alum	ZTAM12EFX12C-AL
M12 x 1.25	3/4	1/2-28	7/8	3/4	1-1/2	18-8	ZTAM12EFX12EF-188
M12 x 1.25	3/4	1/2-28	7/8	3/4	1-1/2	316	ZTAM12EFX12EF-316
M12 x 1.25	3/4	1/2-20	7/8	3/4	1-1/2	18-8	ZTAM12EFX12F-188
M12 x 1.25	3/4	1/2-20	7/8	3/4	1-1/2	316	ZTAM12EFX12F-316
M12 x 1.25	3/4	3/8-16	7/8	3/4	1-1/2	18-8	ZTAM12EFX38C-188
M12 x 1.25	3/4	3/8-16	7/8	3/4	1-1/2	316	ZTAM12EFX38C-316
M12 x 1.25	3/4	3/8-16	7/8	3/4	1-1/2	Alum	ZTAM12EFX38C-AL
M12 x 1.25	3/4	3/8-32	7/8	3/4	1-1/2	18-8	ZTAM12EFX38EF-188
M12 x 1.25	3/4	3/8-32	7/8	3/4	1-1/2	316	ZTAM12EFX38EF-316
M12 x 1.25	3/4	3/8-24	7/8	3/4	1-1/2	18-8	ZTAM12EFX38F-188
M12 x 1.25	3/4	3/8-24	7/8	3/4	1-1/2	316	ZTAM12EFX38F-316
M12 x 1.25	7/8	1/4-20	3/8	3/4	1-1/2	18-8	ZTAM12EFX14C-188
M12 x 1.25	7/8	1/4-20	3/8	3/4	1-1/2	316	ZTAM12EFX14C-316
M12 x 1.25	7/8	1/4-20	3/8	3/4	1-1/2	Alum	ZTAM12EFX14C-AL
M12 x 1.25	7/8	1/4-32	3/8	3/4	1-1/2	18-8	ZTAM12EFX14EF-188
M12 x 1.25	7/8	1/4-28	3/8	3/4	1-1/2	18-8	ZTAM12EFX14F-188
M12 x 1.25	7/8	1/4-28	3/8	3/4	1-1/2	316	ZTAM12EFX14F-316
M12 x 1.25	7/8	5/16-18	15/32	3/4	1-1/2	18-8	ZTAM12EFX51C-188
M12 x 1.25	7/8	5/16-18	15/32	3/4	1-1/2	316	ZTAM12EFX51C-316
M12 x 1.25	7/8	5/16-18	15/32	3/4	1-1/2	Alum	ZTAM12EFX51C-AL
M12 x 1.25	7/8	5/16-32	15/32	3/4	1-1/2	18-8	ZTAM12EFX51EF-188
M12 x 1.25	7/8	5/16-24	15/32	3/4	1-1/2	18-8	ZTAM12EFX51F-188
M12 x 1.25	7/8	5/16-24	15/32	3/4	1-1/2	316	ZTAM12EFX51F-316
M12 x 1.5	18mm	M10 x 1.5	14.3mm	16mm	38.1mm	18-8	ZTAM12FXM10C-188
M12 x 1.5	18mm	M10 x 1.5	14.3mm	16mm	38.1mm	316	ZTAM12FXM10C-316
M12 x 1.5	18mm	M10 x 1.5	14.3mm	16mm	38.1mm	Alum	ZTAM12FXM10C-AL
M12 x 1.5	18mm	M10 x 1	14.3mm	16mm	38.1mm	18-8	ZTAM12FXM10EF-188
M12 x 1.5	18mm	M10 x 1	14.3mm	16mm	38.1mm	316	ZTAM12FXM10EF-316
M12 x 1.5	18mm	M10 x 1.25	14.3mm	16mm	38.1mm	18-8	ZTAM12FXM10F-188
M12 x 1.5	18mm	M10 x 1.25	14.3mm	16mm	38.1mm	316	ZTAM12FXM10F-316
M12 x 1.5	18mm	M12 x 1.75	22.2mm	22mm	38.1mm	316	ZTAM12FXM12C-316
M12 x 1.5	18mm	M12 x 1.75	22.2mm	22mm	38.1mm	Alum	ZTAM12FXM12C-AL
M12 x 1.5	18mm	M12 x 1.25	22.2mm	22mm	38.1mm	316	ZTAM12FXM12EF-316
M12 x 1.5	18mm	M12 x 1.25	22.2mm	22mm	38.1mm	Alum	ZTAM12FXM12EF-AL

## Male-Female Hex Thread Adapters

Metric Male Thread A Size



Male Thread A Side	Male Thd Lth A Side	Female Thread B Side	Female Thd Lth B Side	Hex A/F	Hex Length	Material	Part Number
M12 x 1.5	3/4	1/2-13	7/8	3/4	1-1/2	18-8	ZTAM12FX12C-188
M12 x 1.5	3/4	1/2-13	7/8	3/4	1-1/2	316	ZTAM12FX12C-316
M12 x 1.5	3/4	1/2-13	7/8	3/4	1-1/2	Alum	ZTAM12FX12C-AL
M12 x 1.5	3/4	1/2-28	7/8	3/4	1-1/2	18-8	ZTAM12FX12EF-188
M12 x 1.5	3/4	1/2-20	7/8	3/4	1-1/2	18-8	ZTAM12FX12F-188
M12 x 1.5	3/4	1/2-20	7/8	3/4	1-1/2	316	ZTAM12FX12F-316
M12 x 1.5	3/4	3/8-16	7/8	3/4	1-1/2	18-8	ZTAM12FX38C-188
M12 x 1.5	3/4	3/8-16	7/8	3/4	1-1/2	316	ZTAM12FX38C-316
M12 x 1.5	3/4	3/8-16	7/8	3/4	1-1/2	Alum	ZTAM12FX38C-AL
M12 x 1.5	3/4	3/8-32	7/8	3/4	1-1/2	18-8	ZTAM12FX38EF-188
M12 x 1.5	3/4	3/8-24	7/8	3/4	1-1/2	18-8	ZTAM12FX38F-188
M12 x 1.5	3/4	3/8-24	7/8	3/4	1-1/2	316	ZTAM12FX38F-316
M12 x 1.5	7/8	1/4-20	3/8	3/4	1-1/2	18-8	ZTAM12FX14C-188
M12 x 1.5	7/8	1/4-20	3/8	3/4	1-1/2	316	ZTAM12FX14C-316
M12 x 1.5	7/8	1/4-20	3/8	3/4	1-1/2	Alum	ZTAM12FX14C-AL
M12 x 1.5	7/8	1/4-32	3/8	3/4	1-1/2	18-8	ZTAM12FX14EF-188
M12 x 1.5	7/8	1/4-28	3/8	3/4	1-1/2	18-8	ZTAM12FX14F-188
M12 x 1.5	7/8	1/4-28	3/8	3/4	1-1/2	316	ZTAM12FX14F-316
M12 x 1.5	7/8	5/16-18	15/32	3/4	1-1/2	18-8	ZTAM12FX51C-188
M12 x 1.5	7/8	5/16-18	15/32	3/4	1-1/2	316	ZTAM12FX51C-316
M12 x 1.5	7/8	5/16-18	15/32	3/4	1-1/2	Alum	ZTAM12FX51C-AL
M12 x 1.5	7/8	5/16-32	15/32	3/4	1-1/2	18-8	ZTAM12FX51EF-188
M12 x 1.5	7/8	5/16-24	15/32	3/4	1-1/2	18-8	ZTAM12FX51F-188
M12 x 1.5	7/8	5/16-24	15/32	3/4	1-1/2	316	ZTAM12FX51F-316
M12 x 1.75	18mm	M10 x 1.5	14.3mm	16mm	38.1mm	316	ZTAM12CXM10C-316
M12 x 1.75	18mm	M10 x 1.5	14.3mm	16mm	38.1mm	Alum	ZTAM12CXM10C-AL
M12 x 1.75	18mm	M10 x 1	14.3mm	16mm	38.1mm	18-8	ZTAM12CXM10EF-188
M12 x 1.75	18mm	M10 x 1	14.3mm	16mm	38.1mm	316	ZTAM12CXM10EF-316
M12 x 1.75	18mm	M10 x 1.25	14.3mm	16mm	38.1mm	18-8	ZTAM12CXM10F-188
M12 x 1.75	18mm	M10 x 1.25	14.3mm	16mm	38.1mm	316	ZTAM12CXM10F-316
M12 x 1.75	18mm	M12 x 1.25	22.2mm	22mm	38.1mm	316	ZTAM12CXM12EF-316
M12 x 1.75	18mm	M12 x 1.25	22.2mm	22mm	38.1mm	Alum	ZTAM12CXM12EF-AL
M12 x 1.75	18mm	M12 x 1.5	22.2mm	22mm	38.1mm	316	ZTAM12CXM12F-316
M12 x 1.75	18mm	M12 x 1.5	22.2mm	22mm	38.1mm	Alum	ZTAM12CXM12F-AL
M12 x 1.75	3/4	1/2-13	7/8	3/4	1-1/2	316	ZTAM12CX12C-316
M12 x 1.75	3/4	1/2-13	7/8	3/4	1-1/2	Alum	ZTAM12CX12C-AL
M12 x 1.75	3/4	1/2-28	7/8	3/4	1-1/2	18-8	ZTAM12CX12EF-188
M12 x 1.75	3/4	1/2-28	7/8	3/4	1-1/2	316	ZTAM12CX12EF-316
M12 x 1.75	3/4	1/2-20	7/8	3/4	1-1/2	18-8	ZTAM12CX12F-188
M12 x 1.75	3/4	1/2-20	7/8	3/4	1-1/2	316	ZTAM12CX12F-316

# Threaded Adapters

18-8 SS, 316 SS,  
Alum, Steel

## Male-Female Hex Thread Adapters

Metric Male Thread A Size



Male Thread A Side	Male Thd Lth A Side	Female Thread B Side	Female Thd Lth B Side	Hex A/F	Hex Length	Material	Part Number
M12 x 1.75	3/4	3/8-16	7/8	3/4	1-1/2	316	ZTAM12CX38C-316
M12 x 1.75	3/4	3/8-16	7/8	3/4	1-1/2	Alum	ZTAM12CX38C-AL
M12 x 1.75	3/4	3/8-32	7/8	3/4	1-1/2	18-8	ZTAM12CX38EF-188
M12 x 1.75	3/4	3/8-32	7/8	3/4	1-1/2	316	ZTAM12CX38EF-316
M12 x 1.75	3/4	3/8-24	7/8	3/4	1-1/2	18-8	ZTAM12CX38F-188
M12 x 1.75	3/4	3/8-24	7/8	3/4	1-1/2	316	ZTAM12CX38F-316
M12 x 1.75	7/8	1/4-20	3/8	3/4	1-1/2	18-8	ZTAM12CX14C-188
M12 x 1.75	7/8	1/4-20	3/8	3/4	1-1/2	316	ZTAM12CX14C-316
M12 x 1.75	7/8	1/4-20	3/8	3/4	1-1/2	Alum	ZTAM12CX14C-AL
M12 x 1.75	7/8	1/4-32	3/8	3/4	1-1/2	18-8	ZTAM12CX14EF-188
M12 x 1.75	7/8	1/4-28	3/8	3/4	1-1/2	18-8	ZTAM12CX14F-188
M12 x 1.75	7/8	1/4-28	3/8	3/4	1-1/2	316	ZTAM12CX14F-316
M12 x 1.75	7/8	5/16-18	15/32	3/4	1-1/2	18-8	ZTAM12CX51C-188
M12 x 1.75	7/8	5/16-18	15/32	3/4	1-1/2	316	ZTAM12CX51C-316
M12 x 1.75	7/8	5/16-18	15/32	3/4	1-1/2	Alum	ZTAM12CX51C-AL
M12 x 1.75	7/8	5/16-32	15/32	3/4	1-1/2	18-8	ZTAM12CX51EF-188
M12 x 1.75	7/8	5/16-24	15/32	3/4	1-1/2	18-8	ZTAM12CX51F-188
M12 x 1.75	7/8	5/16-24	15/32	3/4	1-1/2	316	ZTAM12CX51F-316

## Male-Male Hex Thread Adapters – Inch & Metric



316 Stainless Steel | Plain  
18-8 Stainless Steel | Plain  
Aluminum | Plain  
Steel | Zinc Steel | Black Oxide

### Product Information

These Male-Male Thread Adapters are available in Inch-to-Inch, Inch-to-Metric, and Metric-to-Metric sizes. Easily join two female-threaded parts of different sizes with these versatile male-male thread adapters. They feature a central hex nut for easy tightening and a secure connection.

Join threads with small diameters to large or coarse threads to fine with these adapters. Use them to position components in an assembly, or to create space between parts. An external hex lets you tighten or loosen them with a wrench. Change inch threads to metric with these adapters, or swap metric threads for inch. They meet ASTM specifications, which means the materials they are made from or plated with adhere to specific standards for chemical and physical properties, such as hardness.

- **Stainless Steel 18-8 (303)** : Type 303 (18-8) stainless steel offers excellent corrosion resistance. Maybe mildly magnetic. The most widely used stainless steel used in chemical and food processing equipment. Corrosion resistant to a wide range of chemicals; most dyes, food and nitric acid. For areas exposed to salt water or chemicals, 316 stainless steel adapters are the best choice. Only harsh chemicals, such as hydrochloric acid, will cause them to corrode.
- **Stainless Steel 316 (316/316L)** : Type 316 stainless steel is a chrome-nickel steel with superior corrosion resistance than 303 stainless steel. Widely used in chemical processing and marine environments, as the molybdenum in 316 stainless steel has higher resistance to chlorides. Type 316 is generally considered non-magnetic, but can become magnetic when cold worked.
- **Aluminum** : Aluminum has the strength of mild steel with one third the weight. Material is nonmagnetic. A corrosion resistant layer forms naturally on its surface, so aluminum offers good corrosion resistance to salt water and chemicals.
- **Black Oxide Steel** : Steel offers low strength properties and is magnetic. Steel is used in many general purpose applications and has a black oxide finish to prevent rust.



18-8 Stainless Steel



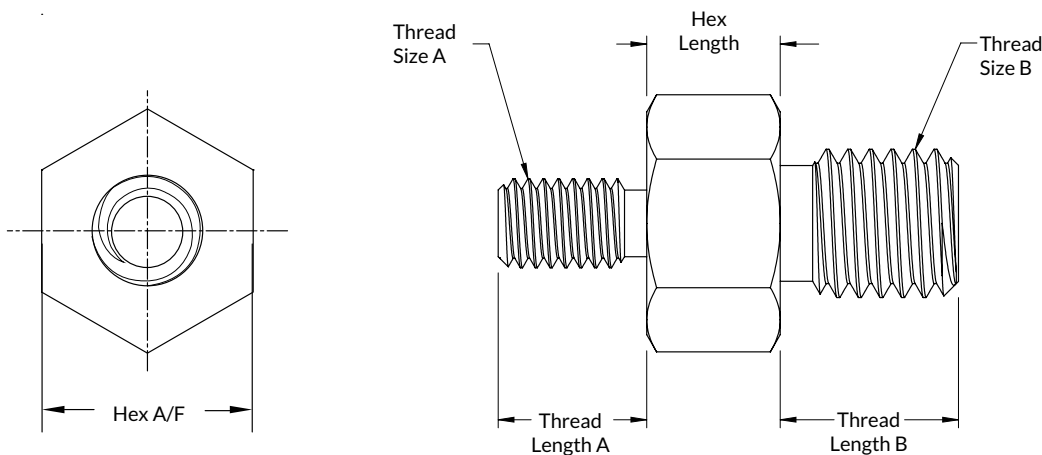
316 Stainless Steel



Aluminum



Black Oxide Steel



# Threaded Adapters

18-8 SS, 316 SS,  
Alum, Steel

## Male-Male Hex Adapters



Male Thread A Side	Male Thd Lth A Side	Male Thread B Side	Male Thd Lth B Side	Hex A/F	Hex Length	Material	Part Number
2-56	5/32	4-40	3/16	3/16	1/8	316	ZTAE2CX4C-316
2-56	5/32	4-48	3/16	3/16	1/8	18-8	ZTAE2CX4F-188
2-56	5/32	8-32	3/16	1/4	1/8	316	ZTAE2CX8C-316
4-40	3/16	4-48	3/16	1/4	1/8	18-8	ZTAE4CX4F-188
4-40	3/16	6-32	1/4	1/4	1/8	316	ZTAE4CX6C-316
4-40	3/16	6-40	1/4	1/4	1/8	18-8	ZTAE4CX6F-188
4-40	3/16	8-32	1/4	1/4	1/8	316	ZTAE4CX8C-316
4-40	3/16	10-24	1/4	5/16	1/8	18-8	ZTAE4CX10C-188
4-40	3/16	10-24	1/4	5/16	1/8	316	ZTAE4CX10C-316
4-40	3/16	10-32	1/4	5/16	1/8	316	ZTAE4CX10F-316
4-48	3/16	6-32	1/4	1/4	1/8	18-8	ZTAE4FX6C-188
4-48	3/16	6-40	1/4	1/4	1/8	18-8	ZTAE4FX6F-188
6-32	1/4	10-24	3/8	5/16	1/8	18-8	ZTAE6CX10C-188
6-32	1/4	10-24	3/8	5/16	1/8	316	ZTAE6CX10C-316
6-32	1/4	10-32	3/8	5/16	1/8	316	ZTAE6CX10F-316
6-32	1/4	1/4-20	3/8	3/8	3/16	316	ZTAE6CX14C-316
6-32	1/4	4-40	3/16	1/4	1/8	18-8	ZTAE6CX4C-188
6-32	1/4	6-40	1/4	1/4	1/8	18-8	ZTAE6CX6F-188
6-32	1/4	8-32	3/8	1/4	1/8	316	ZTAE6CX8C-316
6-32	1/4	8-36	3/8	1/4	1/8	18-8	ZTAE6CX8F-188
6-32	1/4	M4 x 0.7	3/8	1/4	1/8	316	ZTAE6CXM4C-316
6-32	1/4	M4 x 0.5	3/8	1/4	1/8	18-8	ZTAE6CXM4F-188
6-32	1/4	M5 x 0.8	3/8	1/4	1/8	316	ZTAE6CXM5C-316
6-32	1/4	M5 x 0.5	3/8	1/4	1/8	18-8	ZTAE6CXM5F-188
6-40	1/4	8-32	3/8	1/4	1/8	18-8	ZTAE6FX8C-188
6-40	1/4	8-36	3/8	1/4	1/8	18-8	ZTAE6FX8F-188
6-40	1/4	M4 x 0.7	3/8	1/4	1/8	18-8	ZTAE6FXM4C-188
6-40	1/4	M4 x 0.7	3/8	1/4	1/8	316	ZTAE6FXM4C-316
6-40	1/4	M5 x 0.8	3/8	1/4	1/8	18-8	ZTAE6FXM5C-188
6-40	1/4	M5 x 0.8	3/8	1/4	1/8	316	ZTAE6FXM5C-316
6-40	1/4	M5 x 0.5	3/8	1/4	1/8	18-8	ZTAE6FXM5F-188
8-32	3/8	10-24	3/8	5/16	1/8	18-8	ZTAE8CX10C-188
8-32	3/8	10-32	3/8	5/16	1/8	316	ZTAE8CX10F-316
8-32	3/8	1/4-20	3/8	3/8	3/16	316	ZTAE8CX14C-316
8-32	3/8	5/16-18	3/8	1/2	3/16	316	ZTAE8CX51C-316
8-32	3/8	8-36	3/8	1/4	1/8	18-8	ZTAE8CX8F-188
8-32	3/8	M5 x 0.8	3/8	1/4	1/8	316	ZTAE8CXM5C-316

## Male-Male Hex Adapters



Male Thread A Side	Male Thd Lth A Side	Male Thread B Side	Male Thd Lth B Side	Hex A/F	Hex Length	Material	Part Number
8-32	3/8	M5 x 0.5	3/8	1/4	1/8	18-8	ZTAE8CXM5F-188
8-32	3/8	M6 x 1	1/2	5/16	1/8	316	ZTAE8CXM6C-316
8-32	3/8	M6 x .750	1/2	5/16	1/8	18-8	ZTAE8CXM6F-188
8-36	3/8	10-24	3/8	5/16	1/8	18-8	ZTAE8FX10C-188
8-36	3/8	10-32	3/8	5/16	1/8	316	ZTAE8FX10F-316
8-36	3/8	10-32	3/8	5/16	1/8	18-8	ZTAE8FX10F-188
8-36	3/8	M5 x 0.8	3/8	1/4	1/8	18-8	ZTAE8FXM5C-188
8-36	3/8	M5 x 0.8	3/8	1/4	1/8	316	ZTAE8FXM5C-316
8-36	3/8	M5 x 0.5	3/8	1/4	1/8	18-8	ZTAE8FXM5F-188
8-36	3/8	M6 x 1	1/2	5/16	1/8	18-8	ZTAE8FXM6C-188
8-36	3/8	M6 x 1	1/2	5/16	1/8	316	ZTAE8FXM6C-316
8-36	3/8	M6 x 1	1/2	5/16	1/8	Alum	ZTAE8FXM6C-AL
8-36	3/8	M6 x .750	1/2	5/16	1/8	18-8	ZTAE8FXM6F-188
10-24	3/8	10-32	3/8	5/16	1/8	316	ZTAE10CX10F-316
10-24	3/8	10-32	3/8	5/16	1/8	Alum	ZTAE10CX10F-AL
10-24	3/8	1/4-20	5/8	3/8	3/16	18-8	ZTAE10CX14C-188
10-24	3/8	1/4-20	5/8	3/8	3/16	316	ZTAE10CX14C-316
10-24	3/8	1/4-20	5/8	3/8	3/16	Alum	ZTAE10CX14C-AL
10-24	3/8	1/4-20	3/8	3/8	3/16	Stl Blk	ZTAE10CX14CSTL-B
10-24	3/8	1/4-32	5/8	3/8	3/16	18-8	ZTAE10CX14EF-188
10-24	3/8	1/4-28	5/8	3/8	3/16	18-8	ZTAE10CX14F-188
10-24	3/8	1/4-28	5/8	3/8	3/16	316	ZTAE10CX14F-316
10-24	3/8	3/8-16	5/8	9/16	1/4	18-8	ZTAE10CX38C-188
10-24	3/8	3/8-16	5/8	9/16	1/4	316	ZTAE10CX38C-316
10-24	3/8	3/8-16	5/8	9/16	1/4	Alum	ZTAE10CX38C-AL
10-24	3/8	3/8-16	3/8	9/16	1/4	Stl Blk	ZTAE10CX38CSTL-B
10-24	3/8	5/16-18	5/8	1/2	3/16	18-8	ZTAE10CX51C-188
10-24	3/8	5/16-18	5/8	1/2	3/16	316	ZTAE10CX51C-316
10-24	3/8	5/16-18	5/8	1/2	3/16	Alum	ZTAE10CX51C-AL
10-24	3/8	5/16-32	5/8	1/2	3/16	18-8	ZTAE10CX51EF-188
10-24	3/8	5/16-24	5/8	1/2	3/16	18-8	ZTAE10CX51F-188
10-24	3/8	5/16-24	5/8	1/2	3/16	316	ZTAE10CX51F-316
10-24	3/8	M5 x 0.8	3/8	5/16	1/8	18-8	ZTAE10CXM5C-188
10-24	3/8	M5 x 0.8	3/8	5/16	1/8	316	ZTAE10CXM5C-316
10-24	3/8	M5 x 0.8	3/8	5/16	1/8	Alum	ZTAE10CXM5C-AL
10-24	3/8	M5 x 0.5	3/8	5/16	1/8	18-8	ZTAE10CXM5F-188
10-24	3/8	M6 x 1	1/2	5/16	1/8	18-8	ZTAE10CXM6C-188

# Threaded Adapters

18-8 SS, 316 SS,  
Alum, Steel

## Male-Male Hex Adapters



Male Thread A Side	Male Thd Lth A Side	Male Thread B Side	Male Thd Lth B Side	Hex A/F	Hex Length	Material	Part Number
10-24	3/8	M6 x 1	1/2	5/16	1/8	316	ZTAE10CXM6C-316
10-24	3/8	M6 x 1	1/2	5/16	1/8	Alum	ZTAE10CXM6C-AL
10-24	3/8	M6 x .750	1/2	5/16	1/8	18-8	ZTAE10CXM6F-188
10-24	5/8	M8 x 1.25	1/2	1/2	3/16	18-8	ZTAE10CXM8C-188
10-24	5/8	M8 x 1.25	1/2	1/2	3/16	316	ZTAE10CXM8C-316
10-24	5/8	M8 x 1.25	1/2	1/2	3/16	Alum	ZTAE10CXM8C-AL
10-24	5/8	M8 x 1	1/2	1/2	3/16	18-8	ZTAE10CXM8F-188
10-24	5/8	M8 x 1	1/2	1/2	3/16	316	ZTAE10CXM8F-316
10-32	3/8	1/4-20	5/8	3/8	3/16	316	ZTAE10FX14C-316
10-32	3/8	1/4-32	5/8	3/8	3/16	18-8	ZTAE10FX14EF-188
10-32	3/8	1/4-28	5/8	3/8	3/16	18-8	ZTAE10FX14F-188
10-32	3/8	1/4-28	5/8	3/8	3/16	316	ZTAE10FX14F-316
10-32	3/8	3/8-16	5/8	9/16	1/4	18-8	ZTAE10FX38C-188
10-32	3/8	3/8-16	5/8	9/16	1/4	316	ZTAE10FX38C-316
10-32	3/8	3/8-16	5/8	9/16	1/4	Alum	ZTAE10FX38C-AL
10-32	3/8	5/16-18	5/8	1/2	3/16	316	ZTAE10FX51C-316
10-32	3/8	5/16-32	5/8	1/2	3/16	18-8	ZTAE10FX51EF-188
10-32	3/8	5/16-24	5/8	1/2	3/16	18-8	ZTAE10FX51F-188
10-32	3/8	5/16-24	5/8	1/2	3/16	316	ZTAE10FX51F-316
10-32	3/8	M5 x 0.8	3/8	5/16	1/8	316	ZTAE10FXM5C-316
10-32	3/8	M5 x 0.5	3/8	5/16	1/8	18-8	ZTAE10FXM5F-188
10-32	3/8	M6 x 1	1/2	5/16	1/8	316	ZTAE10FXM6C-316
10-32	3/8	M6 x .750	1/2	5/16	1/8	18-8	ZTAE10FXM6F-188
10-32	3/8	M8 x 1.25	1/2	1/2	3/16	316	ZTAE10FXM8C-316
10-32	3/8	M8 x 1	1/2	1/2	3/16	18-8	ZTAE10FXM8F-188
10-32	3/8	M8 x 1	1/2	1/2	3/16	316	ZTAE10FXM8F-316
1/4-20	5/8	1/2-13	3/4	3/4	3/8	316	ZTAE14CX12C-316
1/4-20	5/8	1/2-13	3/4	3/4	3/8	Alum	ZTAE14CX12C-AL
1/4-20	5/8	1/2-13	3/4	3/4	3/8	Stl Blk	ZTAE14CX12CSTL-B
1/4-20	5/8	1/2-28	3/4	3/4	3/8	18-8	ZTAE14CX12EF-188
1/4-20	5/8	1/2-28	3/4	3/4	3/8	316	ZTAE14CX12EF-316
1/4-20	5/8	1/2-28	3/4	3/4	3/8	Alum	ZTAE14CX12EF-AL
1/4-20	5/8	1/2-20	3/4	3/4	3/8	18-8	ZTAE14CX12F-188
1/4-20	5/8	1/2-20	3/4	3/4	3/8	316	ZTAE14CX12F-316
1/4-20	5/8	1/2-20	3/4	3/4	3/8	Alum	ZTAE14CX12F-AL
1/4-20	5/8	1/4-32	5/8	3/8	3/16	18-8	ZTAE14CX14EF-188
1/4-20	5/8	1/4-32	5/8	3/8	3/16	316	ZTAE14CX14EF-316

## Male-Male Hex Adapters



Male Thread A Side	Male Thd Lth A Side	Male Thread B Side	Male Thd Lth B Side	Hex A/F	Hex Length	Material	Part Number
1/4-20	5/8	1/4-28	5/8	3/8	3/16	316	ZTAE14CX14F-316
1/4-20	5/8	3/8-16	5/8	9/16	1/4	316	ZTAE14CX38C-316
1/4-20	5/8	3/8-16	5/8	9/16	1/4	Alum	ZTAE14CX38C-AL
1/4-20	5/8	3/8-16	5/8	9/16	1/4	Stl Blk	ZTAE14CX38CSTL-B
1/4-20	5/8	3/8-32	5/8	9/16	1/4	18-8	ZTAE14CX38EF-188
1/4-20	5/8	3/8-32	5/8	9/16	1/4	316	ZTAE14CX38EF-316
1/4-20	5/8	3/8-24	5/8	9/16	1/4	18-8	ZTAE14CX38F-188
1/4-20	5/8	3/8-24	5/8	9/16	1/4	316	ZTAE14CX38F-316
1/4-20	5/8	3/8-24	5/8	9/16	1/4	Alum	ZTAE14CX38F-AL
1/4-20	5/8	5/16-18	5/8	1/2	3/16	316	ZTAE14CX51C-316
1/4-20	5/8	5/16-32	5/8	1/2	3/16	18-8	ZTAE14CX51EF-188
1/4-20	5/8	5/16-32	5/8	1/2	3/16	316	ZTAE14CX51EF-316
1/4-20	5/8	5/16-24	5/8	1/2	3/16	18-8	ZTAE14CX51F-188
1/4-20	5/8	5/16-24	5/8	1/2	3/16	316	ZTAE14CX51F-316
1/4-20	5/8	5/16-24	5/8	1/2	3/16	Alum	ZTAE14CX51F-AL
1/4-20	5/8	M10 x 1.5	5/8	9/16	1/4	18-8	ZTAE14CXM10C-188
1/4-20	5/8	M10 x 1.5	5/8	9/16	1/4	316	ZTAE14CXM10C-316
1/4-20	5/8	M10 x 1.5	5/8	9/16	1/4	Alum	ZTAE14CXM10C-AL
1/4-20	5/8	M10 x 1	5/8	9/16	1/4	18-8	ZTAE14CXM10EF-188
1/4-20	5/8	1/2-13	3/4	3/4	3/8	316	ZTAE14CX12C-316
1/4-20	5/8	1/2-13	3/4	3/4	3/8	Alum	ZTAE14CX12C-AL
1/4-20	5/8	1/2-13	3/4	3/4	3/8	Stl Blk	ZTAE14CX12CSTL-B
1/4-20	5/8	1/2-28	3/4	3/4	3/8	18-8	ZTAE14CX12EF-188
1/4-20	5/8	1/2-28	3/4	3/4	3/8	316	ZTAE14CX12EF-316
1/4-20	5/8	1/2-28	3/4	3/4	3/8	Alum	ZTAE14CX12EF-AL
1/4-20	5/8	1/2-20	3/4	3/4	3/8	18-8	ZTAE14CX12F-188
1/4-20	5/8	1/2-20	3/4	3/4	3/8	316	ZTAE14CX12F-316
1/4-20	5/8	1/2-20	3/4	3/4	3/8	Alum	ZTAE14CX12F-AL
1/4-20	5/8	1/4-32	5/8	3/8	3/16	18-8	ZTAE14CX14EF-188
1/4-20	5/8	1/4-32	5/8	3/8	3/16	316	ZTAE14CX14EF-316
1/4-20	5/8	1/4-28	5/8	3/8	3/16	316	ZTAE14CX14F-316
1/4-20	5/8	3/8-16	5/8	9/16	1/4	316	ZTAE14CX38C-316
1/4-20	5/8	3/8-16	5/8	9/16	1/4	Alum	ZTAE14CX38C-AL
1/4-20	5/8	3/8-16	5/8	9/16	1/4	Stl Blk	ZTAE14CX38CSTL-B
1/4-20	5/8	3/8-32	5/8	9/16	1/4	18-8	ZTAE14CX38EF-188
1/4-20	5/8	3/8-32	5/8	9/16	1/4	316	ZTAE14CX38EF-316
1/4-20	5/8	3/8-24	5/8	9/16	1/4	18-8	ZTAE14CX38F-188

# Threaded Adapters

18-8 SS, 316 SS,  
Alum, Steel

## Male-Male Hex Adapters



Male Thread A Side	Male Thd Lth A Side	Male Thread B Side	Male Thd Lth B Side	Hex A/F	Hex Length	Material	Part Number
1/4-20	5/8	3/8-24	5/8	9/16	1/4	316	ZTAE14CX38F-316
1/4-20	5/8	3/8-24	5/8	9/16	1/4	Alum	ZTAE14CX38F-AL
1/4-20	5/8	5/16-18	5/8	1/2	3/16	316	ZTAE14CX51C-316
1/4-20	5/8	5/16-32	5/8	1/2	3/16	18-8	ZTAE14CX51EF-188
1/4-20	5/8	5/16-32	5/8	1/2	3/16	316	ZTAE14CX51EF-316
1/4-20	5/8	5/16-24	5/8	1/2	3/16	18-8	ZTAE14CX51F-188
1/4-20	5/8	5/16-24	5/8	1/2	3/16	316	ZTAE14CX51F-316
1/4-20	5/8	5/16-24	5/8	1/2	3/16	Alum	ZTAE14CX51F-AL
1/4-20	5/8	M10 x 1.5	5/8	9/16	1/4	18-8	ZTAE14CXM10C-188
1/4-20	5/8	M10 x 1.5	5/8	9/16	1/4	316	ZTAE14CXM10C-316
1/4-20	5/8	M10 x 1.5	5/8	9/16	1/4	Alum	ZTAE14CXM10C-AL
1/4-20	5/8	M10 x 1	5/8	9/16	1/4	18-8	ZTAE14CXM10EF-188
1/4-20	5/8	M10 x 1	5/8	9/16	1/4	316	ZTAE14CXM10EF-316
1/4-20	5/8	M10 x 1	5/8	9/16	1/4	Alum	ZTAE14CXM10EF-AL
1/4-20	5/8	M10 x 1.25	5/8	9/16	1/4	18-8	ZTAE14CXM10F-188
1/4-20	5/8	M10 x 1.25	5/8	9/16	1/4	316	ZTAE14CXM10F-316
1/4-20	5/8	M10 x 1.25	5/8	9/16	1/4	Alum	ZTAE14CXM10F-AL
1/4-20	5/8	M12 x 1.75	3/4	3/4	3/8	18-8	ZTAE14CXM12C-188
1/4-20	5/8	M12 x 1.75	3/4	3/4	3/8	316	ZTAE14CXM12C-316
1/4-20	5/8	M12 x 1.75	3/4	3/4	3/8	Alum	ZTAE14CXM12C-AL
1/4-20	5/8	M12 x 1.25	3/4	3/4	3/8	18-8	ZTAE14CXM12EF-188
1/4-20	5/8	M12 x 1.25	3/4	3/4	3/8	316	ZTAE14CXM12EF-316
1/4-20	5/8	M12 x 1.25	3/4	3/4	3/8	Alum	ZTAE14CXM12EF-AL
1/4-20	5/8	M12 x 1.5	3/4	3/4	3/8	18-8	ZTAE14CXM12F-188
1/4-20	5/8	M12 x 1.5	3/4	3/4	3/8	316	ZTAE14CXM12F-316
1/4-20	5/8	M12 x 1.5	3/4	3/4	3/8	Alum	ZTAE14CXM12F-AL
1/4-20	5/8	M5 x 0.8	3/8	3/8	3/16	316	ZTAE14CXM5C-316
1/4-20	5/8	M5 x 0.5	3/8	3/8	3/16	18-8	ZTAE14CXM5F-188
1/4-20	5/8	M5 x 0.5	3/8	3/8	3/16	316	ZTAE14CXM5F-316
1/4-20	5/8	M6 x 1	1/2	3/8	3/16	316	ZTAE14CXM6C-316
1/4-20	5/8	M6 x .750	1/2	3/8	3/16	18-8	ZTAE14CXM6F-188
1/4-20	5/8	M6 x .750	1/2	3/8	3/16	316	ZTAE14CXM6F-316
1/4-20	5/8	M8 x 1.25	1/2	1/2	3/16	316	ZTAE14CXM8C-316
1/4-20	5/8	M8 x 1	1/2	1/2	3/16	18-8	ZTAE14CXM8F-188
1/4-20	5/8	M8 x 1	1/2	1/2	3/16	316	ZTAE14CXM8F-316
1/4-20	5/8	M8 x 1	1/2	1/2	3/16	Alum	ZTAE14CXM8F-AL

## Male-Male Hex Adapters



Male Thread A Side	Male Thd Lth A Side	Male Thread B Side	Male Thd Lth B Side	Hex A/F	Hex Length	Material	Part Number
1/4-28	5/8	1/2-13	3/4	3/4	3/8	18-8	ZTAE14FX12C-188
1/4-28	5/8	1/2-13	3/4	3/4	3/8	316	ZTAE14FX12C-316
1/4-28	5/8	1/2-13	3/4	3/4	3/8	Alum	ZTAE14FX12C-AL
1/4-28	5/8	1/2-28	3/4	3/4	3/8	18-8	ZTAE14FX12EF-188
1/4-28	5/8	1/2-20	3/4	3/4	3/8	18-8	ZTAE14FX12F-188
1/4-28	5/8	1/2-20	3/4	3/4	3/8	316	ZTAE14FX12F-316
1/4-28	5/8	1/2-20	3/4	3/4	3/8	Alum	ZTAE14FX12F-AL
1/4-28	5/8	1/4-32	5/8	3/8	3/16	18-8	ZTAE14FX14EF-188
1/4-28	5/8	3/8-16	5/8	9/16	1/4	18-8	ZTAE14FX38C-188
1/4-28	5/8	3/8-16	5/8	9/16	1/4	316	ZTAE14FX38C-316
1/4-28	5/8	3/8-16	5/8	9/16	1/4	Alum	ZTAE14FX38C-AL
1/4-28	5/8	3/8-32	5/8	9/16	1/4	18-8	ZTAE14FX38EF-188
1/4-28	5/8	3/8-24	5/8	9/16	1/4	18-8	ZTAE14FX38F-188
1/4-28	5/8	3/8-24	5/8	9/16	1/4	316	ZTAE14FX38F-316
1/4-28	5/8	5/16-18	5/8	1/2	3/16	18-8	ZTAE14FX51C-188
1/4-28	5/8	5/16-18	5/8	1/2	3/16	316	ZTAE14FX51C-316
1/4-28	5/8	5/16-18	5/8	1/2	3/16	Alum	ZTAE14FX51C-AL
1/4-28	5/8	5/16-32	5/8	1/2	3/16	18-8	ZTAE14FX51EF-188
1/4-28	5/8	5/16-24	5/8	1/2	3/16	18-8	ZTAE14FX51F-188
1/4-28	5/8	5/16-24	5/8	1/2	3/16	316	ZTAE14FX51F-316
1/4-28	5/8	M10 x 1.5	5/8	9/16	1/4	18-8	ZTAE14FXM10C-188
1/4-28	5/8	M10 x 1.5	5/8	9/16	1/4	316	ZTAE14FXM10C-316
1/4-28	5/8	M10 x 1	5/8	9/16	1/4	18-8	ZTAE14FXM10EF-188
1/4-28	5/8	M10 x 1	5/8	9/16	1/4	316	ZTAE14FXM10EF-316
1/4-28	5/8	M10 x 1.25	5/8	9/16	1/4	18-8	ZTAE14FXM10F-188
1/4-28	5/8	M10 x 1.25	5/8	9/16	1/4	316	ZTAE14FXM10F-316
1/4-28	5/8	M12 x 1.75	3/4	3/4	3/8	18-8	ZTAE14FXM12C-188
1/4-28	5/8	M12 x 1.75	3/4	3/4	3/8	316	ZTAE14FXM12C-316
1/4-28	5/8	M12 x 1.75	3/4	3/4	3/8	Alum	ZTAE14FXM12C-AL
1/4-28	5/8	M12 x 1.25	3/4	3/4	3/8	18-8	ZTAE14FXM12EF-188
1/4-28	5/8	M12 x 1.25	3/4	3/4	3/8	316	ZTAE14FXM12EF-316
1/4-28	5/8	M12 x 1.25	3/4	3/4	3/8	Alum	ZTAE14FXM12EF-AL
1/4-28	5/8	M12 x 1.5	3/4	3/4	3/8	18-8	ZTAE14FXM12F-188
1/4-28	5/8	M12 x 1.5	3/4	3/4	3/8	316	ZTAE14FXM12F-316
1/4-28	5/8	M5 x 0.8	3/8	3/8	3/16	18-8	ZTAE14FXM5C-188
1/4-28	5/8	M5 x 0.8	3/8	3/8	3/16	316	ZTAE14FXM5C-316
1/4-28	5/8	M5 x 0.5	3/8	3/8	3/16	18-8	ZTAE14FXM5F-188

# Threaded Adapters

18-8 SS, 316 SS,  
Alum, Steel

## Male-Male Hex Adapters



Male Thread A Side	Male Thd Lth A Side	Male Thread B Side	Male Thd Lth B Side	Hex A/F	Hex Length	Material	Part Number
1/4-28	5/8	M6 x 1	1/2	3/8	3/16	18-8	ZTAE14FXM6C-188
1/4-28	5/8	M6 x 1	1/2	3/8	3/16	316	ZTAE14FXM6C-316
1/4-28	5/8	M6 x 1	1/2	3/8	3/16	Alum	ZTAE14FXM6C-AL
1/4-28	5/8	M6 x .750	1/2	3/8	3/16	18-8	ZTAE14FXM6F-188
1/4-28	5/8	M8 x 1.25	1/2	1/2	3/16	18-8	ZTAE14FXM8C-188
1/4-28	5/8	M8 x 1.25	1/2	1/2	3/16	316	ZTAE14FXM8C-316
1/4-28	5/8	M8 x 1.25	1/2	1/2	3/16	Alum	ZTAE14FXM8C-AL
1/4-28	5/8	M8 x 1	1/2	1/2	3/16	18-8	ZTAE14FXM8F-188
1/4-28	5/8	M8 x 1	1/2	1/2	3/16	316	ZTAE14FXM8F-316
1/4-32	5/8	1/2-13	3/4	3/4	3/8	18-8	ZTAE14EFX12C-188
1/4-32	5/8	1/2-13	3/4	3/4	3/8	316	ZTAE14EFX12C-316
1/4-32	5/8	1/2-13	3/4	3/4	3/8	Alum	ZTAE14EFX12C-AL
1/4-32	5/8	1/2-28	3/4	3/4	3/8	18-8	ZTAE14EFX12EF-188
1/4-32	5/8	1/2-20	3/4	3/4	3/8	18-8	ZTAE14EFX12F-188
1/4-32	5/8	1/2-20	3/4	3/4	3/8	316	ZTAE14EFX12F-316
1/4-32	5/8	3/8-16	5/8	9/16	1/4	18-8	ZTAE14EFX38C-188
1/4-32	5/8	3/8-16	5/8	9/16	1/4	316	ZTAE14EFX38C-316
1/4-32	5/8	3/8-16	5/8	9/16	1/4	Alum	ZTAE14EFX38C-AL
1/4-32	5/8	3/8-32	5/8	9/16	1/4	18-8	ZTAE14EFX38EF-188
1/4-32	5/8	3/8-24	5/8	9/16	1/4	18-8	ZTAE14EFX38F-188
1/4-32	5/8	5/16-18	5/8	1/2	3/16	18-8	ZTAE14EFX51C-188
1/4-32	5/8	5/16-18	5/8	1/2	3/16	316	ZTAE14EFX51C-316
1/4-32	5/8	5/16-24	5/8	1/2	3/16	18-8	ZTAE14EFX51F-188
1/4-32	5/8	M10 x 1.5	5/8	9/16	1/4	18-8	ZTAE14EFXM10C-188
1/4-32	5/8	M10 x 1.5	5/8	9/16	1/4	316	ZTAE14EFXM10C-316
1/4-32	5/8	M10 x 1.5	5/8	9/16	1/4	Alum	ZTAE14EFXM10C-AL
1/4-32	5/8	M10 x 1	5/8	9/16	1/4	18-8	ZTAE14EFXM10EF-188
1/4-32	5/8	M10 x 1.25	5/8	9/16	1/4	18-8	ZTAE14EFXM10F-188
1/4-32	5/8	M10 x 1.25	5/8	9/16	1/4	316	ZTAE14EFXM10F-316
1/4-32	5/8	M12 x 1.75	3/4	3/4	3/8	18-8	ZTAE14EFXM12C-188
1/4-32	5/8	M12 x 1.75	3/4	3/4	3/8	316	ZTAE14EFXM12C-316
1/4-32	5/8	M12 x 1.25	3/4	3/4	3/8	18-8	ZTAE14EFXM12EF-188
1/4-32	5/8	M12 x 1.25	3/4	3/4	3/8	316	ZTAE14EFXM12EF-316
1/4-32	5/8	M12 x 1.5	3/4	3/4	3/8	18-8	ZTAE14EFXM12F-188
1/4-32	5/8	M5 x 0.8	3/8	3/8	3/16	18-8	ZTAE14EFXM5C-188
1/4-32	5/8	M5 x 0.8	3/8	3/8	3/16	316	ZTAE14EFXM5C-316
1/4-32	5/8	M6 x 1	1/2	3/8	3/16	18-8	ZTAE14EFXM6C-188

## Male-Male Hex Adapters



Male Thread A Side	Male Thd Lth A Side	Male Thread B Side	Male Thd Lth B Side	Hex A/F	Hex Length	Material	Part Number
1/4-32	5/8	M6 x 1	1/2	3/8	3/16	316	ZTAE14EFXM6C-316
1/4-32	5/8	M6 x 1	1/2	3/8	3/16	Alum	ZTAE14EFXM6C-AL
1/4-32	5/8	M6 x .750	1/2	3/8	3/16	18-8	ZTAE14EFXM6F-188
1/4-32	5/8	M8 x 1.25	1/2	1/2	3/16	18-8	ZTAE14EFXM8C-188
1/4-32	5/8	M8 x 1.25	1/2	1/2	3/16	316	ZTAE14EFXM8C-316
1/4-32	5/8	M8 x 1	1/2	1/2	3/16	18-8	ZTAE14EFXM8F-188
3/8-16	5/8	1/2-20	3/4	3/4	3/8	Alum	ZTAE38CX12F-AL
3/8-16	5/8	3/4-10	3/4	1-1/8	11/16	18-8	ZTAE38CX34C-188
3/8-16	5/8	3/4-10	3/4	1-1/8	11/16	316	ZTAE38CX34C-316
3/8-16	5/8	3/4-10	3/4	1-1/8	11/16	Alum	ZTAE38CX34C-AL
3/8-16	5/8	3/4-10	3/4	1-1/8	11/16	Stl Blk	ZTAE38CX34CSTL-B
3/8-16	5/8	3/8-32	5/8	9/16	1/4	18-8	ZTAE38CX38EF-188
3/8-16	5/8	3/8-32	5/8	9/16	1/4	316	ZTAE38CX38EF-316
3/8-16	5/8	3/8-24	5/8	9/16	1/4	316	ZTAE38CX38F-316
3/8-16	5/8	3/8-24	5/8	9/16	1/4	Alum	ZTAE38CX38F-AL
3/8-16	5/8	5/8-11	3/4	15/16	9/16	18-8	ZTAE38CX58C-188
3/8-16	5/8	5/8-11	3/4	15/16	9/16	316	ZTAE38CX58C-316
3/8-16	5/8	5/8-11	3/4	15/16	9/16	Alum	ZTAE38CX58C-AL
3/8-16	5/8	5/8-11	3/4	15/16	9/16	Stl Blk	ZTAE38CX58CSTL-B
3/8-16	5/8	M10 x 1.5	5/8	9/16	1/4	316	ZTAE38CXM10C-316
3/8-16	5/8	M10 x 1.5	5/8	9/16	1/4	Alum	ZTAE38CXM10C-AL
3/8-16	5/8	M10 x 1	5/8	9/16	1/4	18-8	ZTAE38CXM10EF-188
3/8-16	5/8	M10 x 1	5/8	9/16	1/4	316	ZTAE38CXM10EF-316
3/8-16	5/8	M10 x 1	5/8	9/16	1/4	Alum	ZTAE38CXM10EF-AL
3/8-16	5/8	M10 x 1.25	5/8	9/16	1/4	18-8	ZTAE38CXM10F-188
3/8-16	5/8	M10 x 1.25	5/8	9/16	1/4	316	ZTAE38CXM10F-316
3/8-16	5/8	M10 x 1.25	5/8	9/16	1/4	Alum	ZTAE38CXM10F-AL
3/8-16	5/8	M12 x 1.75	3/4	3/4	3/8	316	ZTAE38CXM12C-316
3/8-16	5/8	M12 x 1.75	3/4	3/4	3/8	Alum	ZTAE38CXM12C-AL
3/8-16	5/8	M12 x 1.25	3/4	3/4	3/8	18-8	ZTAE38CXM12EF-188
3/8-16	5/8	M12 x 1.25	3/4	3/4	3/8	316	ZTAE38CXM12EF-316
3/8-16	5/8	M12 x 1.25	3/4	3/4	3/8	Alum	ZTAE38CXM12EF-AL
3/8-16	5/8	M12 x 1.5	3/4	3/4	3/8	18-8	ZTAE38CXM12F-188
3/8-16	5/8	M12 x 1.5	3/4	3/4	3/8	316	ZTAE38CXM12F-316
3/8-16	5/8	M12 x 1.5	3/4	3/4	3/8	Alum	ZTAE38CXM12F-AL
3/8-16	5/8	M6 x 1	1/2	9/16	1/4	18-8	ZTAE38CXM6C-188
3/8-16	5/8	M6 x 1	1/2	9/16	1/4	316	ZTAE38CXM6C-316

# Threaded Adapters

18-8 SS, 316 SS,  
Alum, Steel

## Male-Male Hex Adapters



Male Thread A Side	Male Thd Lth A Side	Male Thread B Side	Male Thd Lth B Side	Hex A/F	Hex Length	Material	Part Number
3/8-16	5/8	M6 x 1	1/2	9/16	1/4	Alum	ZTAE38CXM6C-AL
3/8-16	5/8	M6 x .750	1/2	9/16	1/4	18-8	ZTAE38CXM6F-188
3/8-16	5/8	M6 x .750	1/2	9/16	1/4	316	ZTAE38CXM6F-316
3/8-16	5/8	M8 x 1.25	1/2	9/16	1/4	18-8	ZTAE38CXM8C-188
3/8-16	5/8	M8 x 1.25	1/2	9/16	1/4	316	ZTAE38CXM8C-316
3/8-16	5/8	M8 x 1.25	1/2	9/16	1/4	Alum	ZTAE38CXM8C-AL
3/8-16	5/8	M8 x 1	1/2	9/16	1/4	18-8	ZTAE38CXM8F-188
3/8-16	5/8	M8 x 1	1/2	9/16	1/4	316	ZTAE38CXM8F-316
3/8-16	5/8	M8 x 1	1/2	9/16	1/4	Alum	ZTAE38CXM8F-AL
3/8-24	5/8	1/2-13	3/4	3/4	3/8	18-8	ZTAE38FX12C-188
3/8-24	5/8	1/2-13	3/4	3/4	3/8	316	ZTAE38FX12C-316
3/8-24	5/8	1/2-13	3/4	3/4	3/8	Alum	ZTAE38FX12C-AL
3/8-24	5/8	1/2-28	3/4	3/4	3/8	18-8	ZTAE38FX12EF-188
3/8-24	5/8	1/2-28	3/4	3/4	3/8	316	ZTAE38FX12EF-316
3/8-24	5/8	1/2-20	3/4	3/4	3/8	18-8	ZTAE38FX12F-188
3/8-24	5/8	1/2-20	3/4	3/4	3/8	316	ZTAE38FX12F-316
3/8-24	5/8	1/2-20	3/4	3/4	3/8	Alum	ZTAE38FX12F-AL
3/8-24	5/8	3/8-32	5/8	9/16	1/4	18-8	ZTAE38FX38EF-188
3/8-24	5/8	M10 x 1.5	5/8	9/16	1/4	18-8	ZTAE38FXM10C-188
3/8-24	5/8	M10 x 1.5	5/8	9/16	1/4	316	ZTAE38FXM10C-316
3/8-24	5/8	M10 x 1.5	5/8	9/16	1/4	Alum	ZTAE38FXM10C-AL
3/8-24	5/8	M10 x 1	5/8	9/16	1/4	18-8	ZTAE38FXM10EF-188
3/8-24	5/8	M10 x 1	5/8	9/16	1/4	316	ZTAE38FXM10EF-316
3/8-24	5/8	M10 x 1.25	5/8	9/16	1/4	18-8	ZTAE38FXM10F-188
3/8-24	5/8	M10 x 1.25	5/8	9/16	1/4	316	ZTAE38FXM10F-316
3/8-24	5/8	M12 x 1.75	3/4	3/4	3/8	18-8	ZTAE38FXM12C-188
3/8-24	5/8	M12 x 1.75	3/4	3/4	3/8	316	ZTAE38FXM12C-316
3/8-24	5/8	M12 x 1.75	3/4	3/4	3/8	Alum	ZTAE38FXM12C-AL
3/8-24	5/8	M12 x 1.25	3/4	3/4	3/8	18-8	ZTAE38FXM12EF-188
3/8-24	5/8	M12 x 1.25	3/4	3/4	3/8	316	ZTAE38FXM12EF-316
3/8-24	5/8	M12 x 1.25	3/4	3/4	3/8	Alum	ZTAE38FXM12EF-AL
3/8-24	5/8	M12 x 1.5	3/4	3/4	3/8	18-8	ZTAE38FXM12F-188
3/8-24	5/8	M12 x 1.5	3/4	3/4	3/8	316	ZTAE38FXM12F-316
3/8-24	5/8	M6 x 1	1/2	9/16	1/4	18-8	ZTAE38FXM6C-188
3/8-24	5/8	M6 x 1	1/2	9/16	1/4	316	ZTAE38FXM6C-316
3/8-24	5/8	M6 x 1	1/2	9/16	1/4	Alum	ZTAE38FXM6C-AL
3/8-24	5/8	M6 x .750	1/2	9/16	1/4	18-8	ZTAE38FXM6F-188

## Male-Male Hex Adapters



Male Thread A Side	Male Thd Lth A Side	Male Thread B Side	Male Thd Lth B Side	Hex A/F	Hex Length	Material	Part Number
3/8-24	5/8	M8 x 1.25	1/2	9/16	1/4	18-8	ZTAE38FXM8C-188
3/8-24	5/8	M8 x 1.25	1/2	9/16	1/4	316	ZTAE38FXM8C-316
3/8-24	5/8	M8 x 1.25	1/2	9/16	1/4	Alum	ZTAE38FXM8C-AL
3/8-24	5/8	M8 x 1	1/2	9/16	1/4	18-8	ZTAE38FXM8F-188
3/8-24	5/8	M8 x 1	1/2	9/16	1/4	316	ZTAE38FXM8F-316
3/8-32	5/8	1/2-13	3/4	3/4	3/8	18-8	ZTAE38EFX12C-188
3/8-32	5/8	1/2-13	3/4	3/4	3/8	316	ZTAE38EFX12C-316
3/8-32	5/8	1/2-13	3/4	3/4	3/8	Alum	ZTAE38EFX12C-AL
3/8-32	5/8	1/2-28	3/4	3/4	3/8	18-8	ZTAE38EFX12EF-188
3/8-32	5/8	1/2-20	3/4	3/4	3/8	18-8	ZTAE38EFX12F-188
3/8-32	5/8	1/2-20	3/4	3/4	3/8	316	ZTAE38EFX12F-316
3/8-32	5/8	1/2-20	3/4	3/4	3/8	Alum	ZTAE38EFX12F-AL
3/8-32	5/8	M10 x 1.5	5/8	9/16	1/4	18-8	ZTAE38EFXM10C-188
3/8-32	5/8	M10 x 1.5	5/8	9/16	1/4	316	ZTAE38EFXM10C-316
3/8-32	5/8	M10 x 1.5	5/8	9/16	1/4	Alum	ZTAE38EFXM10C-AL
3/8-32	5/8	M10 x 1	5/8	9/16	1/4	18-8	ZTAE38EFXM10EF-188
3/8-32	5/8	M10 x 1	5/8	9/16	1/4	316	ZTAE38EFXM10EF-316
3/8-32	5/8	M10 x 1.25	5/8	9/16	1/4	18-8	ZTAE38EFXM10F-188
3/8-32	5/8	M10 x 1.25	5/8	9/16	1/4	316	ZTAE38EFXM10F-316
3/8-32	5/8	M10 x 1.25	5/8	9/16	1/4	Alum	ZTAE38EFXM10F-AL
3/8-32	5/8	M12 x 1.75	3/4	3/4	3/8	18-8	ZTAE38EFXM12C-188
3/8-32	5/8	M12 x 1.75	3/4	3/4	3/8	316	ZTAE38EFXM12C-316
3/8-32	5/8	M12 x 1.75	3/4	3/4	3/8	Alum	ZTAE38EFXM12C-AL
3/8-32	5/8	M12 x 1.25	3/4	3/4	3/8	18-8	ZTAE38EFXM12EF-188
3/8-32	5/8	M12 x 1.25	3/4	3/4	3/8	316	ZTAE38EFXM12EF-316
3/8-32	5/8	M12 x 1.5	3/4	3/4	3/8	18-8	ZTAE38EFXM12F-188
3/8-32	5/8	M12 x 1.5	3/4	3/4	3/8	316	ZTAE38EFXM12F-316
3/8-32	5/8	M6 x 1	1/2	9/16	1/4	18-8	ZTAE38EFXM6C-188
3/8-32	5/8	M6 x 1	1/2	9/16	1/4	316	ZTAE38EFXM6C-316
3/8-32	5/8	M6 x 1	1/2	9/16	1/4	Alum	ZTAE38EFXM6C-AL
3/8-32	5/8	M6 x .750	1/2	9/16	1/4	18-8	ZTAE38EFXM6F-188
3/8-32	5/8	M8 x 1.25	1/2	9/16	1/4	18-8	ZTAE38EFXM8C-188
3/8-32	5/8	M8 x 1.25	1/2	9/16	1/4	316	ZTAE38EFXM8C-316
3/8-32	5/8	M8 x 1.25	1/2	9/16	1/4	Alum	ZTAE38EFXM8C-AL
3/8-32	5/8	M8 x 1	1/2	9/16	1/4	18-8	ZTAE38EFXM8F-188
3/8-32	5/8	M8 x 1	1/2	9/16	1/4	316	ZTAE38EFXM8F-316

# Threaded Adapters

18-8 SS, 316 SS,  
Alum, Steel

## Male-Male Hex Adapters



Male Thread A Side	Male Thd Lth A Side	Male Thread B Side	Male Thd Lth B Side	Hex A/F	Hex Length	Material	Part Number
5/16-18	5/8	1/2-13	3/4	3/4	3/8	18-8	ZTAE51CX12C-188
5/16-18	5/8	1/2-13	3/4	3/4	3/8	316	ZTAE51CX12C-316
5/16-18	5/8	1/2-13	3/4	3/4	3/8	Alum	ZTAE51CX12C-AL
5/16-18	5/8	1/2-28	3/4	3/4	3/8	18-8	ZTAE51CX12EF-188
5/16-18	5/8	1/2-28	3/4	3/4	3/8	316	ZTAE51CX12EF-316
5/16-18	5/8	1/2-20	3/4	3/4	3/8	18-8	ZTAE51CX12F-188
5/16-18	5/8	1/2-20	3/4	3/4	3/8	316	ZTAE51CX12F-316
5/16-18	5/8	1/2-20	3/4	3/4	3/8	Alum	ZTAE51CX12F-AL
5/16-18	5/8	3/8-16	5/8	9/16	1/4	316	ZTAE51CX38C-316
5/16-18	5/8	3/8-16	5/8	9/16	1/4	Alum	ZTAE51CX38C-AL
5/16-18	5/8	3/8-16	5/8	9/16	1/4	Stl Blk	ZTAE51CX38CSTL-B
5/16-18	5/8	3/8-32	5/8	9/16	1/4	18-8	ZTAE51CX38EF-188
5/16-18	5/8	3/8-32	5/8	9/16	1/4	316	ZTAE51CX38EF-316
5/16-18	5/8	3/8-24	5/8	9/16	1/4	18-8	ZTAE51CX38F-188
5/16-18	5/8	3/8-24	5/8	9/16	1/4	316	ZTAE51CX38F-316
5/16-18	5/8	5/16-32	5/8	1/2	3/16	18-8	ZTAE51CX51EF-188
5/16-18	5/8	5/16-24	5/8	1/2	3/16	316	ZTAE51CX51F-316
5/16-18	5/8	5/8-11	3/4	15/16	9/16	18-8	ZTAE51CX58C-188
5/16-18	5/8	5/8-11	3/4	15/16	9/16	316	ZTAE51CX58C-316
5/16-18	5/8	5/8-11	3/4	15/16	9/16	Alum	ZTAE51CX58C-AL
5/16-18	5/8	5/8-11	3/4	15/16	9/16	Stl Blk	ZTAE51CX58CSTL-B
5/16-18	5/8	M10 x 1.5	5/8	1/2	3/16	316	ZTAE51CXM10C-316
5/16-18	5/8	M10 x 1.5	5/8	1/2	3/16	Alum	ZTAE51CXM10C-AL
5/16-18	5/8	M10 x 1	5/8	1/2	3/16	18-8	ZTAE51CXM10EF-188
5/16-18	5/8	M10 x 1	5/8	1/2	3/16	316	ZTAE51CXM10EF-316
5/16-18	5/8	M10 x 1.25	5/8	1/2	3/16	18-8	ZTAE51CXM10F-188
5/16-18	5/8	M10 x 1.25	5/8	1/2	3/16	316	ZTAE51CXM10F-316
5/16-18	5/8	M10 x 1.25	5/8	1/2	3/16	Alum	ZTAE51CXM10F-AL
5/16-18	5/8	M12 x 1.75	3/4	3/4	3/8	18-8	ZTAE51CXM12C-188
5/16-18	5/8	M12 x 1.75	3/4	3/4	3/8	316	ZTAE51CXM12C-316
5/16-18	5/8	M12 x 1.75	3/4	3/4	3/8	Alum	ZTAE51CXM12C-AL
5/16-18	5/8	M12 x 1.25	3/4	3/4	3/8	18-8	ZTAE51CXM12EF-188
5/16-18	5/8	M12 x 1.25	3/4	3/4	3/8	316	ZTAE51CXM12EF-316
5/16-18	5/8	M12 x 1.25	3/4	3/4	3/8	Alum	ZTAE51CXM12EF-AL
5/16-18	5/8	M12 x 1.5	3/4	3/4	3/8	18-8	ZTAE51CXM12F-188
5/16-18	5/8	M12 x 1.5	3/4	3/4	3/8	316	ZTAE51CXM12F-316
5/16-18	5/8	M12 x 1.5	3/4	3/4	3/8	Alum	ZTAE51CXM12F-AL

## Male-Male Hex Adapters



Male Thread A Side	Male Thd Lth A Side	Male Thread B Side	Male Thd Lth B Side	Hex A/F	Hex Length	Material	Part Number
5/16-18	5/8	M5 x 0.8	3/8	1/2	3/16	316	ZTAE51CXM5C-316
5/16-18	5/8	M5 x 0.5	3/8	1/2	3/16	18-8	ZTAE51CXM5F-188
5/16-18	5/8	M6 x 1	1/2	1/2	3/16	316	ZTAE51CXM6C-316
5/16-18	5/8	M6 x .750	1/2	1/2	3/16	18-8	ZTAE51CXM6F-188
5/16-18	5/8	M8 x 1.25	1/2	1/2	3/16	316	ZTAE51CXM8C-316
5/16-18	5/8	M8 x 1	1/2	1/2	3/16	18-8	ZTAE51CXM8F-188
5/16-18	5/8	M8 x 1	1/2	1/2	3/16	316	ZTAE51CXM8F-316
5/16-24	5/8	1/2-13	3/4	3/4	3/8	18-8	ZTAE51FX12C-188
5/16-24	5/8	1/2-13	3/4	3/4	3/8	316	ZTAE51FX12C-316
5/16-24	5/8	1/2-13	3/4	3/4	3/8	Alum	ZTAE51FX12C-AL
5/16-24	5/8	1/2-28	3/4	3/4	3/8	18-8	ZTAE51FX12EF-188
5/16-24	5/8	1/2-20	3/4	3/4	3/8	18-8	ZTAE51FX12F-188
5/16-24	5/8	1/2-20	3/4	3/4	3/8	316	ZTAE51FX12F-316
5/16-24	5/8	1/2-20	3/4	3/4	3/8	Alum	ZTAE51FX12F-AL
5/16-24	5/8	3/8-16	5/8	9/16	1/4	18-8	ZTAE51FX38C-188
5/16-24	5/8	3/8-16	5/8	9/16	1/4	316	ZTAE51FX38C-316
5/16-24	5/8	3/8-16	5/8	9/16	1/4	Alum	ZTAE51FX38C-AL
5/16-24	5/8	3/8-32	5/8	9/16	1/4	18-8	ZTAE51FX38EF-188
5/16-24	5/8	3/8-24	5/8	9/16	1/4	18-8	ZTAE51FX38F-188
5/16-24	5/8	3/8-24	5/8	9/16	1/4	316	ZTAE51FX38F-316
5/16-24	5/8	5/16-32	5/8	1/2	3/16	18-8	ZTAE51FX51EF-188
5/16-24	5/8	M10 x 1.5	5/8	9/16	1/4	18-8	ZTAE51FXM10C-188
5/16-24	5/8	M10 x 1.5	5/8	9/16	1/4	316	ZTAE51FXM10C-316
5/16-24	5/8	M10 x 1	5/8	9/16	1/4	18-8	ZTAE51FXM10EF-188
5/16-24	5/8	M10 x 1	5/8	9/16	1/4	316	ZTAE51FXM10EF-316
5/16-24	5/8	M10 x 1.25	5/8	9/16	1/4	18-8	ZTAE51FXM10F-188
5/16-24	5/8	M10 x 1.25	5/8	9/16	1/4	316	ZTAE51FXM10F-316
5/16-24	5/8	M12 x 1.75	3/4	3/4	3/8	18-8	ZTAE51FXM12C-188
5/16-24	5/8	M12 x 1.75	3/4	3/4	3/8	316	ZTAE51FXM12C-316
5/16-24	5/8	M12 x 1.75	3/4	3/4	3/8	Alum	ZTAE51FXM12C-AL
5/16-24	5/8	M12 x 1.25	3/4	3/4	3/8	18-8	ZTAE51FXM12EF-188
5/16-24	5/8	M12 x 1.25	3/4	3/4	3/8	316	ZTAE51FXM12EF-316
5/16-24	5/8	M12 x 1.25	3/4	3/4	3/8	Alum	ZTAE51FXM12EF-AL
5/16-24	5/8	M12 x 1.5	3/4	3/4	3/8	18-8	ZTAE51FXM12F-188
5/16-24	5/8	M12 x 1.5	3/4	3/4	3/8	316	ZTAE51FXM12F-316
5/16-24	5/8	M5 x 0.8	3/8	1/2	3/16	18-8	ZTAE51FXM5C-188
5/16-24	5/8	M5 x 0.8	3/8	1/2	3/16	316	ZTAE51FXM5C-316
5/16-24	5/8	M5 x 0.5	3/8	1/2	3/16	18-8	ZTAE51FXM5F-188

# Threaded Adapters

18-8 SS, 316 SS,  
Alum, Steel

## Male-Male Hex Adapters



Male Thread A Side	Male Thd Lth A Side	Male Thread B Side	Male Thd Lth B Side	Hex A/F	Hex Length	Material	Part Number
5/16-24	5/8	M6 x 1	1/2	1/2	3/16	18-8	ZTAE51FXM6C-188
5/16-24	5/8	M6 x 1	1/2	1/2	3/16	316	ZTAE51FXM6C-316
5/16-24	5/8	M6 x 1	1/2	1/2	3/16	Alum	ZTAE51FXM6C-AL
5/16-24	5/8	M6 x .750	1/2	1/2	3/16	18-8	ZTAE51FXM6F-188
5/16-24	5/8	M8 x 1.25	1/2	1/2	3/16	18-8	ZTAE51FXM8C-188
5/16-24	5/8	M8 x 1.25	1/2	1/2	3/16	316	ZTAE51FXM8C-316
5/16-24	5/8	M8 x 1.25	1/2	1/2	3/16	Alum	ZTAE51FXM8C-AL
5/16-24	5/8	M8 x 1	1/2	1/2	3/16	18-8	ZTAE51FXM8F-188
5/16-24	5/8	M8 x 1	1/2	1/2	3/16	316	ZTAE51FXM8F-316
5/16-32	5/8	1/2-13	3/4	3/4	3/8	18-8	ZTAE51EFX12C-188
5/16-32	5/8	1/2-13	3/4	3/4	3/8	316	ZTAE51EFX12C-316
5/16-32	5/8	1/2-13	3/4	3/4	3/8	Alum	ZTAE51EFX12C-AL
5/16-32	5/8	1/2-28	3/4	3/4	3/8	18-8	ZTAE51EFX12EF-188
5/16-32	5/8	1/2-20	3/4	3/4	3/8	18-8	ZTAE51EFX12F-188
5/16-32	5/8	1/2-20	3/4	3/4	3/8	316	ZTAE51EFX12F-316
5/16-32	5/8	3/8-16	5/8	9/16	1/4	18-8	ZTAE51EFX38C-188
5/16-32	5/8	3/8-16	5/8	9/16	1/4	316	ZTAE51EFX38C-316
5/16-32	5/8	3/8-16	5/8	9/16	1/4	Alum	ZTAE51EFX38C-AL
5/16-32	5/8	3/8-32	5/8	9/16	1/4	18-8	ZTAE51EFX38EF-188
5/16-32	5/8	3/8-24	5/8	9/16	1/4	18-8	ZTAE51EFX38F-188
5/16-32	5/8	M10 x 1.5	5/8	9/16	1/4	18-8	ZTAE51EFXM10C-188
5/16-32	5/8	M10 x 1.5	5/8	9/16	1/4	316	ZTAE51EFXM10C-316
5/16-32	5/8	M10 x 1.5	5/8	9/16	1/4	Alum	ZTAE51EFXM10C-AL
5/16-32	5/8	M10 x 1	5/8	9/16	1/4	18-8	ZTAE51EFXM10EF-188
5/16-32	5/8	M10 x 1.25	5/8	9/16	1/4	18-8	ZTAE51EFXM10F-188
5/16-32	5/8	M10 x 1.25	5/8	9/16	1/4	316	ZTAE51EFXM10F-316
5/16-32	5/8	M12 x 1.75	3/4	3/4	3/8	18-8	ZTAE51EFXM12C-188
5/16-32	5/8	M12 x 1.75	3/4	3/4	3/8	316	ZTAE51EFXM12C-316
5/16-32	5/8	M12 x 1.25	3/4	3/4	3/8	18-8	ZTAE51EFXM12EF-188
5/16-32	5/8	M12 x 1.25	3/4	3/4	3/8	316	ZTAE51EFXM12EF-316
5/16-32	5/8	M12 x 1.5	3/4	3/4	3/8	18-8	ZTAE51EFXM12F-188
5/16-32	5/8	M5 x 0.8	3/8	1/2	3/16	18-8	ZTAE51EFXM5C-188
5/16-32	5/8	M5 x 0.8	3/8	1/2	3/16	316	ZTAE51EFXM5C-316
5/16-32	5/8	M5 x 0.8	3/8	1/2	3/16	Alum	ZTAE51EFXM5C-AL
5/16-32	5/8	M5 x 0.5	3/8	1/2	3/16	18-8	ZTAE51EFXM5F-188
5/16-32	5/8	M6 x 1	1/2	1/2	3/16	18-8	ZTAE51EFXM6C-188
5/16-32	5/8	M6 x 1	1/2	1/2	3/16	316	ZTAE51EFXM6C-316

## Male-Male Hex Adapters



Male Thread A Side	Male Thd Lth A Side	Male Thread B Side	Male Thd Lth B Side	Hex A/F	Hex Length	Material	Part Number
5/16-32	5/8	M6 x 1	1/2	1/2	3/16	Alum	ZTAE51EFXM6C-AL
5/16-32	5/8	M6 x .750	1/2	1/2	3/16	18-8	ZTAE51EFXM6F-188
5/16-32	5/8	M8 x 1.25	1/2	1/2	3/16	18-8	ZTAE51EFXM8C-188
5/16-32	5/8	M8 x 1.25	1/2	1/2	3/16	316	ZTAE51EFXM8C-316
5/16-32	5/8	M8 x 1.25	1/2	1/2	3/16	Alum	ZTAE51EFXM8C-AL
5/16-32	5/8	M8 x 1	1/2	1/2	3/16	18-8	ZTAE51EFXM8F-188
5/16-32	5/8	M8 x 1	1/2	1/2	3/16	316	ZTAE51EFXM8F-316
3/8-16	5/8	1/2-13	3/4	3/4	3/8	316	ZTAE38CX12C-316
3/8-16	5/8	1/2-13	3/4	3/4	3/8	Alum	ZTAE38CX12C-AL
3/8-16	5/8	1/2-13	3/4	3/4	3/8	Stl Blk	ZTAE38CX12CSTL-B
3/8-16	5/8	1/2-28	3/4	3/4	3/8	18-8	ZTAE38CX12EF-188
3/8-16	5/8	1/2-28	3/4	3/4	3/8	316	ZTAE38CX12EF-316
3/8-16	5/8	1/2-28	3/4	3/4	3/8	Alum	ZTAE38CX12EF-AL
3/8-16	5/8	1/2-20	3/4	3/4	3/8	18-8	ZTAE38CX12F-188
3/8-16	5/8	1/2-20	3/4	3/4	3/8	316	ZTAE38CX12F-316
3/8-16	5/8	1/2-13	3/4	3/4	3/8	Alum	ZTAE38CX12C-AL
3/8-16	5/8	1/2-13	3/4	3/4	3/8	Stl Blk	ZTAE38CX12CSTL-B
3/8-16	5/8	1/2-28	3/4	3/4	3/8	18-8	ZTAE38CX12EF-188
3/8-16	5/8	1/2-28	3/4	3/4	3/8	316	ZTAE38CX12EF-316
3/8-16	5/8	1/2-28	3/4	3/4	3/8	Alum	ZTAE38CX12EF-AL
3/8-16	5/8	1/2-20	3/4	3/4	3/8	18-8	ZTAE38CX12F-188
3/8-16	5/8	1/2-20	3/4	3/4	3/8	316	ZTAE38CX12F-316
3/8-16	5/8	1/2-20	3/4	3/4	3/8	Alum	ZTAE38CX12F-AL
3/8-16	5/8	3/4-10	3/4	1-1/8	11/16	18-8	ZTAE38CX34C-188
3/8-16	5/8	3/4-10	3/4	1-1/8	11/16	316	ZTAE38CX34C-316
3/8-16	5/8	3/4-10	3/4	1-1/8	11/16	Alum	ZTAE38CX34C-AL
3/8-16	5/8	3/4-10	3/4	1-1/8	11/16	Stl Blk	ZTAE38CX34CSTL-B
3/8-16	5/8	3/8-32	5/8	9/16	1/4	18-8	ZTAE38CX38EF-188
3/8-16	5/8	3/8-32	5/8	9/16	1/4	316	ZTAE38CX38EF-316
3/8-16	5/8	3/8-24	5/8	9/16	1/4	316	ZTAE38CX38F-316
3/8-16	5/8	3/8-24	5/8	9/16	1/4	Alum	ZTAE38CX38F-AL
3/8-16	5/8	5/8-11	3/4	15/16	9/16	18-8	ZTAE38CX58C-188
3/8-16	5/8	5/8-11	3/4	15/16	9/16	316	ZTAE38CX58C-316
3/8-16	5/8	5/8-11	3/4	15/16	9/16	Alum	ZTAE38CX58C-AL
3/8-16	5/8	5/8-11	3/4	15/16	9/16	Stl Blk	ZTAE38CX58CSTL-B
3/8-16	5/8	M10 x 1.5	5/8	9/16	1/4	316	ZTAE38CXM10C-316
3/8-16	5/8	M10 x 1.5	5/8	9/16	1/4	Alum	ZTAE38CXM10C-AL

# Threaded Adapters

18-8 SS, 316 SS,  
Alum, Steel

## Male-Male Hex Adapters



Male Thread A Side	Male Thd Lth A Side	Male Thread B Side	Male Thd Lth B Side	Hex A/F	Hex Length	Material	Part Number
3/8-16	5/8	M10 x 1	5/8	9/16	1/4	18-8	ZTAE38CXM10EF-188
3/8-16	5/8	M10 x 1	5/8	9/16	1/4	316	ZTAE38CXM10EF-316
3/8-16	5/8	M10 x 1	5/8	9/16	1/4	Alum	ZTAE38CXM10EF-AL
3/8-16	5/8	M10 x 1.25	5/8	9/16	1/4	18-8	ZTAE38CXM10F-188
3/8-16	5/8	M10 x 1.25	5/8	9/16	1/4	316	ZTAE38CXM10F-316
3/8-16	5/8	M10 x 1.25	5/8	9/16	1/4	Alum	ZTAE38CXM10F-AL
3/8-16	5/8	M12 x 1.75	3/4	3/4	3/8	316	ZTAE38CXM12C-316
3/8-16	5/8	M12 x 1.75	3/4	3/4	3/8	Alum	ZTAE38CXM12C-AL
3/8-16	5/8	M12 x 1.25	3/4	3/4	3/8	18-8	ZTAE38CXM12EF-188
3/8-16	5/8	M12 x 1.25	3/4	3/4	3/8	316	ZTAE38CXM12EF-316
3/8-16	5/8	M12 x 1.25	3/4	3/4	3/8	Alum	ZTAE38CXM12EF-AL
3/8-16	5/8	M12 x 1.5	3/4	3/4	3/8	18-8	ZTAE38CXM12F-188
3/8-16	5/8	M12 x 1.5	3/4	3/4	3/8	316	ZTAE38CXM12F-316
3/8-16	5/8	M12 x 1.5	3/4	3/4	3/8	Alum	ZTAE38CXM12F-AL
3/8-16	5/8	M6 x 1	1/2	9/16	1/4	18-8	ZTAE38CXM6C-188
3/8-16	5/8	M6 x 1	1/2	9/16	1/4	316	ZTAE38CXM6C-316
3/8-16	5/8	M6 x 1	1/2	9/16	1/4	Alum	ZTAE38CXM6C-AL
3/8-16	5/8	M6 x .750	1/2	9/16	1/4	18-8	ZTAE38CXM6F-188
3/8-16	5/8	M6 x .750	1/2	9/16	1/4	316	ZTAE38CXM6F-316
3/8-16	5/8	M8 x 1.25	1/2	9/16	1/4	18-8	ZTAE38CXM8C-188
3/8-16	5/8	M8 x 1.25	1/2	9/16	1/4	316	ZTAE38CXM8C-316
3/8-16	5/8	M8 x 1.25	1/2	9/16	1/4	Alum	ZTAE38CXM8C-AL
3/8-16	5/8	M8 x 1	1/2	9/16	1/4	18-8	ZTAE38CXM8F-188
3/8-16	5/8	M8 x 1	1/2	9/16	1/4	316	ZTAE38CXM8F-316
3/8-16	5/8	M8 x 1	1/2	9/16	1/4	Alum	ZTAE38CXM8F-AL
3/8-24	5/8	1/2-13	3/4	3/4	3/8	18-8	ZTAE38FX12C-188
3/8-24	5/8	1/2-13	3/4	3/4	3/8	316	ZTAE38FX12C-316
3/8-24	5/8	1/2-13	3/4	3/4	3/8	Alum	ZTAE38FX12C-AL
3/8-24	5/8	1/2-28	3/4	3/4	3/8	18-8	ZTAE38FX12EF-188
3/8-24	5/8	1/2-28	3/4	3/4	3/8	316	ZTAE38FX12EF-316
3/8-24	5/8	1/2-20	3/4	3/4	3/8	18-8	ZTAE38FX12F-188
3/8-24	5/8	1/2-20	3/4	3/4	3/8	316	ZTAE38FX12F-316
3/8-24	5/8	1/2-20	3/4	3/4	3/8	Alum	ZTAE38FX12F-AL
3/8-24	5/8	3/8-32	5/8	9/16	1/4	18-8	ZTAE38FX38EF-188
3/8-24	5/8	M10 x 1.5	5/8	9/16	1/4	18-8	ZTAE38FXM10C-188
3/8-24	5/8	M10 x 1.5	5/8	9/16	1/4	316	ZTAE38FXM10C-316

## Male-Male Hex Adapters



Male Thread A Side	Male Thd Lth A Side	Male Thread B Side	Male Thd Lth B Side	Hex A/F	Hex Length	Material	Part Number
3/8-24	5/8	M10 x 1.5	5/8	9/16	1/4	Alum	ZTAE38FXM10C-AL
3/8-24	5/8	M10 x 1	5/8	9/16	1/4	18-8	ZTAE38FXM10EF-188
3/8-24	5/8	M10 x 1	5/8	9/16	1/4	316	ZTAE38FXM10EF-316
3/8-24	5/8	M10 x 1.25	5/8	9/16	1/4	18-8	ZTAE38FXM10F-188
3/8-24	5/8	M10 x 1.25	5/8	9/16	1/4	316	ZTAE38FXM10F-316
3/8-24	5/8	M12 x 1.75	3/4	3/4	3/8	18-8	ZTAE38FXM12C-188
3/8-24	5/8	M12 x 1.75	3/4	3/4	3/8	316	ZTAE38FXM12C-316
3/8-24	5/8	M12 x 1.75	3/4	3/4	3/8	Alum	ZTAE38FXM12C-AL
3/8-24	5/8	M12 x 1.25	3/4	3/4	3/8	18-8	ZTAE38FXM12EF-188
3/8-24	5/8	M12 x 1.25	3/4	3/4	3/8	316	ZTAE38FXM12EF-316
3/8-24	5/8	M12 x 1.25	3/4	3/4	3/8	Alum	ZTAE38FXM12EF-AL
3/8-24	5/8	M12 x 1.5	3/4	3/4	3/8	18-8	ZTAE38FXM12F-188
3/8-24	5/8	M12 x 1.5	3/4	3/4	3/8	316	ZTAE38FXM12F-316
3/8-24	5/8	M6 x 1	1/2	9/16	1/4	18-8	ZTAE38FXM6C-188
3/8-24	5/8	M6 x 1	1/2	9/16	1/4	316	ZTAE38FXM6C-316
3/8-24	5/8	M6 x 1	1/2	9/16	1/4	Alum	ZTAE38FXM6C-AL
3/8-24	5/8	M6 x .750	1/2	9/16	1/4	18-8	ZTAE38FXM6F-188
3/8-24	5/8	M8 x 1.25	1/2	9/16	1/4	18-8	ZTAE38FXM8C-188
3/8-24	5/8	M8 x 1.25	1/2	9/16	1/4	316	ZTAE38FXM8C-316
3/8-24	5/8	M8 x 1.25	1/2	9/16	1/4	Alum	ZTAE38FXM8C-AL
3/8-24	5/8	M8 x 1	1/2	9/16	1/4	18-8	ZTAE38FXM8F-188
3/8-24	5/8	M8 x 1	1/2	9/16	1/4	316	ZTAE38FXM8F-316
3/8-32	5/8	1/2-13	3/4	3/4	3/8	18-8	ZTAE38EFX12C-188
3/8-32	5/8	1/2-13	3/4	3/4	3/8	316	ZTAE38EFX12C-316
3/8-32	5/8	1/2-13	3/4	3/4	3/8	Alum	ZTAE38EFX12C-AL
3/8-32	5/8	1/2-28	3/4	3/4	3/8	18-8	ZTAE38EFX12EF-188
3/8-32	5/8	1/2-20	3/4	3/4	3/8	18-8	ZTAE38EFX12F-188
3/8-32	5/8	1/2-20	3/4	3/4	3/8	316	ZTAE38EFX12F-316
3/8-32	5/8	1/2-20	3/4	3/4	3/8	Alum	ZTAE38EFX12F-AL
3/8-32	5/8	M10 x 1.5	5/8	9/16	1/4	18-8	ZTAE38EFXM10C-188
3/8-32	5/8	M10 x 1.5	5/8	9/16	1/4	316	ZTAE38EFXM10C-316
3/8-32	5/8	M10 x 1.5	5/8	9/16	1/4	Alum	ZTAE38EFXM10C-AL
3/8-32	5/8	M10 x 1	5/8	9/16	1/4	18-8	ZTAE38EFXM10EF-188
3/8-32	5/8	M10 x 1	5/8	9/16	1/4	316	ZTAE38EFXM10EF-316
3/8-32	5/8	M10 x 1.25	5/8	9/16	1/4	18-8	ZTAE38EFXM10F-188
3/8-32	5/8	M10 x 1.25	5/8	9/16	1/4	316	ZTAE38EFXM10F-316
3/8-32	5/8	M10 x 1.25	5/8	9/16	1/4	Alum	ZTAE38EFXM10F-AL

# Threaded Adapters

18-8 SS, 316 SS,  
Alum, Steel

## Male-Male Hex Adapters



Male Thread A Side	Male Thd Lth A Side	Male Thread B Side	Male Thd Lth B Side	Hex A/F	Hex Length	Material	Part Number
3/8-32	5/8	M12 x 1.75	3/4	3/4	3/8	18-8	ZTAE38EFXM12C-188
3/8-32	5/8	M12 x 1.75	3/4	3/4	3/8	316	ZTAE38EFXM12C-316
3/8-32	5/8	M12 x 1.75	3/4	3/4	3/8	Alum	ZTAE38EFXM12C-AL
3/8-32	5/8	M12 x 1.25	3/4	3/4	3/8	18-8	ZTAE38EFXM12EF-188
3/8-32	5/8	M12 x 1.25	3/4	3/4	3/8	316	ZTAE38EFXM12EF-316
3/8-32	5/8	M12 x 1.5	3/4	3/4	3/8	18-8	ZTAE38EFXM12F-188
3/8-32	5/8	M12 x 1.5	3/4	3/4	3/8	316	ZTAE38EFXM12F-316
3/8-32	5/8	M6 x 1	1/2	9/16	1/4	18-8	ZTAE38EFXM6C-188
3/8-32	5/8	M6 x 1	1/2	9/16	1/4	316	ZTAE38EFXM6C-316
3/8-32	5/8	M6 x 1	1/2	9/16	1/4	Alum	ZTAE38EFXM6C-AL
3/8-32	5/8	M6 x .750	1/2	9/16	1/4	18-8	ZTAE38EFXM6F-188
3/8-32	5/8	M8 x 1.25	1/2	9/16	1/4	18-8	ZTAE38EFXM8C-188
3/8-32	5/8	M8 x 1.25	1/2	9/16	1/4	316	ZTAE38EFXM8C-316
3/8-32	5/8	M8 x 1.25	1/2	9/16	1/4	Alum	ZTAE38EFXM8C-AL
3/8-32	5/8	M8 x 1	1/2	9/16	1/4	18-8	ZTAE38EFXM8F-188
3/8-32	5/8	M8 x 1	1/2	9/16	1/4	316	ZTAE38EFXM8F-316
1/2-13	3/4	1/2-28	3/4	3/4	3/8	18-8	ZTAE12CX12EF-188
1/2-13	3/4	1/2-28	3/4	3/4	3/8	316	ZTAE12CX12EF-316
1/2-13	3/4	1/2-28	3/4	3/4	3/8	Alum	ZTAE12CX12EF-AL
1/2-13	3/4	1/2-20	3/4	3/4	3/8	316	ZTAE12CX12F-316
1/2-13	3/4	1/2-20	3/4	3/4	3/8	Alum	ZTAE12CX12F-AL
1/2-13	3/4	1/2-20	3/4	3/4	3/8	Stl Blk	ZTAE12CX12FSTL-B
1/2-13	3/4	3/4-10	3/4	1-1/8	11/16	18-8	ZTAE12CX34C-188
1/2-13	3/4	3/4-10	3/4	1-1/8	11/16	316	ZTAE12CX34C-316
1/2-13	3/4	3/4-10	3/4	1-1/8	11/16	Alum	ZTAE12CX34C-AL
1/2-13	3/4	3/4-10	3/4	1-1/8	11/16	Stl Blk	ZTAE12CX34CSTL-B
1/2-13	3/4	5/8-11	3/4	15/16	9/16	18-8	ZTAE12CX58C-188
1/2-13	3/4	5/8-11	3/4	15/16	9/16	316	ZTAE12CX58C-316
1/2-13	3/4	5/8-11	3/4	15/16	9/16	Alum	ZTAE12CX58C-AL
1/2-13	3/4	5/8-11	3/4	15/16	9/16	Stl Blk	ZTAE12CX58CSTL-B
1/2-13	3/4	M10 x 1.5	5/8	3/4	3/8	18-8	ZTAE12CXM10C-188
1/2-13	3/4	M10 x 1.5	5/8	3/4	3/8	316	ZTAE12CXM10C-316
1/2-13	3/4	M10 x 1.5	5/8	3/4	3/8	Alum	ZTAE12CXM10C-AL
1/2-13	3/4	M10 x 1	5/8	3/4	3/8	18-8	ZTAE12CXM10EF-188
1/2-13	3/4	M10 x 1	5/8	3/4	3/8	316	ZTAE12CXM10EF-316
1/2-13	3/4	M10 x 1	5/8	3/4	3/8	Alum	ZTAE12CXM10EF-AL
1/2-13	3/4	M10 x 1.25	5/8	3/4	3/8	18-8	ZTAE12CXM10F-188

## Male-Male Hex Adapters



Male Thread A Side	Male Thd Lth A Side	Male Thread B Side	Male Thd Lth B Side	Hex A/F	Hex Length	Material	Part Number
1/2-13	3/4	M10 x 1.25	5/8	3/4	3/8	316	ZTAE12CXM10F-316
1/2-13	3/4	M10 x 1.25	5/8	3/4	3/8	Alum	ZTAE12CXM10F-AL
1/2-13	3/4	M12 x 1.75	3/4	3/4	3/8	316	ZTAE12CXM12C-316
1/2-13	3/4	M12 x 1.75	3/4	3/4	3/8	Alum	ZTAE12CXM12C-AL
1/2-13	3/4	M12 x 1.25	3/4	3/4	3/8	18-8	ZTAE12CXM12EF-188
1/2-13	3/4	M12 x 1.25	3/4	3/4	3/8	316	ZTAE12CXM12EF-316
1/2-13	3/4	M12 x 1.25	3/4	3/4	3/8	Alum	ZTAE12CXM12EF-AL
1/2-13	3/4	M12 x 1.5	3/4	3/4	3/8	18-8	ZTAE12CXM12F-188
1/2-13	3/4	M12 x 1.5	3/4	3/4	3/8	316	ZTAE12CXM12F-316
1/2-13	3/4	M12 x 1.5	3/4	3/4	3/8	Alum	ZTAE12CXM12F-AL
1/2-13	3/4	M6 x 1	1/2	3/4	3/8	18-8	ZTAE12CXM6C-188
1/2-13	3/4	M6 x 1	1/2	3/4	3/8	316	ZTAE12CXM6C-316
1/2-13	3/4	M6 x 1	1/2	3/4	3/8	Alum	ZTAE12CXM6C-AL
1/2-13	3/4	M6 x .750	1/2	3/4	3/8	18-8	ZTAE12CXM6F-188
1/2-13	3/4	M6 x .750	1/2	3/4	3/8	316	ZTAE12CXM6F-316
1/2-13	3/4	M8 x 1.25	1/2	3/4	3/8	18-8	ZTAE12CXM8C-188
1/2-13	3/4	M8 x 1.25	1/2	3/4	3/8	316	ZTAE12CXM8C-316
1/2-13	3/4	M8 x 1.25	1/2	3/4	3/8	Alum	ZTAE12CXM8C-AL
1/2-13	3/4	M8 x 1	1/2	3/4	3/8	18-8	ZTAE12CXM8F-188
1/2-13	3/4	M8 x 1	1/2	3/4	3/8	316	ZTAE12CXM8F-316
1/2-13	3/4	M8 x 1	1/2	3/4	3/8	Alum	ZTAE12CXM8F-AL
1/2-20	3/4	1/2-28	3/4	3/4	3/8	18-8	ZTAE12FX12EF-188
1/2-20	3/4	1/2-28	3/4	3/4	3/8	316	ZTAE12FX12EF-316
1/2-20	3/4	M10 x 1.5	5/8	3/4	3/8	18-8	ZTAE12FXM10C-188
1/2-20	3/4	M10 x 1.5	5/8	3/4	3/8	316	ZTAE12FXM10C-316
1/2-20	3/4	M10 x 1.5	5/8	3/4	3/8	Alum	ZTAE12FXM10C-AL
1/2-20	3/4	M10 x 1	5/8	3/4	3/8	18-8	ZTAE12FXM10EF-188
1/2-20	3/4	M10 x 1	5/8	3/4	3/8	316	ZTAE12FXM10EF-316
1/2-20	3/4	M10 x 1	5/8	3/4	3/8	Alum	ZTAE12FXM10EF-AL
1/2-20	3/4	M10 x 1.25	5/8	3/4	3/8	18-8	ZTAE12FXM10F-188
1/2-20	3/4	M10 x 1.25	5/8	3/4	3/8	316	ZTAE12FXM10F-316
1/2-20	3/4	M10 x 1.25	5/8	3/4	3/8	Alum	ZTAE12FXM10F-AL
1/2-20	3/4	M12 x 1.75	3/4	3/4	3/8	18-8	ZTAE12FXM12C-188
1/2-20	3/4	M12 x 1.75	3/4	3/4	3/8	316	ZTAE12FXM12C-316
1/2-20	3/4	M12 x 1.75	3/4	3/4	3/8	Alum	ZTAE12FXM12C-AL
1/2-20	3/4	M12 x 1.25	3/4	3/4	3/8	18-8	ZTAE12FXM12EF-188
1/2-20	3/4	M12 x 1.25	3/4	3/4	3/8	316	ZTAE12FXM12EF-316

# Threaded Adapters

18-8 SS, 316 SS,  
Alum, Steel

## Male-Male Hex Adapters



Male Thread A Side	Male Thd Lth A Side	Male Thread B Side	Male Thd Lth B Side	Hex A/F	Hex Length	Material	Part Number
1/2-20	3/4	M12 x 1.25	3/4	3/4	3/8	Alum	ZTAE12FXM12EF-AL
1/2-20	3/4	M12 x 1.5	3/4	3/4	3/8	18-8	ZTAE12FXM12F-188
1/2-20	3/4	M12 x 1.5	3/4	3/4	3/8	316	ZTAE12FXM12F-316
1/2-20	3/4	M6 x 1	1/2	3/4	3/8	18-8	ZTAE12FXM6C-188
1/2-20	3/4	M6 x 1	1/2	3/4	3/8	316	ZTAE12FXM6C-316
1/2-20	3/4	M6 x 1	1/2	3/4	3/8	Alum	ZTAE12FXM6C-AL
1/2-20	3/4	M6 x .750	1/2	3/4	3/8	18-8	ZTAE12FXM6F-188
1/2-20	3/4	M8 x 1.25	1/2	3/4	3/8	18-8	ZTAE12FXM8C-188
1/2-20	3/4	M8 x 1.25	1/2	3/4	3/8	316	ZTAE12FXM8C-316
1/2-20	3/4	M8 x 1.25	1/2	3/4	3/8	Alum	ZTAE12FXM8C-AL
1/2-20	3/4	M8 x 1	1/2	3/4	3/8	18-8	ZTAE12FXM8F-188
1/2-20	3/4	M8 x 1	1/2	3/4	3/8	316	ZTAE12FXM8F-316
1/2-20	3/4	M8 x 1	1/2	3/4	3/8	Alum	ZTAE12FXM8F-AL
1/2-28	3/4	M10 x 1.5	5/8	3/4	3/8	18-8	ZTAE12EFXM10C-188
1/2-28	3/4	M10 x 1.5	5/8	3/4	3/8	316	ZTAE12EFXM10C-316
1/2-28	3/4	M10 x 1.5	5/8	3/4	3/8	Alum	ZTAE12EFXM10C-AL
1/2-28	3/4	M10 x 1	5/8	3/4	3/8	18-8	ZTAE12EFXM10EF-188
1/2-28	3/4	M10 x 1	5/8	3/4	3/8	316	ZTAE12EFXM10EF-316
1/2-28	3/4	M10 x 1.25	5/8	3/4	3/8	18-8	ZTAE12EFXM10F-188
1/2-28	3/4	M10 x 1.25	5/8	3/4	3/8	316	ZTAE12EFXM10F-316
1/2-28	3/4	M10 x 1.25	5/8	3/4	3/8	Alum	ZTAE12EFXM10F-AL
1/2-28	3/4	M12 x 1.75	3/4	3/4	3/8	18-8	ZTAE12EFXM12C-188
1/2-28	3/4	M12 x 1.75	3/4	3/4	3/8	316	ZTAE12EFXM12C-316
1/2-28	3/4	M12 x 1.75	3/4	3/4	3/8	Alum	ZTAE12EFXM12C-AL
1/2-28	3/4	M12 x 1.25	3/4	3/4	3/8	18-8	ZTAE12EFXM12EF-188
1/2-28	3/4	M12 x 1.25	3/4	3/4	3/8	316	ZTAE12EFXM12EF-316
1/2-28	3/4	M12 x 1.5	3/4	3/4	3/8	18-8	ZTAE12EFXM12F-188
1/2-28	3/4	M12 x 1.5	3/4	3/4	3/8	316	ZTAE12EFXM12F-316
1/2-28	3/4	M6 x 1	1/2	3/4	3/8	18-8	ZTAE12EFXM6C-188
1/2-28	3/4	M6 x 1	1/2	3/4	3/8	316	ZTAE12EFXM6C-316
1/2-28	3/4	M6 x 1	1/2	3/4	3/8	Alum	ZTAE12EFXM6C-AL
1/2-28	3/4	M6 x .750	1/2	3/4	3/8	18-8	ZTAE12EFXM6F-188
1/2-28	3/4	M8 x 1	1/2	3/4	3/8	18-8	ZTAE12EFXM8F-188
1/2-28	3/4	M8 x 1	1/2	3/4	3/8	316	ZTAE12EFXM8F-316
1/2-28	3/4	M8 x 1.25	1/2	3/4	3/8	18-8	ZTAE12EFXM8C-188
1/2-28	3/4	M8 x 1.25	1/2	3/4	3/8	316	ZTAE12EFXM8C-316
1/2-28	3/4	M8 x 1.25	1/2	3/4	3/8	Alum	ZTAE12EFXM8C-AL

## Male-Male Hex Adapters

Metric Male Thread A Size



Male Thread A Side	Male Thd Lth A Side	Male Thread B Side	Male Thd Lth B Side	Hex A/F	Hex Length	Material	Part Number
M2.5 x 0.45	7.5mm	M3 x 0.5	7.5mm	6.4mm	3.2mm	316	ZTAEM2.5CXM3C-316
M2.5 x 0.45	7.5mm	M3 x 0.35	7.5mm	6.4mm	3.2mm	18-8	ZTAEM2.5CXM3F-188
M3 x 0.5	7.5mm	M3 x 0.35	7.5mm	6.4mm	3.2mm	18-8	ZTAEM3CXM3F-188
M3 x 0.5	7.5mm	M4 x 0.5	9.5mm	6.4mm	3.2mm	18-8	ZTAEM3CXM4F-188
M3.5 x 0.6	9.5mm	M5 x 0.5	7.5mm	7.9mm	3.2mm	18-8	ZTAEM3.5CXM5F-188
M4 x 0.7	9.5mm	M3 x 0.5	7.5mm	6.4mm	3.2mm	316	ZTAEM4CXM3C-316
M4 x 0.7	9.5mm	M3 x 0.35	7.5mm	6.4mm	3.2mm	18-8	ZTAEM4CXM3F-188
M4 x 0.7	9.5mm	M4 x 0.5	9.5mm	6.4mm	3.2mm	18-8	ZTAEM4CXM4F-188
M4 x 0.7	9.5mm	M5 x 0.8	9.5mm	7.9mm	3.2mm	316	ZTAEM4CXM5C-316
M4 x 0.7	9.5mm	M5 x 0.5	9.5mm	7.9mm	3.2mm	18-8	ZTAEM4CXM5F-188
M5 x 0.8	9.5mm	M4 x 0.5	9.5mm	7.9mm	3.2mm	18-8	ZTAEM5CXM4F-188
M5 x 0.8	9.5mm	M5 x 0.5	9.5mm	7.9mm	3.2mm	18-8	ZTAEM5CXM5F-188
M5 x 0.8	9.5mm	M6 x 1	12.7mm	9.5mm	4.8mm	316	ZTAEM5CXM6C-316
M5 x 0.8	9.5mm	M6 x .750	12.7mm	9.5mm	4.8mm	18-8	ZTAEM5CXM6F-188
M6 x .750	12.7mm	M8 x 1	12.7mm	12.7mm	4.8mm	18-8	ZTAEM6FXM8F-188
M6 x .750	12.7mm	M8 x 1	12.7mm	12.7mm	4.8mm	316	ZTAEM6FXM8F-316
M6 x 1	12.7mm	M5 x 0.5	9.5mm	9.5mm	4.8mm	18-8	ZTAEM6CXM5F-188
M6 x 1	12.7mm	M8 x 1	12.7mm	12.7mm	4.8mm	18-8	ZTAEM6CXM8F-188
M6 x 1	12.7mm	M8 x 1	12.7mm	12.7mm	4.8mm	316	ZTAEM6CXM8F-316
M6 x 1	12.7mm	M8 x 1	12.7mm	12.7mm	4.8mm	Alum	ZTAEM6CXM8F-AL
M8 x 1	12.7mm	M10 x 1	16mm	17.4mm	6.4mm	18-8	ZTAEM8FXM10EF-188
M8 x 1	12.7mm	M10 x 1	16mm	17.4mm	6.4mm	316	ZTAEM8FXM10EF-316
M8 x 1	12.7mm	M10 x 1.25	16mm	17.4mm	6.4mm	18-8	ZTAEM8FXM10F-188
M8 x 1	12.7mm	M10 x 1.25	16mm	17.4mm	6.4mm	316	ZTAEM8FXM10F-316
M8 x 1	12.7mm	M10 x 1.25	16mm	17.4mm	6.4mm	Alum	ZTAEM8FXM10F-AL
M8 x 1.25	12.7mm	M10 x 1.5	16mm	17.4mm	6.4mm	316	ZTAEM8CXM10C-316
M8 x 1.25	12.7mm	M10 x 1.5	16mm	17.4mm	6.4mm	Alum	ZTAEM8CXM10C-AL
M8 x 1.25	12.7mm	M10 x 1	16mm	17.4mm	6.4mm	316	ZTAEM8CXM10EF-316
M8 x 1.25	12.7mm	M10 x 1	16mm	17.4mm	6.4mm	Alum	ZTAEM8CXM10EF-AL
M8 x 1.25	12.7mm	M8 x 1	12.7mm	12.7mm	4.8mm	316	ZTAEM8CXM8F-316
M8 x 1.25	12.7mm	M8 x 1	12.7mm	12.7mm	4.8mm	Alum	ZTAEM8CXM8F-AL
M10 x 1.25	16mm	M10 x 1	16mm	17.4mm	6.4mm	18-8	ZTAEM10FXM10EF-188
M10 x 1.25	16mm	M10 x 1	16mm	17.4mm	6.4mm	316	ZTAEM10FXM10EF-316
M10 x 1.25	16mm	M10 x 1	16mm	17.4mm	6.4mm	Alum	ZTAEM10FXM10EF-AL
M10 x 1.25	16mm	M12 x 1.25	19mm	19mm	9.5mm	18-8	ZTAEM10FXM12EF-188
M10 x 1.25	16mm	M12 x 1.25	19mm	19mm	9.5mm	316	ZTAEM10FXM12EF-316
M10 x 1.25	16mm	M12 x 1.25	19mm	19mm	9.5mm	Alum	ZTAEM10FXM12EF-AL
M10 x 1.5	16mm	M10 x 1	16mm	17.4mm	6.4mm	316	ZTAEM10CXM10EF-316
M10 x 1.5	16mm	M10 x 1	16mm	17.4mm	6.4mm	Alum	ZTAEM10CXM10EF-AL

# Threaded Adapters

## Male-Male Hex Adapters

Metric Male Thread A Size



Male Thread A Side	Male Thd Lth A Side	Male Thread B Side	Male Thd Lth B Side	Hex A/F	Hex Length	Material	Part Number
M10 x 1.5	16mm	M12 x 1.25	19mm	19mm	9.5mm	18-8	ZTAEM10CXM12EF-188
M10 x 1.5	16mm	M12 x 1.25	19mm	19mm	9.5mm	316	ZTAEM10CXM12EF-316
M10 x 1.5	16mm	M12 x 1.25	19mm	19mm	9.5mm	Alum	ZTAEM10CXM12EF-AL
M10 x 1.5	16mm	M12 x 1.5	19mm	19mm	9.5mm	18-8	ZTAEM10CXM12F-188
M10 x 1.5	16mm	M12 x 1.5	19mm	19mm	9.5mm	316	ZTAEM10CXM12F-316
M10 x 1.5	16mm	M12 x 1.5	19mm	19mm	9.5mm	Alum	ZTAEM10CXM12F-AL
M10 x 1.5	16mm	M8 x 1	12.7mm	17.4mm	6.4mm	18-8	ZTAEM10CXM8F-188
M10 x 1.5	16mm	M8 x 1	12.7mm	17.4mm	6.4mm	316	ZTAEM10CXM8F-316
M10 x 1.5	16mm	M8 x 1	12.7mm	17.4mm	6.4mm	Alum	ZTAEM10CXM8F-AL
M12 x 1.5	19mm	M10 x 1	19mm	19mm	9.5mm	18-8	ZTAEM12FXM10EF-188
M12 x 1.5	19mm	M10 x 1	19mm	19mm	9.5mm	316	ZTAEM12FXM10EF-316
M12 x 1.5	19mm	M10 x 1.25	19mm	19mm	9.5mm	18-8	ZTAEM12FXM10F-188
M12 x 1.5	19mm	M10 x 1.25	19mm	19mm	9.5mm	316	ZTAEM12FXM10F-316
M12 x 1.5	19mm	M10 x 1.25	19mm	19mm	9.5mm	Alum	ZTAEM12FXM10F-AL
M12 x 1.5	19mm	M12 x 1.25	19mm	19mm	9.5mm	18-8	ZTAEM12FXM12EF-188
M12 x 1.5	19mm	M12 x 1.25	19mm	19mm	9.5mm	316	ZTAEM12FXM12EF-316
M12 x 1.5	19mm	M12 x 1.25	19mm	19mm	9.5mm	Alum	ZTAEM12FXM12EF-AL
M12 x 1.75	19mm	M10 x 1.5	19mm	19mm	9.5mm	18-8	ZTAEM12CXM10C-188
M12 x 1.75	19mm	M10 x 1.5	19mm	19mm	9.5mm	316	ZTAEM12CXM10C-316
M12 x 1.75	19mm	M10 x 1.5	19mm	19mm	9.5mm	Alum	ZTAEM12CXM10C-AL
M12 x 1.75	19mm	M10 x 1	19mm	19mm	9.5mm	18-8	ZTAEM12CXM10EF-188
M12 x 1.75	19mm	M10 x 1	19mm	19mm	9.5mm	316	ZTAEM12CXM10EF-316
M12 x 1.75	19mm	M10 x 1	19mm	19mm	9.5mm	Alum	ZTAEM12CXM10EF-AL
M12 x 1.75	19mm	M10 x 1.25	19mm	19mm	9.5mm	18-8	ZTAEM12CXM10F-188
M12 x 1.75	19mm	M10 x 1.25	19mm	19mm	9.5mm	316	ZTAEM12CXM10F-316
M12 x 1.75	19mm	M10 x 1.25	19mm	19mm	9.5mm	Alum	ZTAEM12CXM10F-AL
M12 x 1.75	19mm	M12 x 1.25	19mm	19mm	9.5mm	316	ZTAEM12CXM12EF-316
M12 x 1.75	19mm	M12 x 1.25	19mm	19mm	9.5mm	Alum	ZTAEM12CXM12EF-AL
M12 x 1.75	19mm	M12 x 1.5	19mm	19mm	9.5mm	18-8	ZTAEM12CXM12F-188
M12 x 1.75	19mm	M12 x 1.5	19mm	19mm	9.5mm	316	ZTAEM12CXM12F-316



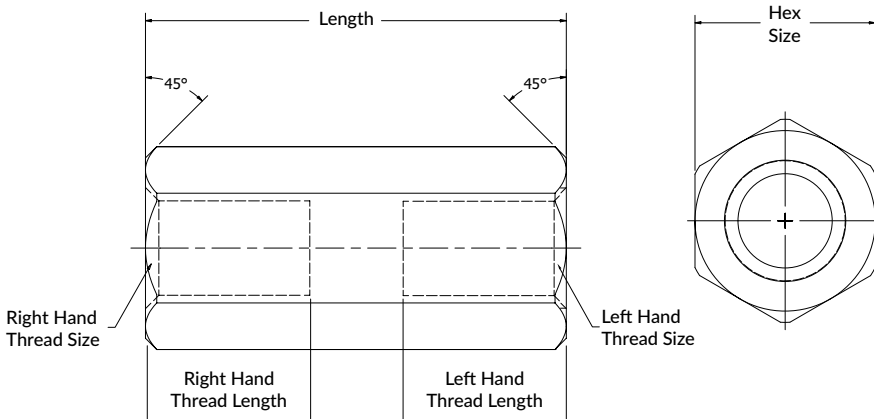
## Female Hex Thread Adapters — Inch to Inch, Inch to Metric, Metric to Metric

### Product Information

These Female Hex Thread Adapters join two male-threaded components of varying sizes, such as threaded rods using a wrench to secure them. These adapters possess two threads of diverse sizes and intervals, enabling the alteration of thread size or the transition from coarse to fine threading. Additionally, they can be employed to modify the gender of a connection from male to female. Smaller adapters can function as threaded standoffs, which serve to position and isolate circuit boards and other components within assemblies.

### Materials and finishes offered in:

- 18-8 Stainless Steel | Plain
- 316 Stainless Steel | Plain
- Aluminum | Plain
- Steel | Black Oxide finish



## Female Hex Thread Adapters — Inch to Inch

Thread Size (A To B)	Thread Lg. (A)	Thread Lg. (B)	Hex Size	Length	Material Type	Part Number
2-56 To 4-40	1/8	1/8	5/16	7/16	18-8 SS	NUT6012X4
2-56 To 4-40	1/8	1/8	5/16	7/16	316 SS	NUT6022CX4C
2-56 To 6-32	1/8	9/64	5/16	1/2	316 SS	NUT6022CX6C
2-56 To 8-32	1/8	9/64	5/16	5/8	316 SS	NUT6022CX8C
4-40 To 4-48	1/8	1/8	5/16	7/16	18-8 SS	NUT6014CX4F
4-40 To 6-32	9/64	9/64	5/16	1/2	18-8 SS	NUT6014X6
4-40 To 6-32	9/64	9/64	5/16	1/2	316 SS	NUT6024CX6C
4-40 To 6-40	9/64	9/64	5/16	1/2	18-8 SS	NUT6014CX6F
4-40 To 8-32	9/64	11/64	5/16	5/8	316 SS	NUT6024CX8C
4-40 To 10-24	9/64	3/16	5/16	3/4	18-8 SS	NUT6014CX10C
4-40 To 10-24	9/64	3/16	5/16	3/4	316 SS	NUT6024CX10C
4-40 To 10-32	9/64	3/16	5/16	3/4	316 SS	NUT6024CX10F
4-48 To 6-32	9/64	9/64	5/16	1/2	18-8 SS	NUT6014FX6C
4-48 To 6-32	9/64	9/64	5/16	1/2	316 SS	NUT6024FX6C
6-32 To 6-40	9/64	9/64	5/16	1/2	18-8 SS	NUT6016CX6F
6-32 To 8-32	11/64	11/64	5/16	5/8	18-8 SS	NUT6016X8

## Female Hex Thread Adapters — Inch to Inch



Thread Size (A To B)	Thread Lg. (A)	Thread Lg. (B)	Hex Size	Length	Material Type	Part Number
6-32 To 8-32	11/64	11/64	5/16	5/8	316 SS	NUT6026CX8C
6-32 To 8-36	11/64	11/64	5/16	5/8	18-8 SS	NUT6016CX8F
6-32 To 10-24	11/64	3/16	5/16	3/4	18-8 SS	NUT6016CX10C
6-32 To 10-24	11/64	3/16	5/16	3/4	316 SS	NUT6026CX10C
6-32 To 10-32	11/64	3/16	5/16	3/4	316 SS	NUT6026CX10F
6-32 To 1/4-20	11/64	1/4	1/2	1	316 SS	NUT6026CX14C
6-40 To 8-32	11/64	11/64	5/16	5/8	316 SS	NUT6026FX8C
6-40 To 8-32	11/64	11/64	5/16	5/8	18-8 SS	NUT6016FX8C
8-32 To 8-36	11/64	11/64	5/16	5/8	18-8 SS	NUT6018CX8F
8-32 To 10-24	3/16	3/16	5/16	3/4	316 SS	NUT6028CX10C
8-32 To 10-24	3/16	3/16	5/16	3/4	18-8 SS	NUT6018CX10C
8-32 To 10-32	3/16	3/16	5/16	3/4	316 SS	NUT6028CX10F
8-32 To 10-32	3/16	3/16	5/16	3/4	18-8 SS	NUT6018X10
8-32 To 1/4-20	3/16	1/4	1/2	1	316 SS	NUT6028CX14C
8-32 To 5/16-18	3/16	5/16	1/2	1	316 SS	NUT6028CX51C
8-36 To 10-24	3/16	3/16	5/16	3/4	18-8 SS	NUT6018FX10C
8-36 To 10-32	3/16	3/16	5/16	3/4	316 SS	NUT6028FX10F
8-36 To 10-32	3/16	3/16	5/16	3/4	18-8 SS	NUT6018FX10F
10-24 To 10-32	3/16	3/16	5/16	3/4	18-8 SS	NUT60110CX10F
10-24 To 10-32	3/16	3/16	5/16	3/4	316 SS	NUT60210CX10F
10-24 To 1/4-20	1/4	1/4	1/2	1	18-8 SS	NUT60110CX14C
10-24 To 1/4-20	1/4	1/4	1/2	1	Steel, Bl Ox	NUT612L10CX14C
10-24 To 1/4-20	1/4	1/4	1/2	1	316 SS	NUT60210CX14C
10-24 To 1/4-20	1/4	1/4	1/2	1	Alum	NUT72010CX14C
10-24 To 1/4-28	1/4	1/4	1/2	1	18-8 SS	NUT60110CX14F
10-24 To 1/4-28	1/4	1/4	1/2	1	316 SS	NUT60210CX14F
10-24 To 5/16-18	5/16	5/16	1/2	1	18-8 SS	NUT60110CX51C
10-24 To 5/16-18	5/16	5/16	1/2	1	316 SS	NUT60210CX51C
10-24 To 5/16-24	5/16	5/16	1/2	1	18-8 SS	NUT60110CX51F
10-24 To 5/16-24	5/16	5/16	1/2	1	316 SS	NUT60210CX51F
10-24 To 5/16-32	5/16	5/16	1/2	1	18-8 SS	NUT60110CX51EF
10-24 To 3/8-16	5/16	1/2	1/2	1	18-8 SS	NUT60110CX38C
10-24 To 3/8-16	5/16	1/2	1/2	1	316 SS	NUT60210CX38C
10-24 To 3/8-16	5/16	1/2	1/2	1	Steel, Bl Ox	NUT612L10CX38C
10-24 To 3/8-16	5/16	1/2	1/2	1	Alum	NUT72010CX38C
10-32 To 1/4-20	1/4	1/4	1/2	1	316 SS	NUT60210FX14C
10-32 To 1/4-20	1/4	1/4	1/2	1	18-8 SS	NUT60110X14

18-8 SS, 316 SS,  
Steel, Alum

## Female Hex Thread Adapters – Inch to Inch



Thread Size (A To B)	Thread Lg. (A)	Thread Lg. (B)	Hex Size	Length	Material Type	Part Number
1/4-28 To 1/4-32	1/4	1/2	1/2	1	18-8 SS	NUT60114FX14EF
1/4-28 To 5/16-18	1/4	5/16	1/2	1	18-8 SS	NUT60114FX51C
1/4-28 To 5/16-18	1/4	5/16	1/2	1	316 SS	NUT60214FX51C
1/4-28 To 5/16-24	1/4	5/16	1/2	1	18-8 SS	NUT60114FX51F
1/4-28 To 5/16-24	1/4	5/16	1/2	1	316 SS	NUT60214FX51F
1/4-28 To 5/16-32	1/4	5/16	1/2	1	18-8 SS	NUT60114FX51EF
1/4-28 To 3/8-16	1/4	3/8	1/2	1	Alum	NUT72014FX38C
1/4-28 To 3/8-16	1/4	3/8	1/2	1	316 SS	NUT60214FX38C
1/4-28 To 3/8-16	1/4	3/8	1/2	1	18-8 SS	NUT60114FX38C
1/4-28 To 3/8-24	1/4	3/8	1/2	1	316 SS	NUT60214FX38F
1/4-28 To 3/8-24	1/4	3/8	1/2	1	18-8 SS	NUT60114FX38F
1/4-28 To 3/8-32	1/4	3/8	1/2	1	18-8 SS	NUT60114FX38EF
1/4-28 To 1/2-13	1/4	1/2	5/8	1-1/4	18-8 SS	NUT60114FX12C
1/4-28 To 1/2-13	1/4	1/2	5/8	1-1/4	316 SS	NUT60214FX12C
1/4-28 To 1/2-13	1/4	1/2	5/8	1-1/4	Alum	NUT72014FX12C
1/4-28 To 1/2-20	1/4	1/2	5/8	1-1/4	18-8 SS	NUT60114FX12F
1/4-28 To 1/2-20	1/4	1/2	5/8	1-1/4	316 SS	NUT60214FX12F
1/4-28 To 1/2-28	1/4	1/2	5/8	1-1/4	18-8 SS	NUT60114FX12EF
1/4-32 To 5/16-18	1/4	5/16	1/2	1	18-8 SS	NUT60114EFX51C
1/4-32 To 5/16-18	1/4	5/16	1/2	1	Alum	NUT72014EFX51C
1/4-32 To 5/16-18	1/4	5/16	1/2	1	316 SS	NUT60214EFX51C
1/4-32 To 5/16-24	1/4	5/16	1/2	1	18-8 SS	NUT60114EFX51F
1/4-32 To 5/16-32	1/4	5/16	1/2	1	18-8 SS	NUT60114EFX51EF
1/4-32 To 3/8-16	1/4	3/8	1/2	1	Alum	NUT72014EFX38C
1/4-32 To 3/8-16	1/4	3/8	1/2	1	316 SS	NUT60214EFX38C
1/4-32 To 3/8-16	1/4	3/8	1/2	1	18-8 SS	NUT60114EFX38C
1/4-32 To 3/8-24	1/4	3/8	1/2	1	18-8 SS	NUT60114EFX38F
1/4-32 To 3/8-32	1/4	3/8	1/2	1	18-8 SS	NUT60114EFX38EF
1/4-32 To 1/2-13	1/4	1/2	5/8	1-1/4	18-8 SS	NUT60114EFX12C
1/4-32 To 1/2-13	1/4	1/2	5/8	1-1/4	Alum	NUT72014EFX12C
1/4-32 To 1/2-13	1/4	1/2	5/8	1-1/4	316 SS	NUT60214EFX12C
1/4-32 To 1/2-20	1/4	1/2	5/8	1-1/4	18-8 SS	NUT60114EFX12F
1/4-32 To 1/2-20	1/4	1/2	5/8	1-1/4	316 SS	NUT60214EFX12F
1/4-32 To 1/2-28	1/4	1/2	5/8	1-1/4	18-8 SS	NUT60114EFX12EF
5/16-18 To 5/16-24	5/16	5/16	1/2	1	316 SS	NUT60251CX51F
5/16-18 To 3/8-16	5/16	3/8	1/2	1	316 SS	NUT60251CX38C
5/16-18 To 3/8-24	5/16	3/8	1/2	1	316 SS	NUT60251CX38F

## Female Hex Thread Adapters – Inch to Inch



Thread Size (A To B)	Thread Lg. (A)	Thread Lg. (B)	Hex Size	Length	Material Type	Part Number
5/16-18 To 3/8-32	5/16	3/8	1/2	1	316 SS	NUT60251CX38EF
5/16-18 To 1/2-13	5/16	1/2	5/8	1-1/4	316 SS	NUT60251CX12C
5/16-18 To 1/2-20	5/16	1/2	5/8	1-1/4	316 SS	NUT60251CX12F
5/16-18 To 1/2-28	5/16	1/2	5/8	1-1/4	316 SS	NUT60251CX12EF
5/16-24 To 3/8-16	5/16	3/8	1/2	1	316 SS	NUT60251FX38C
5/16-24 To 3/8-24	5/16	3/8	1/2	1	316 SS	NUT60251FX38F
5/16-24 To 1/2-13	5/16	1/2	5/8	1-1/4	316 SS	NUT60251FX12C
5/16-24 To 1/2-20	5/16	1/2	5/8	1-1/4	316 SS	NUT60251FX12F
5/16-32 To 3/8-16	5/16	3/8	1/2	1	316 SS	NUT60251EFX38C
5/16-32 To 1/2-13	5/16	1/2	5/8	1-1/4	316 SS	NUT60251EFX12C
5/16-32 To 1/2-20	5/16	1/2	5/8	1-1/4	316 SS	NUT60251EFX12F
5/16-18 To 3/8-16	5/16	3/8	1/2	1	Steel, Bl Ox	NUT612L51CX38C
5/16-18 To 3/8-16	5/16	3/8	1/2	1	Alum	NUT72051CX38C
5/16-18 To 5/16-32	5/16	5/16	13/16	1	18-8 SS	NUT60151CX51EF
5/16-18 To 5/16-24	5/16	5/16	7/16	1	18-8 SS	NUT60151X51
5/16-18 To 3/8-24	5/16	3/8	1/2	1	18-8 SS	NUT60151CX38F
5/16-18 To 3/8-32	5/16	3/8	1/2	1	18-8 SS	NUT60151CX38EF
5/16-18 To 1/2-13	5/16	1/2	5/8	1-1/4	18-8 SS	NUT60151X12
5/16-18 To 1/2-13	5/16	1/2	5/8	1-1/4	Steel, Bl Ox	NUT612L51CX12C
5/16-18 To 1/2-13	5/16	1/2	5/8	1-1/4	Alum	NUT72051CX12C
5/16-18 To 1/2-20	5/16	1/2	5/8	1-1/4	18-8 SS	NUT60151CX12F
5/16-18 To 1/2-28	5/16	1/2	5/8	1-1/4	18-8 SS	NUT60151CX12EF
5/16-24 To 5/16-32	5/16	5/16	1/2	1	18-8 SS	NUT60151FX51EF
5/16-24 To 3/8-16	5/16	3/8	1/2	1	Alum	NUT72051FX38C
5/16-24 To 3/8-16	5/16	3/8	1/2	1	18-8 SS	NUT60151FX38C
5/16-24 To 3/8-24	5/16	3/8	1/2	1	18-8 SS	NUT60151FX38F
5/16-24 To 3/8-32	5/16	3/8	1/2	1	18-8 SS	NUT60151FX38EF
5/16-24 To 1/2-13	5/16	1/2	5/8	1-1/4	18-8 SS	NUT60151FX12C
5/16-24 To 1/2-13	5/16	1/2	5/8	1-1/4	Alum	NUT72051FX12C
5/16-24 To 1/2-20	5/16	1/2	5/8	1-1/4	18-8 SS	NUT60151FX12F
5/16-24 To 1/2-28	5/16	1/2	5/8	1-1/4	18-8 SS	NUT60151FX12EF
5/16-32 To 3/8-16	5/16	3/8	1/2	1	Alum	NUT72051EFX38C
5/16-32 To 3/8-16	5/16	3/8	1/2	1	18-8 SS	NUT60151EFX38C
5/16-32 To 3/8-24	5/16	3/8	1/2	1	18-8 SS	NUT60151EFX38F
5/16-32 To 3/8-32	5/16	3/8	1/2	1	18-8 SS	NUT60151EFX38EF
5/16-32 To 1/2-13	5/16	1/2	5/8	1-1/4	Alum	NUT72051EFX12C
5/16-32 To 1/2-13	5/16	1/2	5/8	1-1/4	18-8 SS	NUT60151EFX12C

## Female Hex Thread Adapters — Inch to Inch



Thread Size (A To B)	Thread Lg. (A)	Thread Lg. (B)	Hex Size	Length	Material Type	Part Number
5/16-32 To 1/2-20	5/16	1/2	5/8	1-1/4	18-8 SS	NUT60151EFX12F
5/16-32 To 1/2-28	5/16	1/2	5/8	1-1/4	18-8 SS	NUT60151EFX12EF
3/8-16 To 3/8-24	3/8	3/8	1/2	1-1/4	18-8 SS	NUT60138X38
3/8-16 To 3/8-24	3/8	3/8	1/2	1-1/4	316 SS	NUT60238CX38F
3/8-16 To 3/8-32	3/8	3/8	1/2	1-1/4	Alum	NUT72038CX38EF
3/8-16 To 3/8-32	3/8	3/8	1/2	1-1/4	18-8 SS	NUT60138CX38EF
3/8-16 To 3/8-32	3/8	3/8	1/2	1-1/4	316 SS	NUT60238CX38EF
3/8-16 To 1/2-13	3/8	1/2	5/8	1-1/4	Steel, BI Ox	NUT612L38CX12C
3/8-16 To 1/2-13	3/8	1/2	5/8	1-1/4	Alum	NUT72038CX12C
3/8-16 To 1/2-13	3/8	1/2	5/8	1-1/4	316 SS	NUT60238CX12C
3/8-16 To 1/2-20	3/8	1/2	5/8	1-1/4	18-8 SS	NUT60138CX12F
3/8-16 To 1/2-20	3/8	1/2	5/8	1-1/4	Alum	NUT72038CX12F
3/8-16 To 1/2-20	3/8	1/2	5/8	1-1/4	316 SS	NUT60238CX12F
3/8-16 To 1/2-28	3/8	1/2	5/8	1-1/4	18-8 SS	NUT60138CX12EF
3/8-16 To 1/2-28	3/8	1/2	5/8	1-1/4	Alum	NUT72038CX12EF
3/8-16 To 1/2-28	3/8	1/2	5/8	1-1/4	316 SS	NUT60238CX12EF
3/8-16 To 5/8-11	3/8	5/8	13/16	1-1/2	Alum	NUT72038CX58C
3/8-16 To 5/8-11	3/8	5/8	13/16	1-1/2	316 SS	NUT60238CX58C
3/8-16 To 3/4-10	3/8	3/4	1	1-1/2	Alum	NUT72038CX34C
3/8-16 To 3/4-10	3/8	3/4	1	1-1/2	316 SS	NUT60238CX34C
3/8-16 To 5/8-11	3/8	5/8	13/16	1-1/2	18-8 SS	NUT60138X58
3/8-16 To 3/4-10	3/8	3/4	1	1-1/2	18-8 SS	NUT60138X34
3/8-24 To 3/8-32	3/8	3/8	1/2	1-1/4	18-8 SS	NUT60138FX38EF
3/8-24 To 1/2-13	3/8	1/2	5/8	1-1/4	18-8 SS	NUT60138FX12C
3/8-24 To 1/2-13	3/8	1/2	5/8	1-1/4	Alum	NUT72038FX12C
3/8-24 To 1/2-13	3/8	1/2	5/8	1-1/4	316 SS	NUT60238FX12C
3/8-24 To 1/2-20	3/8	1/2	5/8	1-1/4	18-8 SS	NUT60138FX12F
3/8-24 To 1/2-20	3/8	1/2	5/8	1-1/4	Alum	NUT72038FX12F
3/8-24 To 1/2-20	3/8	1/2	5/8	1-1/4	316 SS	NUT60238FX12F
3/8-24 To 1/2-28	3/8	1/2	5/8	1-1/4	18-8 SS	NUT60138FX12EF
3/8-24 To 5/8-11	3/8	5/8	13/16	1-1/2	Alum	NUT72038FX58C
3/8-24 To 5/8-11	3/8	5/8	13/16	1-1/2	316 SS	NUT60238FX58C
3/8-24 To 3/4-10	3/8	3/4	1	1-1/2	Alum	NUT72038FX34C
3/8-24 To 3/4-10	3/8	3/4	1	1-1/2	316 SS	NUT60238FX34C
3/8-24 To 5/8-11	3/8	5/8	13/16	1-1/2	18-8 SS	NUT60138FX58C
3/8-24 To 3/4-10	3/8	3/4	1	1-1/2	18-8 SS	NUT60138FX34C
3/8-32 To 1/2-13	3/8	1/2	5/8	1-1/4	18-8 SS	NUT60138EFX12C

## Female Hex Thread Adapters – Inch to Inch



Thread Size (A To B)	Thread Lg. (A)	Thread Lg. (B)	Hex Size	Length	Material Type	Part Number
3/8-32 To 1/2-13	3/8	1/2	5/8	1-1/4	Alum	NUT72038EFX12C
3/8-32 To 1/2-13	3/8	1/2	5/8	1-1/4	316 SS	NUT60238EFX12C
3/8-32 To 1/2-20	3/8	1/2	5/8	1-1/4	18-8 SS	NUT60138EFX12F
3/8-32 To 1/2-20	3/8	1/2	5/8	1-1/4	Alum	NUT72038EFX12F
3/8-32 To 1/2-20	3/8	1/2	5/8	1-1/4	316 SS	NUT60238EFX12F
3/8-32 To 1/2-28	3/8	1/2	5/8	1-1/4	18-8 SS	NUT60138EFX12EF
3/8-32 To 5/8-11	3/8	5/8	13/16	1-1/2	Alum	NUT72038EFX58C
3/8-32 To 5/8-11	3/8	5/8	13/16	1-1/2	316 SS	NUT60238EFX58C
3/8-32 To 3/4-10	3/8	3/4	1	1-1/2	316 SS	NUT60238EFX34C
3/8-32 To 5/8-11	3/8	5/8	13/16	1-1/2	18-8 SS	NUT60138EFX58C
3/8-32 To 3/4-10	3/8	3/4	1	1-1/2	18-8 SS	NUT60138EFX34C
1/2-13 To 1/2-28	1/2	1/2	5/8	2-1/4	Alum	NUT72012CX12EF
1/2-13 To 1/2-20	1/2	1/2	5/8	2-1/4	Steel, Bl Ox	NUT612L12CX12F
1/2-13 To 1/2-20	1/2	1/2	5/8	2-1/4	Alum	NUT72012CX12F
1/2-13 To 1/2-20	1/2	1/2	5/8	2-1/4	18-8 SS	NUT60112X12
1/2-13 To 1/2-20	1/2	1/2	5/8	2-1/4	316 SS	NUT60212CX12F
1/2-13 To 1/2-28	1/2	1/2	5/8	2-1/4	18-8 SS	NUT60112CX12EF
1/2-13 To 1/2-28	1/2	1/2	5/8	2-1/4	316 SS	NUT60212CX12EF
1/2-13 To 5/8-11	1/2	5/8	7/8	1-3/4	Steel, Bl Ox	NUT612L12CX58C
1/2-13 To 5/8-11	1/2	5/8	7/8	1-3/4	Alum	NUT72012CX58C
1/2-13 To 5/8-11	1/2	5/8	7/8	1-3/4	316 SS	NUT60212CX58C
1/2-13 To 3/4-10	1/2	3/4	1	2-1/4	Steel, Bl Ox	NUT612L12CX34C
1/2-13 To 3/4-10	1/2	3/4	1	2-1/4	Alum	NUT72012CX34C
1/2-13 To 3/4-10	1/2	3/4	1	2-1/4	18-8 SS	NUT60112X34
1/2-13 To 3/4-10	1/2	3/4	1	2-1/4	316 SS	NUT60212CX34C
1/2-13 To 1-8	1/2	1	1-3/8	2	Alum	NUT72012CX01C
1/2-13 To 1-8	1/2	1	1-3/8	2	18-8 SS	NUT60112X01
1/2-13 To 1-8	1/2	1	1-3/8	2	316 SS	NUT60212CX01C
1/2-20 to 1/2-28	1/2	1/2	5/8	2-1/4	18-8 SS	NUT60112FX12EF
1/2-20 to 5/8-11	1/2	5/8	7/8	1-3/4	Alum	NUT72012FX58C
1/2-20 to 5/8-11	1/2	5/8	7/8	1-3/4	18-8 SS	NUT60112FX58C
1/2-20 to 5/8-11	1/2	5/8	7/8	1-3/4	316 SS	NUT60212FX58C
1/2-20 to 3/4-10	1/2	3/4	1	2-1/4	Alum	NUT72012FX34C

## Female Hex Thread Adapters – Inch to Inch



Thread Size (A To B)	Thread Lg. (A)	Thread Lg. (B)	Hex Size	Length	Material Type	Part Number
1/2-20 to 3/4-10	1/2	3/4	1	2-1/4	18-8 SS	NUT60112FX34C
1/2-20 to 3/4-10	1/2	3/4	1	2-1/4	316 SS	NUT60212FX34C
1/2-20 to 1-8	1/2	1	1-3/8	2	18-8 SS	NUT60112FX01C
1/2-20 to 1-8	1/2	1	1-3/8	2	316 SS	NUT60212FX01C
1/2-28 To 5/8-11	1/2	5/8	7/8	1-3/4	Alum	NUT72012EFX58C
1/2-28 To 5/8-11	1/2	5/8	7/8	1-3/4	18-8 SS	NUT60112EFX58C
1/2-28 To 5/8-11	1/2	5/8	7/8	1-3/4	316 SS	NUT60212EFX58C
1/2-28 To 3/4-10	1/2	3/4	1	2-1/4	Alum	NUT72012EFX34C
1/2-28 To 3/4-10	1/2	3/4	1	2-1/4	18-8 SS	NUT60112EFX34C
1/2-28 To 3/4-10	1/2	3/4	1	2-1/4	316 SS	NUT60212EFX34C
1/2-28 To 1-8	1/2	1	1-3/8	2	18-8 SS	NUT60112EFX01C
1/2-28 To 1-8	1/2	1	1-3/8	2	316 SS	NUT60212EFX01C
5/8-11 To 5/8-18	5/8	5/8	7/8	2	316 SS	NUT60258CX58F
5/8-11 To 5/8-18	5/8	5/8	7/8	2	Alum	NUT72058CX58F
5/8-11 To 5/8-18	5/8	5/8	7/8	2	18-8 SS	NUT60158X58
5/8-11 To 3/4-10	5/8	3/4	1	2	316 SS	NUT60258CX34C
5/8-11 To 3/4-10	5/8	3/4	1	2	Steel, Bl Ox	NUT612L58CX34C
5/8-11 To 3/4-10	5/8	3/4	1	2	Alum	NUT72058CX34C
5/8-11 To 7/8-9	5/8	7/8	1-1/4	2	316 SS	NUT60258CX78C
5/8-11 To 7/8-9	5/8	7/8	1-1/4	2	18-8 SS	NUT60158X78
5/8-11 To 1-8	5/8	1	1-3/8	2	316 SS	NUT60258CX01C
5/8-11 To 1-8	5/8	1	1-3/8	2	Alum	NUT72058CX01C
5/8-11 To 1-8	5/8	1	1-3/8	2	18-8 SS	NUT60158X01
3/4-10 To 3/4-16	3/4	3/4	1-1/4	2	316 SS	NUT60234CX34F
3/4-10 To 3/4-16	3/4	3/4	1-1/4	2	Alum	NUT72034CX34F
3/4-10 To 3/4-16	3/4	3/4	1-1/4	2	18-8 SS	NUT60134X34
3/4-10 To 7/8-9	3/4	7/8	1-1/4	2-1/4	316 SS	NUT60234CX78C
3/4-10 To 7/8-9	3/4	7/8	1-1/4	2-1/4	18-8 SS	NUT60134X78
3/4-10 To 1-8	3/4	1	1-3/8	2-1/2	316 SS	NUT60234CX01C
3/4-10 To 1-8	3/4	1	1-3/8	2-1/2	18-8 SS	NUT60134X01
3/4-10 To 1-1/4-7	3/4	1-1/16	1-5/8	3	316 SS	NUT60234CX012C
3/4-10 To 1-1/4-7	3/4	1-1/16	1-5/8	3	18-8 SS	NUT60134CX012C
7/8-9 To 1-8	7/8	1	1-3/8	2	316 SS	NUT60278CX01C
7/8-9 To 1-8	7/8	1	1-3/8	2	18-8 SS	NUT60178CX01C
7/8-9 To 1-1/4-7	7/8	1-1/16	1-5/8	3	18-8 SS	NUT60178CX012C
1-8 To 1 1/4-7	1	1-1/16	1-5/8	3	18-8 SS	NUT60101CX012C

## Female Hex Thread Adapters – Inch to Metric



Thread Size (A To B)	Thread Lg. (A)	Thread Lg. (B)	Hex Size	Length	Material Type	Part Number
6-32 To M4 x 0.7	9/64	4mm	11mm	11mm	316 SS	NUT6026CXM4C
6-40 To M4 x 0.7	9/64	4mm	11mm	11mm	316 SS	NUT6026FXM4C
6-32 To M5 x 0.8	9/64	5mm	11mm	11mm	316 SS	NUT6026CXM5C
6-40 To M5 x 0.8	9/64	5mm	11mm	11mm	316 SS	NUT6026FXM5C
6-32 To M4 x 0.5	9/64	4mm	11mm	11mm	18-8 SS	NUT6016CXM4F
6-32 To M4 x 0.7	9/64	4mm	11mm	11mm	18-8 SS	NUT6016XM4
6-32 To M5 x 0.5	9/64	5mm	11mm	11mm	18-8 SS	NUT6016CXM5F
6-40 To M4 x 0.7	9/64	4mm	11mm	11mm	18-8 SS	NUT6016FXM4C
6-40 To M5 x 0.8	9/64	5mm	11mm	11mm	18-8 SS	NUT6016FXM5C
8-32 To M5 x 0.5	5/32	5mm	13mm	25mm	18-8 SS	NUT6018CXM5F
8-32 To M5 x 0.8	5/32	5mm	13mm	25mm	18-8 SS	NUT6018XM5
8-32 To M5 x 0.8	5/32	5mm	13mm	25mm	316 SS	NUT6028CXM5C
8-32 To M6 x 0.75	5/32	6mm	13mm	25mm	18-8 SS	NUT6018CXM6F
8-32 To M6 x 1	5/32	6mm	13mm	25mm	316 SS	NUT6028CXM6C
8-36 To M5 x 0.5	5/32	5mm	13mm	25mm	18-8 SS	NUT6018FXM5F
8-36 To M5 x 0.8	5/32	5mm	13mm	25mm	316 SS	NUT6028FXM5C
8-36 To M5 x 0.8	5/32	5mm	13mm	25mm	18-8 SS	NUT6018FXM5C
8-36 To M6 x 0.75	5/32	6mm	13mm	25mm	18-8 SS	NUT6018FXM6F
8-36 To M6 x 1	5/32	6mm	13mm	25mm	18-8 SS	NUT6018FXM6C
8-36 To M6 x 1	5/32	6mm	13mm	25mm	316 SS	NUT6028FXM6C
10-24 To M5 x 0.5	1/4	5mm	13mm	25mm	18-8 SS	NUT60110CXM5F
10-24 To M5 x 0.8	1/4	5mm	13mm	25mm	18-8 SS	NUT60110CXM5C
10-24 To M5 x 0.8	1/4	5mm	13mm	25mm	316 SS	NUT60210CXM5C
10-24 To M6 x 0.75	1/4	6mm	13mm	25mm	18-8 SS	NUT60110CXM6F
10-24 To M6 x 1	1/4	6mm	13mm	25mm	18-8 SS	NUT60110CXM6C
10-24 To M6 x 1	1/4	6mm	13mm	25mm	316 SS	NUT60210CXM6C
10-24 To M6 x 1	1/4	6mm	13mm	25mm	Alum	NUT72010CXM6C
10-24 To M8 x 1	1/4	8mm	16mm	38mm	18-8 SS	NUT60110CXM8F
10-24 To M8 x 1	1/4	8mm	16mm	38mm	316 SS	NUT60210CXM8F

## Female Hex Thread Adapters – Inch to Metric



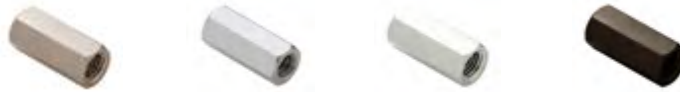
Thread Size (A To B)	Thread Lg. (A)	Thread Lg. (B)	Hex Size	Length	Material Type	Part Number
10-24 To M8 x 1	1/4	8mm	16mm	38mm	Alum	NUT72010CXM8F
10-24 To M8 x 1.25	1/4	8mm	16mm	38mm	18-8 SS	NUT60110CXM8C
10-24 To M8 x 1.25	1/4	8mm	16mm	38mm	316 SS	NUT60210CXM8C
10-24 To M8 x 1.25	1/4	8mm	16mm	38mm	Alum	NUT72010CXM8C
10-32 To M5 x 0.5	1/4	5mm	13mm	25mm	18-8 SS	NUT60110FXM5F
10-32 To M5 x 0.8	1/4	5mm	13mm	25mm	316 SS	NUT60210FXM5C
10-32 To M5 x 0.8	1/4	5mm	13mm	25mm	18-8 SS	NUT60110XM5
10-32 To M6 x 0.75	1/4	6mm	13mm	25mm	18-8 SS	NUT60110FXM6F
10-32 To M6 x 1	1/4	6mm	13mm	25mm	316 SS	NUT60210FXM6C
10-32 To M6 x 1	1/4	6mm	13mm	25mm	18-8 SS	NUT60110XM6
10-32 To M8 x 1	1/4	8mm	16mm	38mm	316 SS	NUT60210FXM8F
10-32 To M8 x 1	1/4	8mm	16mm	38mm	Alum	NUT72010FXM8F
10-32 To M8 x 1	1/4	8mm	16mm	38mm	18-8 SS	NUT60110FXM8F
10-32 To M8 x 1.25	1/4	8mm	16mm	38mm	316 SS	NUT60210FXM8C
1/4-20 To M5 x 0.5	1/4	5mm	13mm	38mm	18-8 SS	NUT60114CXM5F
1/4-20 To M5 x 0.5	1/4	5mm	13mm	38mm	316 SS	NUT60214CXM5F
1/4-20 To M5 x 0.8	1/4	5mm	13mm	38mm	316 SS	NUT60214CXM5C
1/4-20 To M6 x 0.75	1/4	6mm	13mm	38mm	18-8 SS	NUT60114CXM6F
1/4-20 To M6 x 0.75	1/4	6mm	13mm	38mm	316 SS	NUT60214CXM6F
1/4-20 To M6 x 0.75	1/4	6mm	13mm	38mm	Alum	NUT72014CXM6F
1/4-20 To M6 x 1	1/4	6mm	13mm	38mm	18-8 SS	NUT60114XM6
1/4-20 To M6 x 1	1/4	6mm	13mm	38mm	316 SS	NUT60214CXM6C
1/4-20 To M8 x 1	1/4	8mm	16mm	38mm	316 SS	NUT60214CXM8F
1/4-20 To M8 x 1	1/4	8mm	16mm	38mm	Alum	NUT72014CXM8F
1/4-20 To M8 x 1	1/4	8mm	16mm	38mm	18-8 SS	NUT60114CXM8F
1/4-20 To M8 x 1.25	1/4	8mm	16mm	38mm	18-8 SS	NUT60114XM8
1/4-20 To M8 x 1.25	1/4	8mm	16mm	38mm	316 SS	NUT60214CXM8C
1/4-20 To M10 x 1	1/4	10mm	16mm	38mm	18-8 SS	NUT60114CXM10EF
1/4-20 To M10 x 1	1/4	10mm	16mm	38mm	316 SS	NUT60214CXM10EF
1/4-20 To M10 x 1	1/4	10mm	16mm	38mm	Alum	NUT72014CXM10EF
1/4-20 To M10 x 1.25	1/4	10mm	16mm	38mm	18-8 SS	NUT60114CXM10F
1/4-20 To M10 x 1.25	1/4	10mm	16mm	38mm	316 SS	NUT60214CXM10F
1/4-20 To M10 x 1.25	1/4	10mm	16mm	38mm	Alum	NUT72014CXM10F
1/4-20 To M10 x 1.5	1/4	10mm	16mm	38mm	18-8 SS	NUT60114CXM10C
1/4-20 To M10 x 1.5	1/4	10mm	16mm	38mm	316 SS	NUT60214CXM10C

## Female Hex Thread Adapters – Inch to Metric



Thread Size (A To B)	Thread Lg. (A)	Thread Lg. (B)	Hex Size	Length	Material Type	Part Number
1/4-20 To M10 x 1.5	1/4	10mm	16mm	38mm	Alum	NUT72014CXM10C
1/4-20 To M12 x 1.25	1/4	12mm	18mm	38mm	18-8 SS	NUT60114CXM12EF
1/4-20 To M12 x 1.25	1/4	12mm	18mm	38mm	316 SS	NUT60214CXM12EF
1/4-20 To M12 x 1.25	1/4	12mm	18mm	38mm	Alum	NUT72014CXM12EF
1/4-20 To M12 x 1.5	1/4	12mm	18mm	38mm	18-8 SS	NUT60114CXM12F
1/4-20 To M12 x 1.5	1/4	12mm	18mm	38mm	316 SS	NUT60214CXM12F
1/4-20 To M12 x 1.5	1/4	12mm	18mm	38mm	Alum	NUT72014CXM12F
1/4-20 To M12 x 1.75	1/4	12mm	18mm	38mm	18-8 SS	NUT60114CXM12C
1/4-20 To M12 x 1.75	1/4	12mm	18mm	38mm	316 SS	NUT60214CXM12C
1/4-20 To M12 x 1.75	1/4	12mm	18mm	38mm	Alum	NUT72014CXM12C
1/4-28 To M5 x 0.5	1/4	5mm	13mm	38mm	18-8 SS	NUT60114FXM5F
1/4-28 To M5 x 0.8	1/4	5mm	13mm	38mm	18-8 SS	NUT60114FXM5C
1/4-28 To M5 x 0.8	1/4	5mm	13mm	38mm	316 SS	NUT60214FXM5C
1/4-28 To M5 x 0.8	1/4	5mm	13mm	38mm	Alum	NUT72014FXM5C
1/4-28 To M6 x 0.75	1/4	6mm	13mm	38mm	18-8 SS	NUT60114FXM6F
1/4-28 To M6 x 1	1/4	6mm	13mm	38mm	Alum	NUT72014FXM6C
1/4-28 To M6 x 1	1/4	6mm	13mm	38mm	18-8 SS	NUT60114FXM6C
1/4-28 To M6 x 1	1/4	6mm	13mm	38mm	316 SS	NUT60214FXM6C
1/4-28 To M8 x 1	1/4	8mm	16mm	38mm	18-8 SS	NUT60114FXM8F
1/4-28 To M8 x 1	1/4	8mm	16mm	38mm	316 SS	NUT60214FXM8F
1/4-28 To M8 x 1	1/4	8mm	16mm	38mm	Alum	NUT72014FXM8F
1/4-28 To M8 x 1.25	1/4	8mm	16mm	38mm	18-8 SS	NUT60114FXM8C
1/4-28 To M8 x 1.25	1/4	8mm	16mm	38mm	316 SS	NUT60214FXM8C
1/4-28 To M8 x 1.25	1/4	8mm	16mm	38mm	Alum	NUT72014FXM8C
1/4-28 To M10 x 1	1/4	10mm	16mm	38mm	18-8 SS	NUT60114FXM10EF
1/4-28 To M10 x 1	1/4	10mm	16mm	38mm	316 SS	NUT60214FXM10EF
1/4-28 To M10 x 1.25	1/4	10mm	16mm	38mm	18-8 SS	NUT60114FXM10F
1/4-28 To M10 x 1.25	1/4	10mm	16mm	38mm	316 SS	NUT60214FXM10F
1/4-28 To M10 x 1.25	1/4	10mm	16mm	38mm	Alum	NUT72014FXM10F
1/4-28 To M10 x 1.5	1/4	10mm	16mm	38mm	18-8 SS	NUT60114FXM10C
1/4-28 To M10 x 1.5	1/4	10mm	16mm	38mm	316 SS	NUT60214FXM10C
1/4-28 To M10 x 1.5	1/4	10mm	16mm	38mm	Alum	NUT72014FXM10C
1/4-28 To M12 x 1.25	1/4	12mm	18mm	38mm	18-8 SS	NUT60114FXM12EF
1/4-28 To M12 x 1.25	1/4	12mm	18mm	38mm	316 SS	NUT60214FXM12EF
1/4-28 To M12 x 1.25	1/4	12mm	18mm	38mm	Alum	NUT72014FXM12EF
1/4-28 To M12 x 1.5	1/4	12mm	18mm	38mm	18-8 SS	NUT60114FXM12F

## Female Hex Thread Adapters – Inch to Metric



## Hex Reducing Coupling Nuts, Inch to Metric

Thread Size (A To B)	Thread Lg. (A)	Thread Lg. (B)	Hex Size	Length	Material Type	Part Number
1/4-28 To M12 x 1.5	1/4	12mm	18mm	38mm	316 SS	NUT60214FXM12F
1/4-28 To M12 x 1.75	1/4	12mm	18mm	38mm	18-8 SS	NUT60114FXM12C
1/4-28 To M12 x 1.75	1/4	12mm	18mm	38mm	316 SS	NUT60214FXM12C
1/4-28 To M12 x 1.75	1/4	12mm	18mm	38mm	Alum	NUT72014FXM12C
1/4-32 To M5 x 0.5	1/4	5mm	13mm	38mm	18-8 SS	NUT60114EFXM5F
1/4-32 To M5 x 0.8	1/4	5mm	13mm	38mm	316 SS	NUT60214EFXM5C
1/4-32 To M5 x 0.8	1/4	5mm	13mm	38mm	Alum	NUT72014EFXM5C
1/4-32 To M5 x 0.8	1/4	5mm	13mm	38mm	18-8 SS	NUT60114EFXM5C
1/4-32 To M6 x 0.75	1/4	6mm	13mm	38mm	18-8 SS	NUT60114EFXM6F
1/4-32 To M6 x 1	1/4	6mm	13mm	38mm	316 SS	NUT60214EFXM6C
1/4-32 To M6 x 1	1/4	6mm	13mm	38mm	Alum	NUT72014EFXM6C
1/4-32 To M6 x 1	1/4	6mm	13mm	38mm	18-8 SS	NUT60114EFXM6C
1/4-32 To M8 x 1	1/4	8mm	16mm	38mm	316 SS	NUT60214EFXM8F
1/4-32 To M8 x 1	1/4	8mm	16mm	38mm	18-8 SS	NUT60114EFXM8F
1/4-32 To M8 x 1.25	1/4	8mm	16mm	38mm	316 SS	NUT60214EFXM8C
1/4-32 To M8 x 1.25	1/4	8mm	16mm	38mm	Alum	NUT72014EFXM8C
1/4-32 To M8 x 1.25	1/4	8mm	16mm	38mm	18-8 SS	NUT60114EFXM8C
1/4-32 To M10 x 1	1/4	10mm	16mm	38mm	316 SS	NUT60214EFXM10EF
1/4-32 To M10 x 1	1/4	10mm	16mm	38mm	18-8 SS	NUT60114EFXM10EF
1/4-32 To M10 x 1.25	1/4	10mm	16mm	38mm	316 SS	NUT60214EFXM10F
1/4-32 To M10 x 1.25	1/4	10mm	16mm	38mm	18-8 SS	NUT60114EFXM10F
1/4-32 To M10 x 1.5	1/4	10mm	16mm	38mm	316 SS	NUT60214EFXM10C
1/4-32 To M10 x 1.5	1/4	10mm	16mm	38mm	Alum	NUT72014EFXM10C
1/4-32 To M10 x 1.5	1/4	10mm	16mm	38mm	18-8 SS	NUT60114EFXM10C
1/4-32 To M12 x 1.25	1/4	12mm	18mm	38mm	316 SS	NUT60214EFXM12EF
1/4-32 To M12 x 1.25	1/4	12mm	18mm	38mm	18-8 SS	NUT60114EFXM12EF
1/4-32 To M12 x 1.5	1/4	12mm	18mm	38mm	316 SS	NUT60214EFXM12F
1/4-32 To M12 x 1.5	1/4	12mm	18mm	38mm	18-8 SS	NUT60114EFXM12F
1/4-32 To M12 x 1.75	1/4	12mm	18mm	38mm	316 SS	NUT60214EFXM12C
1/4-32 To M12 x 1.75	1/4	12mm	18mm	38mm	18-8 SS	NUT60114EFXM12C
5/16-18 To M10 x 1	5/16	10mm	16mm	38mm	18-8 SS	NUT60151CXM10EF
5/16-18 To M5 x 0.5	5/16	5mm	16mm	38mm	18-8 SS	NUT60151CXM5F
5/16-18 To M5 x 0.8	5/16	5mm	16mm	38mm	316 SS	NUT60251CXM5C
5/16-18 To M6 x 0.75	5/16	6mm	16mm	38mm	18-8 SS	NUT60151CXM6F
5/16-18 To M6 x 1	5/16	6mm	16mm	38mm	316 SS	NUT60251CXM6C
5/16-18 To M8 x 1	5/16	8mm	16mm	38mm	316 SS	NUT60251CXM8F
5/16-18 To M8 x 1	5/16	8mm	16mm	38mm	Alum	NUT72051CXM8F
5/16-18 To M8 x 1	5/16	8mm	16mm	38mm	18-8 SS	NUT60151CXM8F

## Female Hex Thread Adapters – Inch to Metric



Thread Size (A To B)	Thread Lg. (A)	Thread Lg. (B)	Hex Size	Length	Material Type	Part Number
5/16-18 To M8 x 1.25	5/16	8mm	16mm	38mm	18-8 SS	NUT60151XM8
5/16-18 To M8 x 1.25	5/16	8mm	16mm	38mm	316 SS	NUT60251CXM8C
5/16-18 To M10 x 1	5/16	10mm	16mm	38mm	316 SS	NUT60251CXM10EF
5/16-18 To M10 x 1	5/16	10mm	16mm	38mm	Alum	NUT72051CXM10EF
5/16-18 To M10 x 1.25	5/16	10mm	16mm	38mm	316 SS	NUT60251CXM10F
5/16-18 To M10 x 1.25	5/16	10mm	16mm	38mm	Alum	NUT72051CXM10F
5/16-18 To M10 x 1.25	5/16	10mm	16mm	38mm	18-8 SS	NUT60151CXM10F
5/16-18 To M10 x 1.5	5/16	10mm	16mm	38mm	316 SS	NUT60251CXM10C
5/16-18 To M10 x 1.5	5/16	10mm	16mm	38mm	Alum	NUT72051CXM10C
5/16-18 To M10 x 1.5	5/16	10mm	16mm	38mm	18-8 SS	NUT60151XM10
5/16-18 To M12 x 1.25	5/16	12mm	18mm	38mm	18-8 SS	NUT60151CXM12EF
5/16-18 To M12 x 1.25	5/16	12mm	18mm	38mm	316 SS	NUT60251CXM12EF
5/16-18 To M12 x 1.25	5/16	12mm	18mm	38mm	Alum	NUT72051CXM12EF
5/16-18 To M12 x 1.5	5/16	12mm	18mm	38mm	18-8 SS	NUT60151CXM12F
5/16-18 To M12 x 1.5	5/16	12mm	18mm	38mm	316 SS	NUT60251CXM12F
5/16-18 To M12 x 1.5	5/16	12mm	18mm	38mm	Alum	NUT72051CXM12F
5/16-18 To M12 x 1.75	5/16	12mm	18mm	38mm	18-8 SS	NUT60151CXM12C
5/16-18 To M12 x 1.75	5/16	12mm	18mm	38mm	316 SS	NUT60251CXM12C
5/16-18 To M12 x 1.75	5/16	12mm	18mm	38mm	Alum	NUT72051CXM12C
5/16-24 To M5 x 0.5	5/16	5mm	16mm	38mm	18-8 SS	NUT60151FXM5F
5/16-24 To M5 x 0.8	5/16	5mm	16mm	38mm	18-8 SS	NUT60151FXM5C
5/16-24 To M5 x 0.8	5/16	5mm	16mm	38mm	316 SS	NUT60251FXM5C
5/16-24 To M5 x 0.8	5/16	5mm	16mm	38mm	Alum	NUT72051FXM5C
5/16-24 To M6 x 0.75	5/16	6mm	16mm	38mm	18-8 SS	NUT60151FXM6F
5/16-24 To M6 x 1	5/16	6mm	16mm	38mm	316 SS	NUT60251FXM6C
5/16-24 To M6 x 1	5/16	6mm	16mm	38mm	Alum	NUT72051FXM6C
5/16-24 To M6 x 1	5/16	6mm	16mm	38mm	18-8 SS	NUT60151FXM6C
5/16-24 To M8 x 1	5/16	8mm	16mm	38mm	18-8 SS	NUT60151FXM8F
5/16-24 To M8 x 1	5/16	8mm	16mm	38mm	316 SS	NUT60251FXM8F
5/16-24 To M8 x 1	5/16	8mm	16mm	38mm	Alum	NUT72051FXM8F
5/16-24 To M8 x 1.25	5/16	8mm	16mm	38mm	316 SS	NUT60251FXM8C
5/16-24 To M8 x 1.25	5/16	8mm	16mm	38mm	Alum	NUT72051FXM8C
5/16-24 To M8 x 1.25	5/16	8mm	16mm	38mm	18-8 SS	NUT60151FXM8C
5/16-24 To M10 x 1	5/16	10mm	16mm	38mm	316 SS	NUT60251FXM10EF
5/16-24 To M10 x 1	5/16	10mm	16mm	38mm	18-8 SS	NUT60151FXM10EF
5/16-24 To M10 x 1.25	5/16	10mm	16mm	38mm	18-8 SS	NUT60151FXM10F
5/16-24 To M10 x 1.25	5/16	10mm	16mm	38mm	316 SS	NUT60251FXM10F

## Female Hex Thread Adapters – Inch to Metric



Thread Size (A To B)	Thread Lg. (A)	Thread Lg. (B)	Hex Size	Length	Material Type	Part Number
5/16-24 To M10 x 1.25	5/16	10mm	16mm	38mm	Alum	NUT72051FXM10F
5/16-24 To M10 x 1.5	5/16	10mm	16mm	38mm	18-8 SS	NUT60151FXM10C
5/16-24 To M10 x 1.5	5/16	10mm	16mm	38mm	316 SS	NUT60251FXM10C
5/16-24 To M10 x 1.5	5/16	10mm	16mm	38mm	Alum	NUT72051FXM10C
5/16-24 To M12 x 1.25	5/16	12mm	18mm	38mm	18-8 SS	NUT60151FXM12EF
5/16-24 To M12 x 1.25	5/16	12mm	18mm	38mm	316 SS	NUT60251FXM12EF
5/16-24 To M12 x 1.25	5/16	12mm	18mm	38mm	Alum	NUT72051FXM12EF
5/16-24 To M12 x 1.5	5/16	12mm	18mm	38mm	18-8 SS	NUT60151FXM12F
5/16-24 To M12 x 1.5	5/16	12mm	18mm	38mm	316 SS	NUT60251FXM12F
5/16-24 To M12 x 1.5	5/16	12mm	18mm	38mm	Alum	NUT72051FXM12C
5/16-24 To M12 x 1.75	5/16	12mm	18mm	38mm	18-8 SS	NUT60151FXM12C
5/16-24 To M12 x 1.75	5/16	12mm	18mm	38mm	316 SS	NUT60251FXM12C
5/16-24 To M12 x 1.75	5/16	12mm	18mm	38mm	Alum	NUT72051FXM12C
5/16-32 To M5 x 0.5	5/16	5mm	16mm	38mm	18-8 SS	NUT60151EFXM5F
5/16-32 To M5 x 0.8	5/16	5mm	16mm	38mm	18-8 SS	NUT60151EFXM5C
5/16-32 To M5 x 0.8	5/16	5mm	16mm	38mm	316 SS	NUT60251EFXM5C
5/16-32 To M5 x 0.8	5/16	5mm	16mm	38mm	Alum	NUT72051EFXM5C
5/16-32 To M6 x 0.75	5/16	6mm	16mm	38mm	18-8 SS	NUT60151EFXM6F
5/16-32 To M6 x 1	5/16	6mm	16mm	38mm	18-8 SS	NUT60151EFXM6C
5/16-32 To M6 x 1	5/16	6mm	16mm	38mm	316 SS	NUT60251EFXM6C
5/16-32 To M6 x 1	5/16	6mm	16mm	38mm	Alum	NUT72051EFXM6C
5/16-32 To M8 x 1	5/16	8mm	16mm	38mm	18-8 SS	NUT60151EFXM8F
5/16-32 To M8 x 1	5/16	8mm	16mm	38mm	316 SS	NUT60251EFXM8F
5/16-32 To M8 x 1.25	5/16	8mm	16mm	38mm	18-8 SS	NUT60151EFXM8C
5/16-32 To M8 x 1.25	5/16	8mm	16mm	38mm	316 SS	NUT60251EFXM8C
5/16-32 To M8 x 1.25	5/16	8mm	16mm	38mm	Alum	NUT72051EFXM8C
5/16-32 To M10 x 1	5/16	10mm	16mm	38mm	18-8 SS	NUT60151EFXM10EF
5/16-32 To M10 x 1	5/16	10mm	16mm	38mm	316 SS	NUT60251EFXM10EF
5/16-32 To M10 x 1.25	5/16	10mm	16mm	38mm	18-8 SS	NUT60151EFXM10F
5/16-32 To M10 x 1.25	5/16	10mm	16mm	38mm	316 SS	NUT60251EFXM10F
5/16-32 To M10 x 1.5	5/16	10mm	16mm	38mm	18-8 SS	NUT60151EFXM10C
5/16-32 To M10 x 1.5	5/16	10mm	16mm	38mm	316 SS	NUT60251EFXM10C
5/16-32 To M10 x 1.5	5/16	10mm	16mm	38mm	Alum	NUT72051EFXM10C
5/16-32 To M12 x 1.25	5/16	12mm	18mm	38mm	18-8 SS	NUT60151EFXM12EF
5/16-32 To M12 x 1.25	5/16	12mm	18mm	38mm	316 SS	NUT60251EFXM12EF
5/16-32 To M12 x 1.5	5/16	12mm	18mm	38mm	18-8 SS	NUT60151EFXM12F
5/16-32 To M12 x 1.5	5/16	12mm	18mm	38mm	316 SS	NUT60251EFXM12F
5/16-32 To M12 x 1.75	5/16	12mm	18mm	38mm	18-8 SS	NUT60151EFXM12C
5/16-32 To M12 x 1.75	5/16	12mm	18mm	38mm	316 SS	NUT60251EFXM12C

## Female Hex Thread Adapters – Inch to Metric



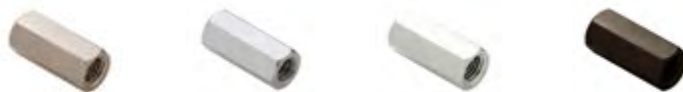
Thread Size (A To B)	Thread Lg. (A)	Thread Lg. (B)	Hex Size	Length	Material Type	Part Number
3/8-16 To M6 x 0.75	3/8	6mm	16mm	38mm	18-8 SS	NUT60138CXM6F
3/8-16 To M6 x 1	3/8	6mm	16mm	38mm	18-8 SS	NUT60138CXM6C
3/8-16 To M6 x 0.75	3/8	6mm	16mm	38mm	316 SS	NUT60238CXM6F
3/8-16 To M6 x 1	3/8	6mm	16mm	38mm	316 SS	NUT60238CXM6C
3/8-16 To M6 x 1	3/8	6mm	16mm	38mm	Alum	NUT72038CXM6C
3/8-16 To M8 x 1	3/8	8mm	16mm	38mm	18-8 SS	NUT60138CXM8F
3/8-16 To M8 x 1	3/8	8mm	16mm	38mm	316 SS	NUT60238CXM8F
3/8-16 To M8 x 1	3/8	8mm	16mm	38mm	Alum	NUT72038CXM8F
3/8-16 To M8 x 1.25	3/8	8mm	16mm	38mm	18-8 SS	NUT60138CXM8C
3/8-16 To M8 x 1.25	3/8	8mm	16mm	38mm	316 SS	NUT60238CXM8C
3/8-16 To M8 x 1.25	3/8	8mm	16mm	38mm	Alum	NUT72038CXM8C
3/8-16 To M10 x 1	3/8	10mm	16mm	38mm	18-8 SS	NUT60138CXM10EF
3/8-16 To M10 x 1	3/8	10mm	16mm	38mm	316 SS	NUT60238CXM10EF
3/8-16 To M10 x 1	3/8	10mm	16mm	38mm	Alum	NUT72038CXM10EF
3/8-16 To M10 x 1.25	3/8	10mm	16mm	38mm	18-8 SS	NUT60138CXM10F
3/8-16 To M10 x 1.25	3/8	10mm	16mm	38mm	316 SS	NUT60238CXM10F
3/8-16 To M10 x 1.25	3/8	10mm	16mm	38mm	Alum	NUT72038CXM10F
3/8-16 To M10 x 1.5	3/8	10mm	16mm	38mm	18-8 SS	NUT60138X10
3/8-16 To M10 x 1.5	3/8	10mm	16mm	38mm	316 SS	NUT60238CXM10C
3/8-16 To M10 x 1.5	3/8	10mm	16mm	38mm	Alum	NUT72038CXM10C
3/8-16 To M12 x 1.25	3/8	12mm	18mm	38mm	18-8 SS	NUT60138CXM12EF
3/8-16 To M12 x 1.25	3/8	12mm	18mm	38mm	316 SS	NUT60238CXM12EF
3/8-16 To M12 x 1.25	3/8	12mm	18mm	38mm	Alum	NUT72038CXM12EF
3/8-16 To M12 x 1.5	3/8	12mm	18mm	38mm	18-8 SS	NUT60138CXM12F
3/8-16 To M12 x 1.5	3/8	12mm	18mm	38mm	316 SS	NUT60238CXM12F
3/8-16 To M12 x 1.5	3/8	12mm	18mm	38mm	Alum	NUT72038CXM12F
3/8-16 To M12 x 1.75	3/8	12mm	16mm	38mm	18-8 SS	NUT60138XM12
3/8-16 To M12 x 1.75	3/8	12mm	18mm	38mm	316 SS	NUT60238CXM12C
3/8-16 To M12 x 1.75	3/8	12mm	18mm	38mm	Alum	NUT72038CXM12C
3/8-24 To M6 x 0.75	3/8	6mm	16mm	38mm	18-8 SS	NUT60138FXM6F
3/8-24 To M6 x 1	3/8	6mm	16mm	38mm	316 SS	NUT60238FXM6C
3/8-24 To M6 x 1	3/8	6mm	16mm	38mm	Alum	NUT72038FXM6C
3/8-24 To M6 x 1	3/8	6mm	16mm	38mm	18-8 SS	NUT60138FXM6C
3/8-24 To M8 x 1	3/8	8mm	16mm	38mm	316 SS	NUT60238FXM8F
3/8-24 To M8 x 1	3/8	8mm	16mm	38mm	Alum	NUT72038FXM8F
3/8-24 To M8 x 1	3/8	8mm	16mm	38mm	18-8 SS	NUT60138FXM8F
3/8-24 To M6 x 0.75	3/8	6mm	16mm	38mm	316 SS	NUT60238FXM6F
3/8-24 To M8 x 1.25	3/8	8mm	16mm	38mm	316 SS	NUT60238FXM8C

## Female Hex Thread Adapters – Inch to Metric



Thread Size (A To B)	Thread Lg. (A)	Thread Lg. (B)	Hex Size	Length	Material Type	Part Number
3/8-24 To M8 x 1.25	3/8	8mm	16mm	38mm	Alum	NUT72038FXM8C
3/8-24 To M8 x 1.25	3/8	8mm	16mm	38mm	18-8 SS	NUT60138FXM8C
3/8-24 To M10 x 1	3/8	10mm	16mm	38mm	316 SS	NUT60238FXM10EF
3/8-24 To M10 x 1	3/8	10mm	16mm	38mm	18-8 SS	NUT60138FXM10EF
3/8-24 To M10 x 1.25	3/8	10mm	16mm	38mm	316 SS	NUT60238FXM10F
3/8-24 To M10 x 1.25	3/8	10mm	16mm	38mm	Alum	NUT72038FXM10F
3/8-24 To M10 x 1.25	3/8	10mm	16mm	38mm	18-8 SS	NUT60138FXM10F
3/8-24 To M10 x 1.5	3/8	10mm	16mm	38mm	316 SS	NUT60238FXM10C
3/8-24 To M10 x 1.5	3/8	10mm	16mm	38mm	Alum	NUT72038FXM10C
3/8-24 To M10 x 1.5	3/8	10mm	16mm	38mm	18-8 SS	NUT60138FXM10C
3/8-24 To M12 x 1.25	3/8	12mm	18mm	38mm	316 SS	NUT60238FXM12EF
3/8-24 To M12 x 1.25	3/8	12mm	18mm	38mm	Alum	NUT72038FXM12EF
3/8-24 To M12 x 1.25	3/8	12mm	18mm	38mm	18-8 SS	NUT60138FXM12EF
3/8-24 To M12 x 1.5	3/8	12mm	18mm	38mm	18-8 SS	NUT60138FXM12F
3/8-24 To M12 x 1.5	3/8	12mm	18mm	38mm	316 SS	NUT60238FXM12F
3/8-24 To M12 x 1.75	3/8	12mm	18mm	38mm	18-8 SS	NUT60138FXM12C
3/8-24 To M12 x 1.75	3/8	12mm	18mm	38mm	316 SS	NUT60238FXM12C
3/8-24 To M12 x 1.75	3/8	12mm	18mm	38mm	Alum	NUT72038FXM12C
3/8-32 To M6 x 0.75	3/8	6mm	16mm	38mm	18-8 SS	NUT60138EFXM6F
3/8-32 To M6 x 1	3/8	6mm	16mm	38mm	18-8 SS	NUT60138EFXM6C
3/8-32 To M6 x 1	3/8	6mm	16mm	38mm	316 SS	NUT60238EFXM6C
3/8-32 To M6 x 1	3/8	6mm	16mm	38mm	Alum	NUT72038EFXM6C
3/8-32 To M8 x 1	3/8	8mm	16mm	38mm	18-8 SS	NUT60138EFXM8F
3/8-32 To M8 x 1	3/8	8mm	16mm	38mm	316 SS	NUT60238EFXM8F
3/8-32 To M8 x 1.25	3/8	8mm	16mm	38mm	18-8 SS	NUT60138EFXM8C
3/8-32 To M8 x 1.25	3/8	8mm	16mm	38mm	316 SS	NUT60238EFXM8C
3/8-32 To M8 x 1.25	3/8	8mm	16mm	38mm	Alum	NUT72038EFXM8C
3/8-32 To M10 x 1	3/8	10mm	16mm	38mm	18-8 SS	NUT60138EFXM10EF
3/8-32 To M10 x 1	3/8	10mm	16mm	38mm	316 SS	NUT60238EFXM10EF
3/8-32 To M10 x 1.25	3/8	10mm	16mm	38mm	18-8 SS	NUT60138EFXM10F
3/8-32 To M10 x 1.25	3/8	10mm	16mm	38mm	316 SS	NUT60238EFXM10F
3/8-32 To M10 x 1.25	3/8	10mm	16mm	38mm	Alum	NUT72038EFXM10F
3/8-32 To M10 x 1.5	3/8	10mm	16mm	38mm	18-8 SS	NUT60138EFXM10C
3/8-32 To M10 x 1.5	3/8	10mm	16mm	38mm	316 SS	NUT60238EFXM10C
3/8-32 To M10 x 1.5	3/8	10mm	16mm	38mm	Alum	NUT72038EFXM10C
3/8-32 To M12 x 1.25	3/8	12mm	18mm	38mm	18-8 SS	NUT60138EFXM12EF

## Female Hex Thread Adapters – Inch to Metric



Thread Size (A To B)	Thread Lg. (A)	Thread Lg. (B)	Hex Size	Length	Material Type	Part Number
3/8-32 To M12 x 1.25	3/8	12mm	18mm	38mm	316 SS	NUT60238EFXM12EF
3/8-32 To M12 x 1.25	3/8	12mm	18mm	38mm	Alum	NUT72038EFXM12EF
3/8-32 To M12 x 1.5	3/8	12mm	18mm	38mm	18-8 SS	NUT60138EFXM12F
3/8-32 To M12 x 1.5	3/8	12mm	18mm	38mm	316 SS	NUT60238EFXM12F
3/8-32 To M12 x 1.75	3/8	12mm	18mm	38mm	18-8 SS	NUT60138EFXM12C
3/8-32 To M12 x 1.75	3/8	12mm	18mm	38mm	316 SS	NUT60238EFXM12C
3/8-32 To M12 x 1.75	3/8	12mm	18mm	38mm	Alum	NUT72038EFXM12C
1/2-13 To M6 x 0.75	1/2	6mm	18mm	38mm	316 SS	NUT60212CXM6F
1/2-13 To M6 x 0.75	1/2	6mm	18mm	38mm	18-8 SS	NUT60112CXM6F
1/2-13 To M6 x 1	1/2	6mm	18mm	38mm	316 SS	NUT60212CXM6C
1/2-13 To M6 x 1	1/2	6mm	18mm	38mm	Alum	NUT72012CXM6C
1/2-13 To M6 x 1	1/2	6mm	18mm	38mm	18-8 SS	NUT60112CXM6C
1/2-13 To M8 x 1	1/2	8mm	18mm	38mm	316 SS	NUT60212CXM8F
1/2-13 To M8 x 1	1/2	8mm	18mm	38mm	Alum	NUT72012CXM8F
1/2-13 To M8 x 1	1/2	8mm	18mm	38mm	18-8 SS	NUT60112CXM8F
1/2-13 To M8 x 1.25	1/2	8mm	18mm	38mm	316 SS	NUT60212CXM8C
1/2-13 To M8 x 1.25	1/2	8mm	18mm	38mm	Alum	NUT72012CXM8C
1/2-13 To M8 x 1.25	1/2	8mm	18mm	38mm	18-8 SS	NUT60112CXM8C
1/2-13 To M10 x 1	1/2	10mm	18mm	38mm	316 SS	NUT60212CXM10EF
1/2-13 To M10 x 1	1/2	10mm	18mm	38mm	Alum	NUT72012CXM10EF
1/2-13 To M10 x 1	1/2	10mm	18mm	38mm	18-8 SS	NUT60112CXM10EF
1/2-13 To M10 x 1.25	1/2	10mm	18mm	38mm	18-8 SS	NUT60112CXM10F
1/2-13 To M10 x 1.25	1/2	10mm	18mm	38mm	316 SS	NUT60212CXM10F
1/2-13 To M10 x 1.25	1/2	10mm	18mm	38mm	Alum	NUT72012CXM10F
1/2-13 To M10 x 1.5	1/2	10mm	18mm	38mm	18-8 SS	NUT60112CXM10C
1/2-13 To M10 x 1.5	1/2	10mm	18mm	38mm	316 SS	NUT60212CXM10C
1/2-13 To M10 x 1.5	1/2	10mm	18mm	38mm	Alum	NUT72012CXM10C
1/2-13 To M12 x 1.25	1/2	12mm	18mm	38mm	18-8 SS	NUT60112CXM12EF
1/2-13 To M12 x 1.25	1/2	12mm	18mm	38mm	316 SS	NUT60212CXM12EF
1/2-13 To M12 x 1.25	1/2	12mm	18mm	38mm	Alum	NUT72012CXM12EF
1/2-13 To M12 x 1.5	1/2	12mm	18mm	38mm	18-8 SS	NUT60112CXM12F
1/2-13 To M12 x 1.5	1/2	12mm	18mm	38mm	316 SS	NUT60212CXM12F
1/2-13 To M12 x 1.5	1/2	12mm	18mm	38mm	Alum	NUT72012CXM12F
1/2-13 To M12 x 1.75	1/2	12mm	18mm	38mm	18-8 SS	NUT60112XM12
1/2-13 To M12 x 1.75	1/2	12mm	18mm	38mm	316 SS	NUT60212CXM12C
1/2-13 To M12 x 1.75	1/2	12mm	18mm	38mm	Alum	NUT72012CXM12C

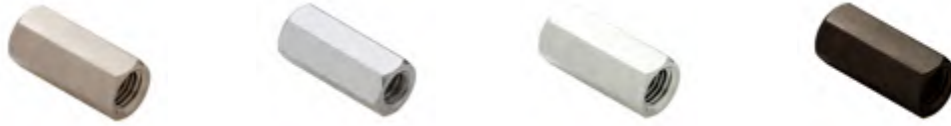
18-8 SS, 316 SS,  
Steel, Alum

## Female Hex Thread Adapters – Inch to Metric



Thread Size (A To B)	Thread Lg. (A)	Thread Lg. (B)	Hex Size	Length	Material Type	Part Number
1/2-13 To M16 x 2	1/2	16mm	21mm	54mm	18-8 SS	NUT60112XM16
1/2-13 To M16 x 2	1/2	16mm	21mm	54mm	316 SS	NUT60212CXM16C
1/2-13 To M16 x 2	1/2	16mm	21mm	54mm	Alum	NUT72012CXM16C
1/2-20 To M6 x 0.75	1/2	6mm	18mm	38mm	316 SS	NUT60212FXM6F
1/2-20 To M6 x 0.75	1/2	6mm	18mm	38mm	18-8 SS	NUT60112FXM6F
1/2-20 To M6 x 1	1/2	6mm	18mm	38mm	316 SS	NUT60212FXM6C
1/2-20 To M6 x 1	1/2	6mm	18mm	38mm	Alum	NUT72012FXM6C
1/2-20 To M6 x 1	1/2	6mm	18mm	38mm	18-8 SS	NUT60112FXM6C
1/2-20 To M8 x 1	1/2	8mm	18mm	38mm	316 SS	NUT60212FXM8F
1/2-20 To M8 x 1	1/2	8mm	18mm	38mm	Alum	NUT72012FXM8F
1/2-20 To M8 x 1	1/2	8mm	18mm	38mm	18-8 SS	NUT60112FXM8F
1/2-20 To M8 x 1.25	1/2	8mm	18mm	38mm	316 SS	NUT60212FXM8C
1/2-20 To M8 x 1.25	1/2	8mm	18mm	38mm	Alum	NUT72012FXM8C
1/2-20 To M8 x 1.25	1/2	8mm	18mm	38mm	18-8 SS	NUT60112FXM8C
1/2-20 To M10 x 1	1/2	10mm	18mm	38mm	316 SS	NUT60212FXM10EF
1/2-20 To M10 x 1	1/2	10mm	18mm	38mm	Alum	NUT72012FXM10EF
1/2-20 To M10 x 1	1/2	10mm	18mm	38mm	18-8 SS	NUT60112FXM10EF
1/2-20 To M10 x 1.25	1/2	10mm	18mm	38mm	316 SS	NUT60212FXM10F
1/2-20 To M10 x 1.25	1/2	10mm	18mm	38mm	Alum	NUT72012FXM10F
1/2-20 To M10 x 1.25	1/2	10mm	18mm	38mm	18-8 SS	NUT60112FXM10F
1/2-20 To M10 x 1.5	1/2	10mm	18mm	38mm	18-8 SS	NUT60112FXM10C
1/2-20 To M10 x 1.5	1/2	10mm	18mm	38mm	316 SS	NUT60212FXM10C
1/2-20 To M10 x 1.5	1/2	10mm	18mm	38mm	Alum	NUT72012FXM10C
1/2-20 To M12 x 1.25	1/2	12mm	18mm	38mm	18-8 SS	NUT60112FXM12EF
1/2-20 To M12 x 1.25	1/2	12mm	18mm	38mm	316 SS	NUT60212FXM12EF
1/2-20 To M12 x 1.25	1/2	12mm	18mm	38mm	Alum	NUT72012FXM12EF
1/2-20 To M12 x 1.5	1/2	12mm	18mm	38mm	316 SS	NUT60212FXM12F
1/2-20 To M12 x 1.5	1/2	12mm	18mm	38mm	Alum	NUT72012FXM12F
1/2-20 To M12 x 1.5	1/2	12mm	18mm	38mm	18-8 SS	NUT60112FXM12F
1/2-20 To M12 x 1.75	1/2	12mm	18mm	38mm	316 SS	NUT60212FXM12C
1/2-20 To M12 x 1.75	1/2	12mm	18mm	38mm	Alum	NUT72012FXM12C
1/2-20 To M12 x 1.75	1/2	12mm	18mm	38mm	18-8 SS	NUT60112FXM12C
1/2-20 To M16 x 2	1/2	16mm	21mm	54mm	316 SS	NUT60212FXM16C
1/2-20 To M16 x 2	1/2	16mm	21mm	54mm	Alum	NUT72012FXM16C
1/2-20 To M16 x 2	1/2	16mm	21mm	54mm	18-8 SS	NUT60112FXM16C
1/2-28 To M6 x 0.75	1/2	6mm	18mm	38mm	18-8 SS	NUT60112EFXM6F
1/2-28 To M6 x 1	1/2	6mm	18mm	38mm	316 SS	NUT60212EFXM6C

## Female Hex Thread Adapters – Inch to Metric



Thread Size (A To B)	Thread Lg. (A)	Thread Lg. (B)	Hex Size	Length	Material Type	Part Number
1/2-28 To M6 x 1	1/2	6mm	18mm	38mm	Alum	NUT72012EFXM6C
1/2-28 To M6 x 1	1/2	6mm	18mm	38mm	18-8 SS	NUT60112EFXM6C
1/2-28 To M8 x 1	1/2	8mm	18mm	38mm	316 SS	NUT60212EFXM8F
1/2-28 To M8 x 1	1/2	8mm	18mm	38mm	18-8 SS	NUT60112EFXM8F
1/2-28 To M8 x 1.25	1/2	8mm	18mm	38mm	316 SS	NUT60212EFXM8C
1/2-28 To M8 x 1.25	1/2	8mm	18mm	38mm	Alum	NUT72012EFXM8C
1/2-28 To M8 x 1.25	1/2	8mm	18mm	38mm	18-8 SS	NUT60112EFXM8C
1/2-28 To M10 x 1	1/2	10mm	18mm	38mm	316 SS	NUT60212EFXM10EF
1/2-28 To M10 x 1	1/2	10mm	18mm	38mm	Alum	NUT72012EFXM10EF
1/2-28 To M10 x 1	1/2	10mm	18mm	38mm	18-8 SS	NUT60112EFXM10EF
1/2-28 To M10 x 1.25	1/2	10mm	18mm	38mm	316 SS	NUT60212EFXM10F
1/2-28 To M10 x 1.25	1/2	10mm	18mm	38mm	Alum	NUT72012EFXM10F
1/2-28 To M10 x 1.25	1/2	10mm	18mm	38mm	18-8 SS	NUT60112EFXM10F
1/2-28 To M10 x 1.5	1/2	10mm	18mm	38mm	316 SS	NUT60212EFXM10C
1/2-28 To M10 x 1.5	1/2	10mm	18mm	38mm	Alum	NUT72012EFXM10C
1/2-28 To M10 x 1.5	1/2	10mm	18mm	38mm	18-8 SS	NUT60112EFXM10C
1/2-28 To M12 x 1.25	1/2	12mm	18mm	38mm	18-8 SS	NUT60112EFXM12EF
1/2-28 To M12 x 1.25	1/2	12mm	18mm	38mm	316 SS	NUT60212EFXM12EF
1/2-28 To M12 x 1.25	1/2	12mm	18mm	38mm	Alum	NUT72012EFXM12EF
1/2-28 To M12 x 1.5	1/2	12mm	18mm	38mm	316 SS	NUT60212EFXM12F
1/2-28 To M12 x 1.5	1/2	12mm	18mm	38mm	18-8 SS	NUT60112EFXM12F
1/2-28 To M12 x 1.75	1/2	12mm	18mm	38mm	316 SS	NUT60212EFXM12C
1/2-28 To M12 x 1.75	1/2	12mm	18mm	38mm	Alum	NUT72012EFXM12C
1/2-28 To M12 x 1.75	1/2	12mm	18mm	38mm	18-8 SS	NUT60112EFXM12C
1/2-28 To M16 x 2	1/2	16mm	21mm	54mm	316 SS	NUT60212EFXM16C
1/2-28 To M16 x 2	1/2	16mm	21mm	54mm	Alum	NUT72012EFXM16C
1/2-28 To M16 x 2	1/2	16mm	21mm	54mm	18-8 SS	NUT60112EFXM16C

## Female Hex Thread Adapters – Metric to Metric



Thread Size (A To B)	Thread Lg. (A)	Thread Lg. (B)	Hex Size	Length	Material Type	Part Number
M3 x 0.35 To M3 x 0.5	3mm	3mm	8mm	15mm	18-8 SS	NUT601M3FXM3C
M3 x 0.35 To M3 x 0.5	3mm	3mm	8mm	15mm	316 SS	NUT602M3FXM3C
M3 x 0.35 To M4 x 0.7	3mm	4mm	10mm	18mm	18-8 SS	NUT601M3FXM4C
M3 x 0.35 To M4 x 0.7	3mm	4mm	10mm	18mm	316 SS	NUT602M3FXM4C
M3 x 0.35 To M2.5 x 0.45	3mm	3mm	8mm	15mm	18-8 SS	NUT601M3FXM2.5C
M3 x 0.35 To M2.5 x 0.45	3mm	3mm	8mm	15mm	316 SS	NUT602M3FXM2.5C
M3 x 0.5 To M4 x 0.5	3mm	4mm	10mm	18mm	18-8 SS	NUT601M3CXM4F
M3 x 0.5 To M4 x 0.7	3mm	4mm	10mm	18mm	316 SS	NUT602M3CXM4C
M3 x 0.5 To M2.5 x 0.45	3mm	3mm	8mm	15mm	316 SS	NUT602M3CXM2.5C
M4 x 0.5 To M4 x 0.7	4mm	4mm	10mm	18mm	18-8 SS	NUT601M4FXM4C
M4 x 0.5 To M4 x 0.7	4mm	4mm	10mm	18mm	316 SS	NUT602M4FXM4C
M4 x 0.5 To M5 x 0.5	4mm	4mm	13mm	25mm	18-8 SS	NUT601M4FXM5F
M4 x 0.5 To M5 x 0.8	4mm	4mm	13mm	25mm	18-8 SS	NUT601M4FXM5C
M4 x 0.5 To M5 x 0.8	4mm	4mm	13mm	25mm	316 SS	NUT602M4FXM5C
M4 x 0.7 To M5 x 0.5	4mm	4mm	13mm	25mm	18-8 SS	NUT601M4CXM5F
M4 x 0.7 To M5 x 0.8	4mm	5mm	13mm	25mm	18-8 SS	NUT601M4XM5
M4 x 0.7 To M5 x 0.8	4mm	5mm	13mm	25mm	316 SS	NUT602M4CXM8C
M4 x 0.8 To M6 x 1	4mm	6mm	13mm	25mm	18-8 SS	NUT601M4XM6
M5 x 0.5 To M5 x 0.8	5mm	5mm	13mm	25mm	18-8 SS	NUT601M5FXM5C
M5 x 0.5 To M5 x 0.8	5mm	5mm	13mm	25mm	316 SS	NUT602M5FXM5C
M5 x 0.5 To M6 x 0.75	5mm	6mm	13mm	25mm	18-8 SS	NUT601M5FXM6F
M5 x 0.5 To M6 x 1	5mm	6mm	13mm	25mm	18-8 SS	NUT601M5FXM6C
M5 x 0.5 To M6 x 1	5mm	6mm	13mm	25mm	316 SS	NUT602M5FXM6C
M5 x 0.8 To M6 x 0.75	5mm	6mm	13mm	25mm	18-8 SS	NUT601M5CXM6F
M5 x 0.8 To M6 x 1	5mm	6mm	13mm	25mm	316 SS	NUT602M5CXM6C
M6 x 0.75 To M6 x 1	6mm	6mm	16mm	38mm	18-8 SS	NUT601M6FXM6C
M6 x 0.75 To M6 x 1	6mm	6mm	16mm	38mm	316 SS	NUT602M6FXM6C
M6 x 0.75 To M6 x 1	6mm	6mm	16mm	38mm	Alum	NUT720M6FXM6C
M6 x 0.75 To M8 x 1	6mm	8mm	16mm	38mm	18-8 SS	NUT601M6FXM8F
M6 x 0.75 To M8 x 1	6mm	8mm	16mm	38mm	316 SS	NUT602M6FXM8F
M6 x 0.75 To M8 x 1.25	6mm	8mm	16mm	38mm	18-8 SS	NUT601M6FXM8C
M6 x 0.75 To M8 x 1.25	6mm	8mm	16mm	38mm	316 SS	NUT602M6FXM8C

## Female Hex Thread Adapters – Metric to Metric



Thread Size (A To B)	Thread Lg. (A)	Thread Lg. (B)	Hex Size	Length	Material Type	Part Number
M6 x 0.75 To M8 x 1.25	6mm	8mm	16mm	38mm	Alum	NUT720M6FXM8C
M6 x 1 To M8 x 1	6mm	8mm	16mm	38mm	18-8 SS	NUT601M6CXM8F
M6 x 1 To M8 x 1	6mm	8mm	16mm	38mm	316 SS	NUT602M6CXM8F
M6 x 1 To M8 x 1	6mm	8mm	16mm	38mm	Alum	NUT720M6CXM8F
M6 x 1 To M8 x 1.25	6mm	8mm	16mm	38mm	316 SS	NUT602M6CXM8C
M6 x 1 To M8 x 1.25	6mm	8mm	16mm	38mm	18-8 SS	NUT601M6XM8
M8 x 1 To M8 x 1.25	8mm	8mm	16mm	38mm	18-8 SS	NUT601M8FXM8C
M8 x 1 To M8 x 1.25	8mm	8mm	16mm	38mm	316 SS	NUT602M8FXM8C
M8 x 1 To M8 x 1.25	8mm	8mm	16mm	38mm	Alum	NUT720M8FXM8C
M8 x 1 To M10 x 1	8mm	10mm	16mm	38mm	18-8 SS	NUT601M8FXM10EF
M8 x 1 To M10 x 1	8mm	10mm	16mm	38mm	316 SS	NUT602M8FXM10EF
M8 x 1 To M10 x 1	8mm	10mm	16mm	38mm	Alum	NUT720M8FXM10EF
M8 x 1 To M10 x 1.25	8mm	10mm	16mm	38mm	18-8 SS	NUT601M8FXM10F
M8 x 1 To M10 x 1.25	8mm	10mm	16mm	38mm	316 SS	NUT602M8FXM10F
M8 x 1 To M10 x 1.25	8mm	10mm	16mm	38mm	Alum	NUT720M8FXM10F
M8 x 1 To M10 x 1.5	8mm	10mm	16mm	38mm	18-8 SS	NUT601M8FXM10C
M8 x 1 To M10 x 1.5	8mm	10mm	16mm	38mm	316 SS	NUT602M8FXM10C
M8 x 1 To M10 x 1.5	8mm	10mm	16mm	38mm	Alum	NUT720M8FXM10C
M8 x 1.25 To M10 x 1	8mm	10mm	16mm	38mm	18-8 SS	NUT601M8CXM10EF
M8 x 1.25 To M10 x 1	8mm	10mm	16mm	38mm	316 SS	NUT602M8CXM10EF
M8 x 1.25 To M10 x 1	8mm	10mm	16mm	38mm	Alum	NUT720M8CXM10EF
M8 x 1.25 To M10 x 1.25	8mm	10mm	16mm	38mm	18-8 SS	NUT601M8CXM10F
M8 x 1.25 To M10 x 1.25	8mm	10mm	16mm	38mm	316 SS	NUT602M8CXM10F
M8 x 1.25 To M10 x 1.25	8mm	10mm	16mm	38mm	Alum	NUT720M8CXM10F
M8 x 1.25 To M10 x 1.5	8mm	10mm	16mm	38mm	18-8 SS	NUT601M8XM10
M8 x 1.25 To M10 x 1.5	8mm	10mm	16mm	38mm	316 SS	NUT602M8CXM10C
M8 x 1.25 To M10 x 1.5	8mm	10mm	16mm	38mm	Alum	NUT720M8CXM10C
M10 x 1 To M10 x 1.25	10mm	10mm	16mm	38mm	18-8 SS	NUT601M10EFXM10F
M10 x 1 To M10 x 1.25	10mm	10mm	16mm	38mm	316 SS	NUT602M10EFXM10F
M10 x 1 To M10 x 1.25	10mm	10mm	16mm	38mm	Alum	NUT720M10EFXM10F
M10 x 1 To M10 x 1.5	10mm	10mm	16mm	38mm	18-8 SS	NUT601M10EFXM10C
M10 x 1 To M10 x 1.5	10mm	10mm	16mm	38mm	316 SS	NUT602M10EFXM10C
M10 x 1 To M10 x 1.5	10mm	10mm	16mm	38mm	Alum	NUT720M10EFXM10C
M10 x 1 To M12 x 1.25	10mm	12mm	16mm	38mm	18-8 SS	NUT601M10EFXM12EF
M10 x 1 To M12 x 1.25	10mm	12mm	16mm	38mm	316 SS	NUT602M10EFXM12EF
M10 x 1 To M12 x 1.25	10mm	12mm	16mm	38mm	Alum	NUT720M10EFXM12EF

## Female Hex Thread Adapters – Metric to Metric



Thread Size (A To B)	Thread Lg. (A)	Thread Lg. (B)	Hex Size	Length	Material Type	Part Number
M10 x 1 To M12 x 1.5	10mm	12mm	16mm	38mm	18-8 SS	NUT601M10EFXM12F
M10 x 1 To M12 x 1.5	10mm	12mm	16mm	38mm	316 SS	NUT602M10EFXM12F
M10 x 1 To M12 x 1.75	10mm	12mm	16mm	38mm	18-8 SS	NUT601M10EFXM12C
M10 x 1 To M12 x 1.75	10mm	12mm	16mm	38mm	316 SS	NUT602M10EFXM12C
M10 x 1 To M12 x 1.75	10mm	12mm	16mm	38mm	Alum	NUT720M10EFXM12C
M10 x 1.25 To M10 x 1.5	10mm	10mm	16mm	38mm	18-8 SS	NUT601M10FXM10C
M10 x 1.25 To M10 x 1.5	10mm	10mm	16mm	38mm	316 SS	NUT602M10FXM10C
M10 x 1.25 To M10 x 1.5	10mm	10mm	16mm	38mm	Alum	NUT720M10FXM10C
M10 x 1.25 To M12 x 1.25	10mm	12mm	16mm	38mm	18-8 SS	NUT601M10FXM12EF
M10 x 1.25 To M12 x 1.25	10mm	12mm	16mm	38mm	316 SS	NUT602M10FXM12EF
M10 x 1.25 To M12 x 1.25	10mm	12mm	16mm	38mm	Alum	NUT720M10FXM12EF
M10 x 1.25 To M12 x 1.5	10mm	12mm	16mm	38mm	18-8 SS	NUT601M10FXM12F
M10 x 1.25 To M12 x 1.5	10mm	12mm	16mm	38mm	316 SS	NUT602M10FXM12F
M10 x 1.25 To M12 x 1.5	10mm	12mm	16mm	38mm	Alum	NUT720M10FXM12F
M10 x 1.25 To M12 x 1.75	10mm	12mm	16mm	38mm	18-8 SS	NUT601M10FXM12C
M10 x 1.25 To M12 x 1.75	10mm	12mm	16mm	38mm	316 SS	NUT602M10FXM12C
M10 x 1.25 To M12 x 1.75	10mm	12mm	16mm	38mm	Alum	NUT720M10FXM12C
M10 x 1.5 To M12 x 1.25	10mm	12mm	16mm	38mm	18-8 SS	NUT601M10CXM12EF
M10 x 1.5 To M12 x 1.25	10mm	12mm	16mm	38mm	316 SS	NUT602M10CXM12EF
M10 x 1.5 To M12 x 1.25	10mm	12mm	16mm	38mm	Alum	NUT720M10CXM12EF
M10 x 1.5 To M12 x 1.5	10mm	12mm	16mm	38mm	18-8 SS	NUT601M10CXM12F
M10 x 1.5 To M12 x 1.5	10mm	12mm	16mm	38mm	316 SS	NUT602M10CXM12F
M10 x 1.5 To M12 x 1.5	10mm	12mm	16mm	38mm	Alum	NUT720M10CXM12F
M10 x 1.5 To M12 x 1.75	10mm	12mm	16mm	38mm	18-8 SS	NUT601M10XM12
M10 x 1.5 To M12 x 1.75	10mm	12mm	16mm	38mm	316 SS	NUT602M10CXM12C
M10 x 1.5 To M12 x 1.75	10mm	12mm	16mm	38mm	Alum	NUT720M10CXM12C
M12 x 1.25 To M12 x 1.5	12mm	12mm	21mm	54mm	18-8 SS	NUT601M12EFXM12F
M12 x 1.25 To M12 x 1.5	12mm	12mm	21mm	54mm	316 SS	NUT602M12EFXM12F
M12 x 1.25 To M12 x 1.5	12mm	12mm	21mm	54mm	Alum	NUT720M12EFXM12F
M12 x 1.25 To M12 x 1.75	12mm	12mm	21mm	54mm	18-8 SS	NUT601M12EFXM12C
M12 x 1.25 To M12 x 1.75	12mm	12mm	21mm	54mm	316 SS	NUT602M12EFXM12C
M12 x 1.25 To M12 x 1.75	12mm	12mm	21mm	54mm	Alum	NUT720M12EFXM12C
M12 x 1.5 To M12 x 1.75	12mm	12mm	21mm	54mm	18-8 SS	NUT601M12FXM12C
M12 x 1.5 To M12 x 1.75	12mm	12mm	21mm	54mm	316 SS	NUT602M12FXM12C
M12 x 1.5 To M12 x 1.75	12mm	12mm	21mm	54mm	Alum	NUT720M12FXM12C
M12 x 1.75 To M16 x 2	12mm	16mm	21mm	54mm	18-8 SS	NUT601M12XM16
M12 x 1.75 To M16 x 2	12mm	16mm	21mm	54mm	316 SS	NUT602M12CXM16C
M12 x 1.75 To M16 x 2	12mm	16mm	21mm	54mm	Alum	NUT720M12CXM16C



## Round Thread Adapters

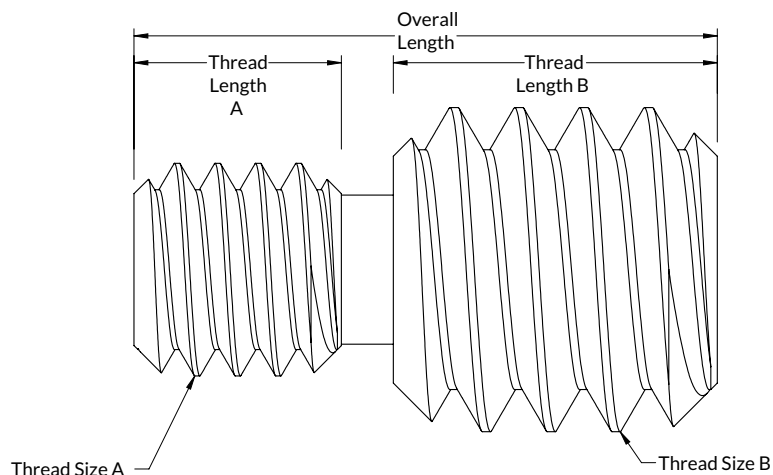
Brass

### Product Information

These Male-Male Thread Adapters are available in Inch-to-Inch, Inch-to-Metric, and Metric-to-Metric sizes.

Use them to position components in an assembly, or to create space between parts. Change inch threads to metric with these adapters, or swap metric threads for inch. You can also use them to increase or reduce your thread size, or to create space between parts in an assembly.

- AMPG products are made in the USA, precision machined from DFARS compliant material, and lot traceable.
- Brass material adheres to environmental regulations established by European Union RoHS directive. Current RoHS exemption allows alloying element containing up to 4% lead by weight.



System of Measurement	Thread Size (A)	Thread Size (B)	Thread Lg (A)	Thread Lg (B)	Thread Fit (A)	Thread Fit (B)	Thread Spacing (A & B)	AMPG Brass Part Number
Metric-to-Metric	M4 x 0.7	M6 x 1	13/64 (5.2mm)	1/4 (6.4mm)	Class 6g	Class 6g	Coarse	ZTAERM4CXM6C-BR
Inch-to-Metric	8-32	M6 x 1	13/64	1/4 (6.4mm)	Class 2A	Class 6g	Coarse	ZTAER8CXM6C-BR
Inch-to-Inch	8-32	1/4-20	13/64	1/4	Class 2A	Class 2A	Coarse	ZTAER8CX14C-BR
Inch-to-Metric	1/4-20	M4 x 0.7	1/4	13/64 (5.2mm)	Class 2A	Class 6g	Coarse	ZTAER14CXM4C-BR
Inch-to-Metric	8-32	M4 x 0.7	3/16	3/16 (4.8mm)	Class 2A	Class 6g	Coarse	ZTAER8CXM4C-BR
Inch-to-Metric	1/4-20	M6 x 1	1/4	1/4 (6.4mm)	Class 2A	Class 6g	Coarse	ZTAER14CXM6C-BR

## Male-Female Slotted Adapters

18-8 SS, Brass | Slotted

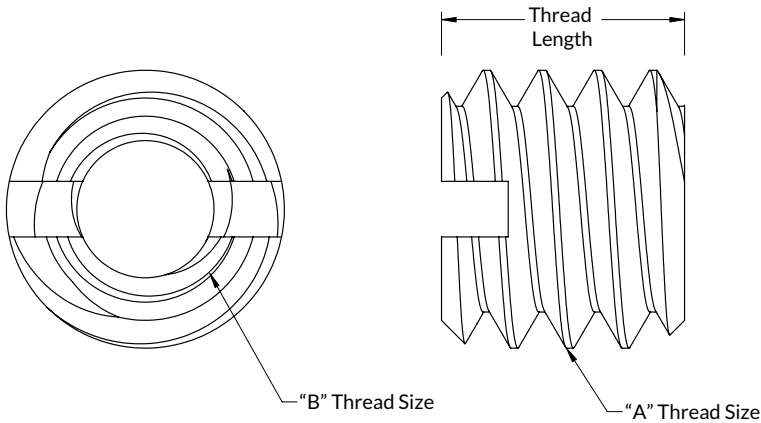


### Product Information

These Male-Female Hex Thread Adapters are available in Inch-to-Inch, Inch-to-Metric, and Metric-to-Metric sizes.

Use these to position components in an assembly, or to create space between parts. Change inch threads to metric with these adapters, or swap metric threads for inch. You can also use them to increase or reduce your thread size, or to create space between parts in an assembly.

- AMPG products are made in the USA, precision machined from DFARS compliant material, and lot traceable.
- 18-8 stainless steel adapters have good chemical resistance and maybe mildly magnetic.
- Brass material adheres to environmental regulations established by European Union RoHS directive. Current RoHS exemption allows alloying element containing up to 4% lead by weight.
- 18-8 SS material adheres to environmental regulations established by European Union RoHS directive.



### 18-8 SS

System of Measurement	Thread Size (A)	Thread Size (B)	Thread Length	Thread Fit (A)	Thread Fit (B)	Thread Spacing (A & B)	AMPG 18-8 SS Part Number
Metric-to-Inch	M6 x 1	8-32	1/4 (6.4mm)	Class 6g	Class 2B	Coarse	ZTARM6CX8C-188
Inch-to-Inch	1/4-20	8-32	1/4	Class 2A	Class 2B	Coarse	ZTAR14CX8C-188
Inch-to-Inch	8-32	2-56	1/4	Class 2A	Class 2B	Coarse	ZTAR8CX2C-188
Metric-to-Metric	M4 x 0.7	M2 x 0.4	1/4 (6.4mm)	Class 6g	Class 6H	Coarse	ZTARM4CXM2C-188
Metric-to-Metric	M6 x 1	M4 x 0.7	1/4 (6.4mm)	Class 6g	Class 6H	Coarse	ZTARM6CXM4C-188
Inch-to-Metric	1/4-20	M4 x 0.7	1/4	Class 2A	Class 6H	Coarse	ZTAR14CXM4C-188

### Brass

System of Measurement	Thread Size (A)	Thread Size (B)	Thread Length	Thread Fit (A)	Thread Fit (B)	Thread Spacing (A & B)	AMPG Brass Part Number
Inch-to-Inch	1/4-20	8-32	7/32	Class 2A	Class 2B	Coarse	ZTAR14CX8C-BR



### Longevity

Since 1987, Accurate Manufactured Products Group (AMPG) has been a stocking manufacturer of precision components, hard-to-find fasteners and industrial products.



### Strategic Location

AMPG's 163,000 square foot facility is located in the Heart of the Midwest which gives us access to high-quality machinists/employees as well as being strategically located for fast delivery.



### Advanced Equipment

Our manufacturing facility operates 24/7, producing precision parts on state-of-the-art CNC Swiss Lathes. Parts are made from high quality materials with a superior machined finish.



### Superior Quality

Our advanced electronic Quality Control systems are employed on the manufacturing floor to catch trends before bad parts are produced.





ACCURATE  
MANUFACTURED  
PRODUCTS  
GROUP



Visit us online at [ampg.com](http://ampg.com) or email [sales@ampg.com](mailto:sales@ampg.com)

8090 Woodland Drive  
Indianapolis, IN 46278

p: 317.472.9000  
f: 317.472.9010

### Follow Us On Social Media



@AMPG.USA



@AMPG\_USA



@ampg\_design



@AMPG